

Ansamblu complet compresor cu surub LS-DDNC

Sistem de transmisie directa pentru spatii mici fara sistem de racire

- Cel mai usor si mai mic sistem de transmisie directa.
- Sistem complet gata de instalare.
- Acesta poate fi instalat in spatele rezervorului de motorina (spatiu maxim necesar 330 mm)

B 600

250 - 600 m³/ora

MISTRAL

365 - 750 m³/ora

TYPHON II

500 - 1130 m³/ora

B 600 20R LS-DDNC



Spatiu mic

Lungime: 319 mm - Inaltime: 790 mm
Latime: 717 mm

TYPHON II 13R/15L LS-DDNC





Spatiu mic

Lungime: 319 mm - Inaltime: 790 mm
Latime: 717 mm



Ansamblu complet compresor cu surub LS-DDNC

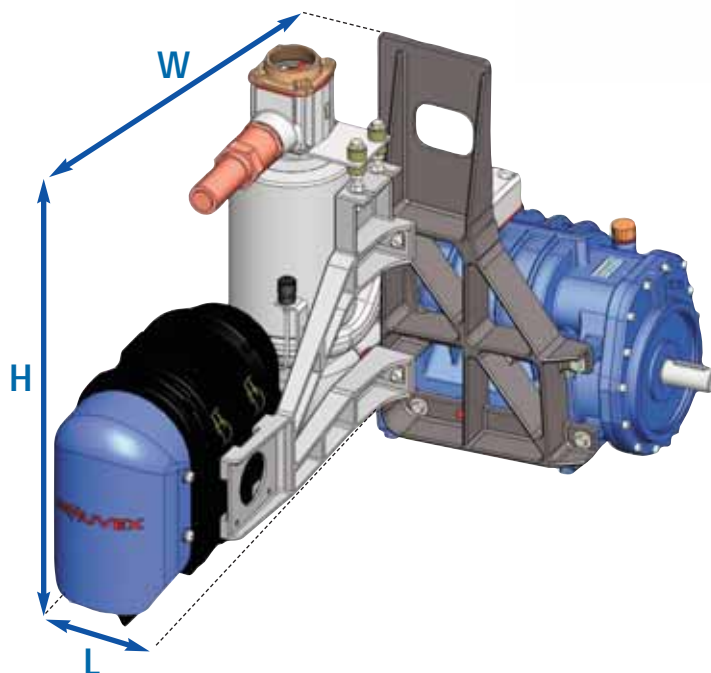
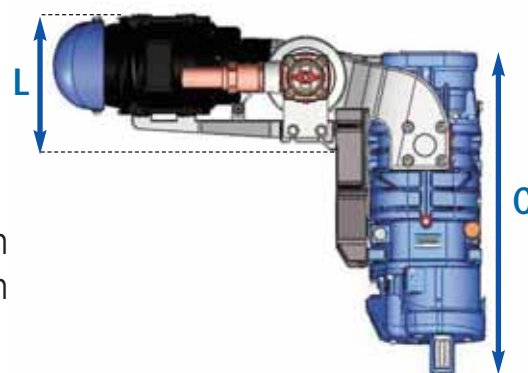
Tip compresor			B 600		MISTRAL		TYPHON II	
Versiune compresor			20R 30R	13R/15L 19R/22L	20R 30R	13R/15L 19R/22L	20R 30R	13R/15L 19R/22L
Debit		m ³ /ora	250 - 600		365 - 750		500 - 1130	
Masa	-	kg	151	181	176	206	204	234
Inaltime	H	mm	max. 790					
Lungime	L	mm	319					
Latime	W	mm	717					
Lungime compresor	C	mm	549	686	587	723	664	799

20R/CW 1600 - 2000 rpm
30R/CW 2400 - 3000 rpm
 Viteza pentru 2,5 bar max.

13R/CW 1040 - 1300 rpm
19R/CW 1560 - 1950 rpm

15L/CCW 1200 - 1500 rpm
22L/CCW 1800 - 2250 rpm



MOUVEX
 Part of Pump Solutions Group
 A DOVER COMPANY

Mouvex isi rezerva dreptul de a modifica informatiile si ilustratiile continute in acest document fara notificare prealabila. Acesta este un document non-contractual. Tiparit in Franta de catre Filigrane © 2009 Mouvex

ZI la Plaine des Isles
 rue des Caillottes
 89000 AUXERRE - FRANCE
 T + 33.3.86.49.86.30
 F + 33.3.86.46.42.10
 contact@mouvex.com

MOUVEX
 MEMBER OF
PSG
 PUMP SOLUTIONS GROUP
 A DOVER COMPANY



Engineering Energy Solution

Distribuit de:

Sos. Bucuresti-Alexandria, nr. 544,
 km. 14, Bragadiru, jud. Ilfov

www.mouvex.com