

TILE LEVEL

CARACTERÍSTICAS TÉCNICAS TECHNICAL CHARACTERISTICS



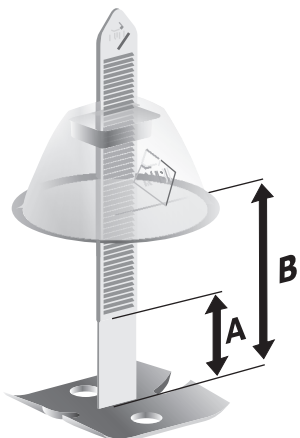
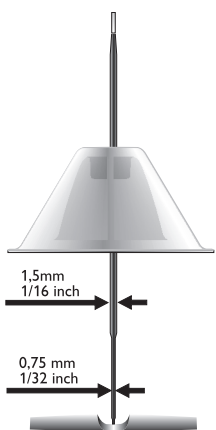
Ref.	
02981	100



Ref.	
02980	100



Ref.		
02982	13mm 17/32 inch	1



	màx.
A	20mm · 13/16 inch
B	40mm · 1 19/32 inch

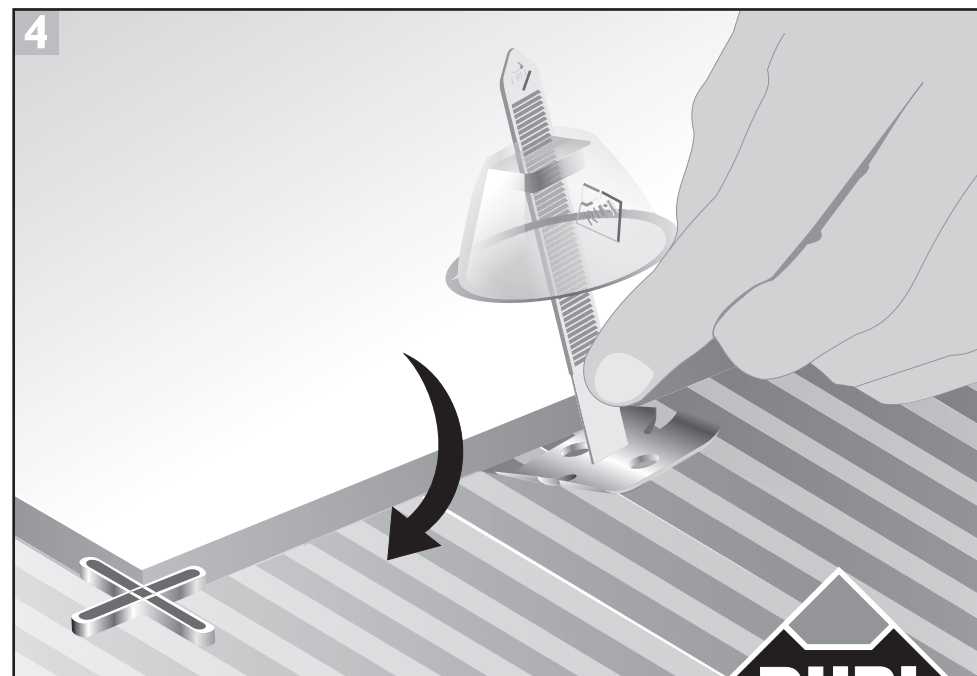
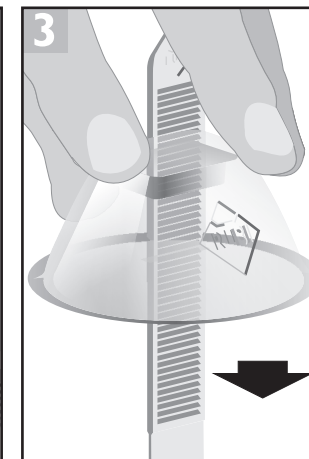
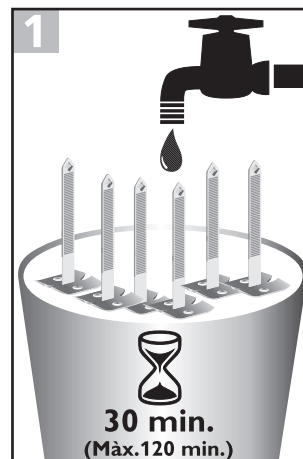


	cm	30x30	33x33	40x40	45x45	50x50	60x60	80x80	60x30	100x50	120x60
	inch	12x12	13x13	16x16	18x18	20x20	24x24	32x32	24x12	40x20	48x24
	m ²	42	36	20	28	24	10	10	22	16	10
	sq.ft.	4	4	2	2,5	2	1	1	2	1,6	1

Ref02164 Y6

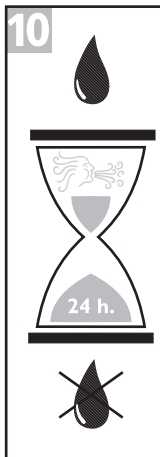
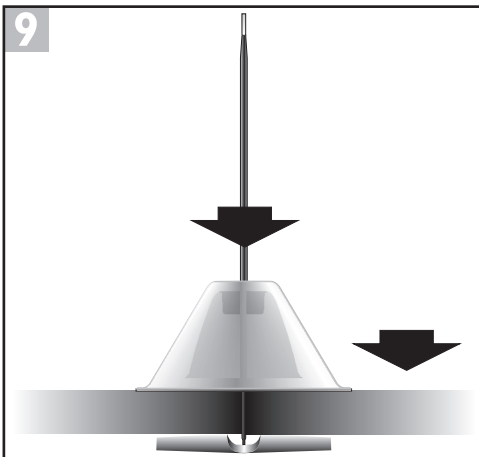
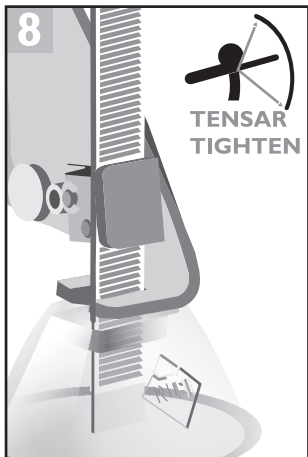
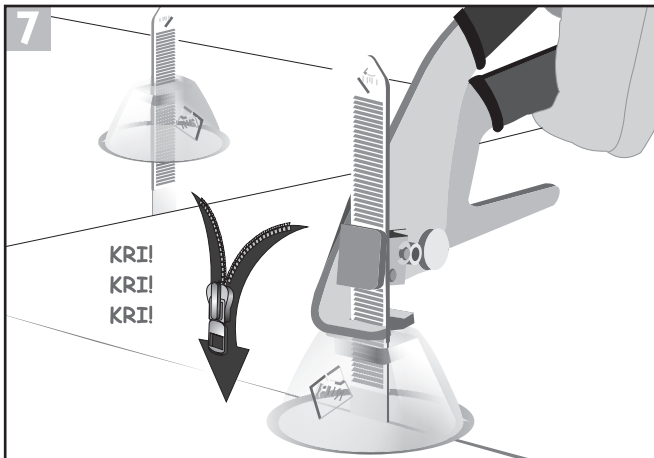
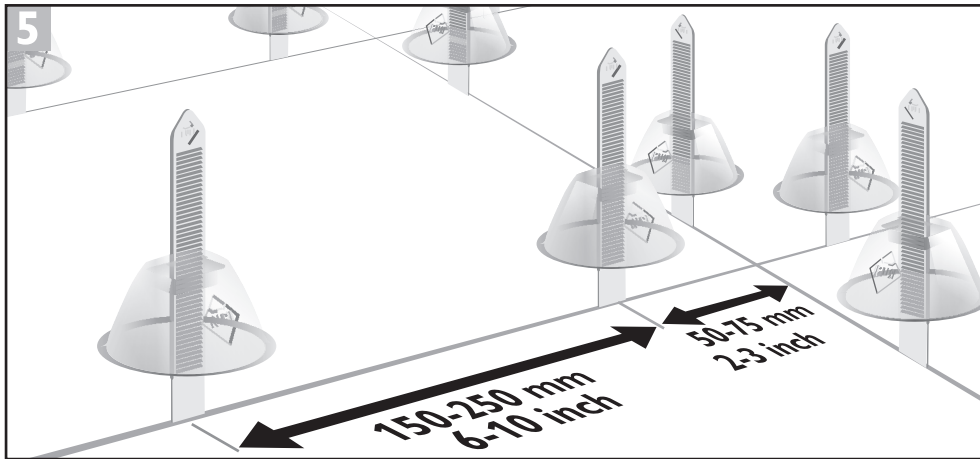
TILE LEVEL

INSTRUCCIONES DE USO INSTRUCTIONS FOR USE



RUBI

TILE LEVEL



TILE LEVEL

