

Customer
 Date 10.06.2018
 Project
 Reference
 Quotation No

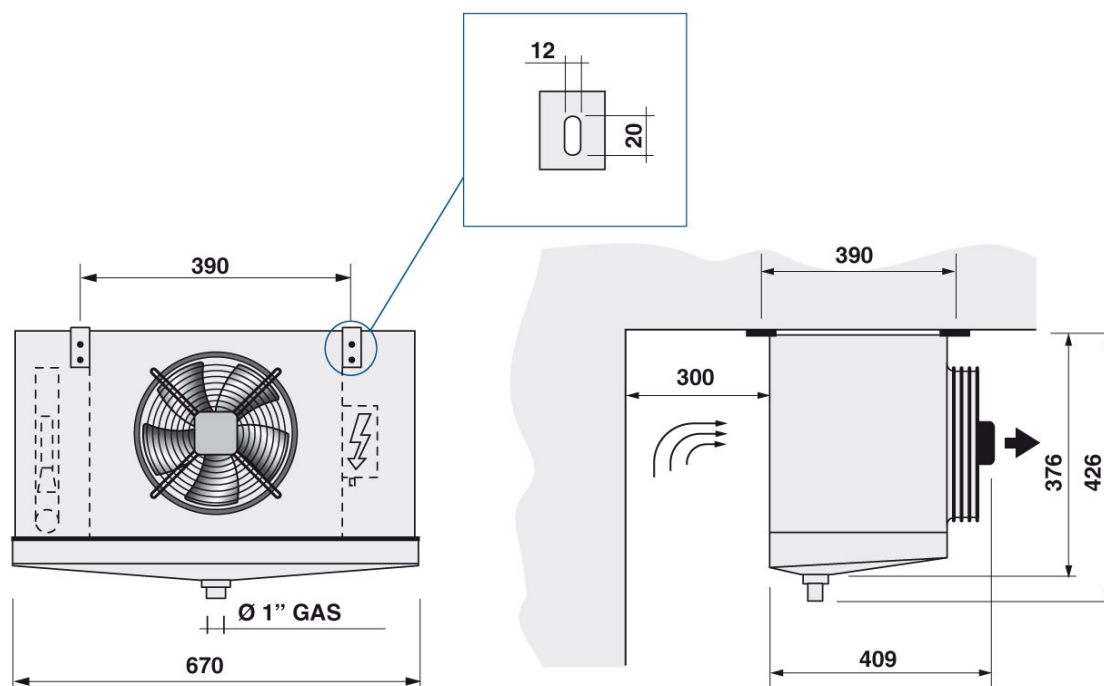


Stefani S.p.A.
 Via del Lavoro, 9
 Castegnero (VI) - ITALY
 Tel. +39 0444 639 999
 Fax. +39 0444 638 240

EVAPORATOR

Model 1 x SHCP 025/1 E4 A 4S

Capacity	1,9 kW	Refrigerant	R404A
Air Inlet Temperature	0,0 °C	Evaporating Temperature	-8,0 °C
Air Outlet Temperature	-5,7 °C	Superheating	5 K
Relative Humidity In	83 %	Condensing Temp	40,0 °C
Relative Humidity Out	100 %	Subcooling	0 K
Altitude	0 m		
Air Flow	700 m³/h	RPM rate	100 %
Air throw	7,5 m	Fan Speed	1300 1/min
Number fans	1	Noise Power Level	62 dB(A)
Fan Diameter	250 mm	Noise Pressure Level ISO 3744	37 dB(A) at 5 m
Voltage	230 V	Power consumption	73 W
Frequency	50 Hz	Nominal Power	73 W
Power Supply	Single Phase	Nominal Current (*)	0,52 A
Available Static Pressure	0 Pa		
Surface	12,1 m²	Tubes	Copper
Internal Volume	1,4 dm³	Fins	Aluminium
Fin Spacing	4,0 mm	Casing	Aluminium Painted
Weight	18 kg	Length	670 mm
Connections IN	12 mm	Height	426 mm
Connections OUT	12 mm	Width	409 mm
		PS	30 bar
Defrosting	Air		



(*) Current consumption can be different due to the air temperature