



Clinical Review Monitor
RadiForce® MS231WT





2MP WIDE RadiForce®
MS231WT

58 cm (23") Multitouch Color LCD Monitor

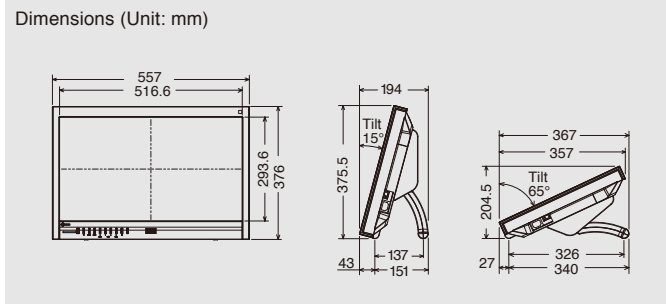
The RadiForce MS231WT offers a multitouch interface via Windows 7 that provides an intuitive way to use your applications with simple hand gestures. With its DICOM preset mode the RadiForce MS231WT is uniquely designed to meet the needs of a filmless environment where clinical records and medical DICOM images need to be displayed.

- Multitouch provides an intuitive way to use patient charting applications more like paper-based clinical records.
- Optical imaging touch panel technology accepts input from a bare or gloved hand as well as a touch pen.
- Grayscale tones adjusted at the factory to meet DICOM Part 14 for optimum viewing of medical DICOM images.
- CAL Switch function offers five user-selectable modes of individualized grayscale and brightness settings including DICOM preset modes.
- Anti-glare panel reduces ambient light reflections which makes the monitor suitable for use in brightly-lit rooms in clinics and hospitals.
- LaidBack stand offers added flexibility and viewing comfort.



Cabinet Color	Black, Gray-Black Two-Tone
Panel Type	TFT Color LCD Panel (VA)
Panel Size	58 cm / 23" (584 mm diagonal)
Display Size (H x V)	509.7 x 286.7 mm
Pixel Pitch	0.2655 x 0.2655 mm
Native Resolution	1920 x 1080 (16:9 aspect ratio)
Display Colors	16.77 million from a palette of 1.06 billion colors
Viewing Angles (H,V)	178°, 178°
Brightness (typical)	250 cd/m ²
Contrast Ratio (typical)	3000: 1
Touch Panel Type	Infrared Optical Imaging
Surface Hardness	5.5 Mohs
Compatible OS	Multi-touch: Windows 7 64-bit and 32-bit Single-touch: Windows Vista 64-bit and 32-bit
Communication Protocol	USB
Response Time (typical)	25 ms (On/Off), 7 ms (Midtone)
Scanning Frequency (H, V)	Digital: DVI 31 - 68 kHz, 59 - 61 Hz (VGA Text: 69 - 71 Hz), HDMI 15 - 68 kHz, 49 - 61 Hz (VGA Text: 69 - 71 Hz) Analog: 31 - 81 kHz, 55 - 76 Hz Frame synchronous mode: 49 - 61 Hz
Dot Clock	Digital: 148.5 MHz, Analog: 148.5 MHz
Input Terminals	DVI-D x 1, HDMI x 1, D-Sub mini 15 pin x 1
Sync Formats	Separate
USB Ports / Standard	1 upstream for touch panel control / Rev. 2.0
Power Requirements	AC 100 - 120 V, 200 - 240 V: 50 / 60 Hz
Power Consumption / Save Mode	45 W / Less than 1.3 W
Power Management	Digital: DVI DMPM, Analog: VESA DPM

Sensor	Backlight Sensor, Ambient Light Sensor
OSD Languages	English, German, French, Italian, Japanese, Simplified Chinese, Spanish, Swedish, Traditional Chinese
Net Weight (With Stand / Without Stand)	7.7 kg / 6.9 kg
Hole Spacing	VESA standard 100 x 100 mm
Certifications and Standards	J60950, EN60950-1, CE (Low Voltage Directive, EMC Directive), UL60950-1, CSA C22.2 No. 60950-1, IEC60950-1, VCCI-B, FCC-B, Canadian ICES-003-B, C-tick, RoHS, CCC, GOST-R
Supplied Accessories	AC power cord, signal cables (DVI-D ~ DVI-D, D-Sub mini 15 pin ~ D-Sub mini 15 pin), USB cable, audio cable, touch pen, Utility Disk (user's manual), cleaning cloth, 4 screws for mount option, warranty card
Warranty	Three Years



EIZO NANAO CORPORATION

153 Shimokashiwano, Hakusan, Ishikawa 924-8566 Japan
Phone +81-76-277-6792 Fax +81-76-277-6793

radiforce.com

All product names are trademarks or registered trademarks of their respective companies. EIZO, RadiForce, FlexScan, ScreenManager, RadiCS and RadiNET are registered trademarks of Eizo Nanao Corporation. Specifications are subject to change without notice.