

# Let's start with the PRIMA

A solution that only a pioneer can offer





# A simple reader unit but with proven image quality and product durability.



## Compact footprint, only 0.24m<sup>2</sup>

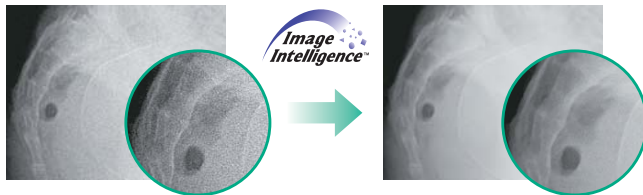
The FCR PRIMA is one of the most compact and lightweight reader units on the market. The required space is comparatively smaller than other similar table-top systems and can be installed in any open space. Another advantage of this unit is that you don't need a darkroom any longer.



## Stable and optimized images

Image Intelligence™ from Fujifilm is an integration of various digital image processing technologies to enhance the contrast and sharpness of the entire image without any risk of losing the image details. With the Image Intelligence™ technology, you can now obtain stable, optimized, and high-quality images.

FNC (Flexible Noise Control)



## Flexible reading in various sizes

The IP cassette can read various imaging sizes such as for the chest, lumbar spine, pantomography (15 x 30cm\*), and extremities. Virtually all imaging requirements can be satisfied with a single unit.



\*Optional (To be chosen at the time of purchase)

## Durability that we can be proud of

The FCR systems have proven to be day-in and day-out reliable, thanks to the well-designed product design features and the built-in redundancy that prevents problems before they occur. Working with the proven durability of FCR, it will provide maximum uptime for your medical facilities.

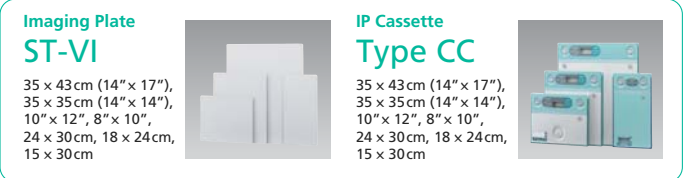
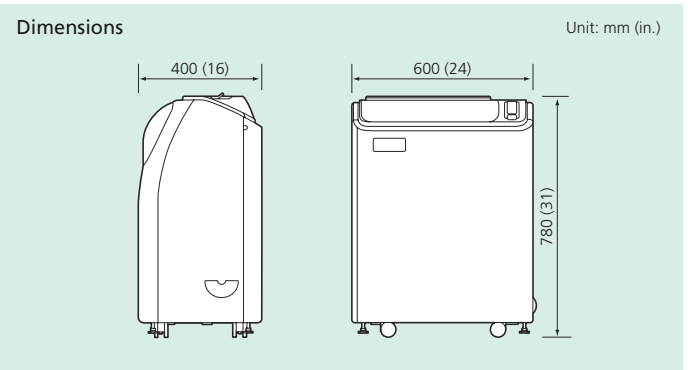
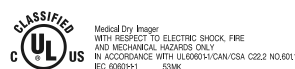
## Other features

- Throughput of up to 29 images an hour
- Repeated use of IP

## FCR PRIMA Specifications

|                                |  |
|--------------------------------|--|
| Standard Components            | FCR PRIMA Image Reader (Model: CR-IR 391RU)<br>AC power cord   |
| Other System Components        | IP cassette type CC<br>FCR PRIMA Console, FCRView<br>Dry Imager: DRYPIX PRIMA, DRYPIX 2000, 4000, 7000   |
| Supplies                       | Imaging Plate ST-VI:<br>35 x 43 cm (14" x 17"), 35 x 35 cm (14" x 14"), 10" x 12",<br>8" x 10", 24 x 30 cm, 18 x 24 cm, 15 x 30 cm<br>IP Cassette Type CC:<br>35 x 43 cm (14" x 17"), 35 x 35 cm (14" x 14"), 10" x 12",<br>8" x 10", 24 x 30 cm, 18 x 24 cm, 15 x 30 cm |
| Time Required for IP Feed/Load | Min. 125 sec.  |
| Processing Capacity            | Up to 29 IPs/hr.   |
| Time to Start on Display       | Min. 23 sec.   |
| Time to Print on DRYPIX PRIMA  | Approx. 200 sec. in case of 35 x 43 cm<br>Approx. 190 sec. in case of 35 x 35 cm   |
| Number of Stacker              | 1  |
| Network                        | 10 Base T/100 Base TX  |
| Dimensions (W x D x H)         | 600 x 400 x 780 mm (24" x 16" x 31")   |
| Weight                         | 70 kg (154 lbs.)   |
| Power Supply Conditions        | Single phase 50-60Hz<br>AC100-240V ±10% 5A (max)   |
| Environmental Conditions       | Operating Conditions:<br>• Temperature: 15-30°C<br>• Humidity: 15-80%RH (No dew condensation)<br>• Atmospheric pressure: 750-1060 hPa  |

This equipment is a Class 1 laser product (IEC60825).



Specifications are subject to change without notice.  
All brand names or trademarks are the property of their respective owners.  
In some countries, regulatory approval may be required to import medical devices.  
For the availability of these products, please contact your local sales representatives.

# FUJIFILM

FUJIFILM Corporation

26-30, NISHIAZABU 2-CHOME, MINATO-KU, TOKYO 106-8620, JAPAN  
http://www.fujifilm.com/products/medical/

Ref. No. XB-964E (SK-09-05-F1120-F9711) Printed in Japan ©2009 FUJIFILM Corporation