

service

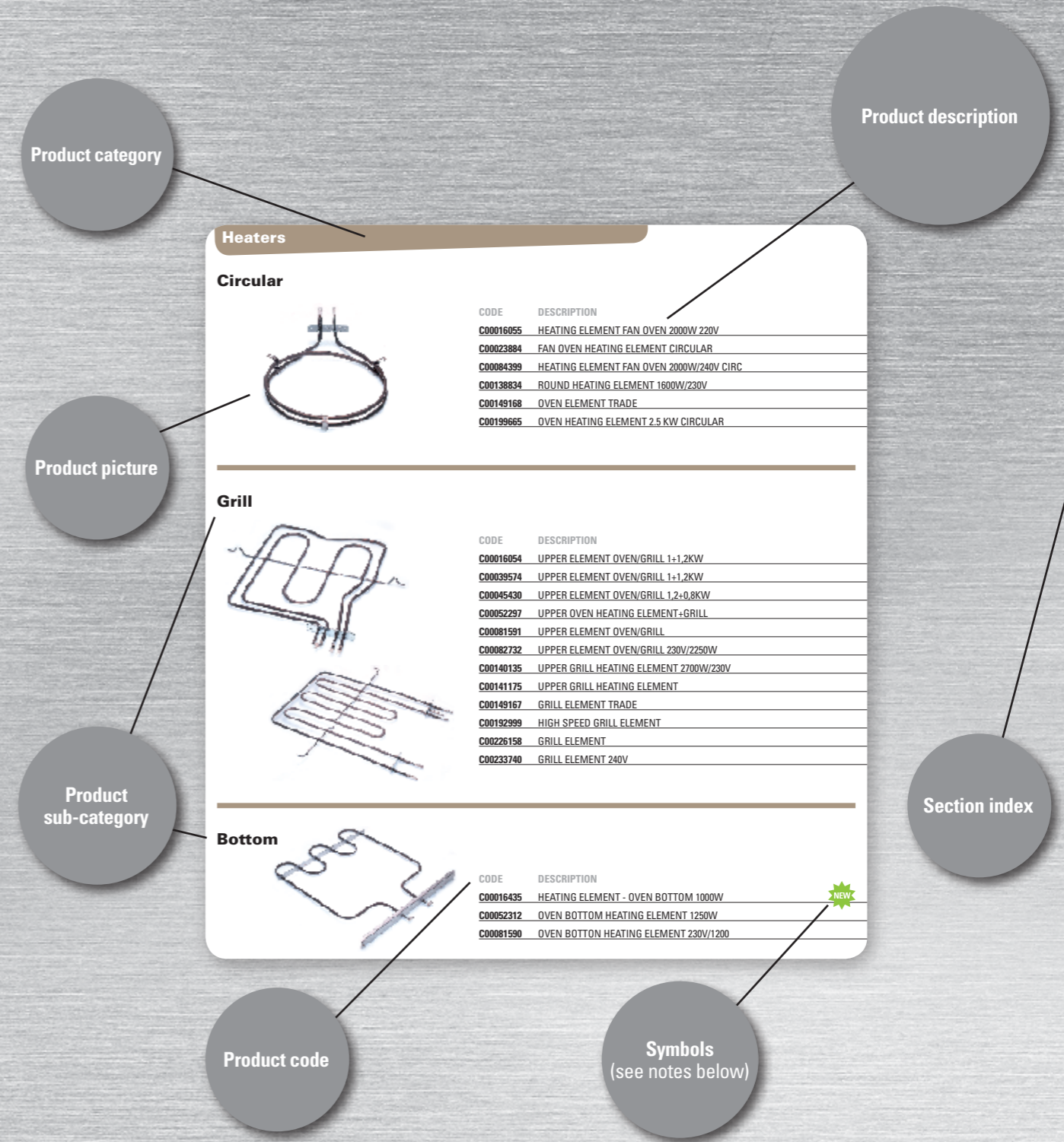



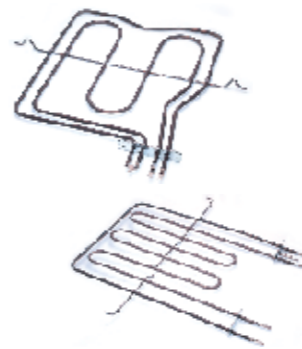

Spares and Accessories

service



Reference guide



Heaters																											
Circular																											
	<table border="1"> <thead> <tr> <th>CODE</th> <th>DESCRIPTION</th> </tr> </thead> <tbody> <tr> <td>C00016055</td> <td>HEATING ELEMENT FAN OVEN 2000W 220V</td> </tr> <tr> <td>C00023884</td> <td>FAN OVEN HEATING ELEMENT CIRCULAR</td> </tr> <tr> <td>C00084399</td> <td>HEATING ELEMENT FAN OVEN 2000W/240V CIRC</td> </tr> <tr> <td>C00138834</td> <td>ROUND HEATING ELEMENT 1600W/230V</td> </tr> <tr> <td>C00149168</td> <td>OVEN ELEMENT TRADE</td> </tr> <tr> <td>C00199665</td> <td>OVEN HEATING ELEMENT 2.5 KW CIRCULAR</td> </tr> </tbody> </table>	CODE	DESCRIPTION	C00016055	HEATING ELEMENT FAN OVEN 2000W 220V	C00023884	FAN OVEN HEATING ELEMENT CIRCULAR	C00084399	HEATING ELEMENT FAN OVEN 2000W/240V CIRC	C00138834	ROUND HEATING ELEMENT 1600W/230V	C00149168	OVEN ELEMENT TRADE	C00199665	OVEN HEATING ELEMENT 2.5 KW CIRCULAR												
CODE	DESCRIPTION																										
C00016055	HEATING ELEMENT FAN OVEN 2000W 220V																										
C00023884	FAN OVEN HEATING ELEMENT CIRCULAR																										
C00084399	HEATING ELEMENT FAN OVEN 2000W/240V CIRC																										
C00138834	ROUND HEATING ELEMENT 1600W/230V																										
C00149168	OVEN ELEMENT TRADE																										
C00199665	OVEN HEATING ELEMENT 2.5 KW CIRCULAR																										
Grill																											
	<table border="1"> <thead> <tr> <th>CODE</th> <th>DESCRIPTION</th> </tr> </thead> <tbody> <tr> <td>C00016054</td> <td>UPPER ELEMENT OVEN/GRILL 1+1,2KW</td> </tr> <tr> <td>C00039574</td> <td>UPPER ELEMENT OVEN/GRILL 1+1,2KW</td> </tr> <tr> <td>C00045430</td> <td>UPPER ELEMENT OVEN/GRILL 1,2+0,8KW</td> </tr> <tr> <td>C00052297</td> <td>UPPER OVEN HEATING ELEMENT+GRILL</td> </tr> <tr> <td>C00081591</td> <td>UPPER ELEMENT OVEN/GRILL</td> </tr> <tr> <td>C00082732</td> <td>UPPER ELEMENT OVEN/GRILL 230V/2250W</td> </tr> <tr> <td>C00140135</td> <td>UPPER GRILL HEATING ELEMENT 2700W/230V</td> </tr> <tr> <td>C00141175</td> <td>UPPER GRILL HEATING ELEMENT</td> </tr> <tr> <td>C00149167</td> <td>GRILL ELEMENT TRADE</td> </tr> <tr> <td>C00192999</td> <td>HIGH SPEED GRILL ELEMENT</td> </tr> <tr> <td>C00226158</td> <td>GRILL ELEMENT</td> </tr> <tr> <td>C00233740</td> <td>GRILL ELEMENT 240V</td> </tr> </tbody> </table>	CODE	DESCRIPTION	C00016054	UPPER ELEMENT OVEN/GRILL 1+1,2KW	C00039574	UPPER ELEMENT OVEN/GRILL 1+1,2KW	C00045430	UPPER ELEMENT OVEN/GRILL 1,2+0,8KW	C00052297	UPPER OVEN HEATING ELEMENT+GRILL	C00081591	UPPER ELEMENT OVEN/GRILL	C00082732	UPPER ELEMENT OVEN/GRILL 230V/2250W	C00140135	UPPER GRILL HEATING ELEMENT 2700W/230V	C00141175	UPPER GRILL HEATING ELEMENT	C00149167	GRILL ELEMENT TRADE	C00192999	HIGH SPEED GRILL ELEMENT	C00226158	GRILL ELEMENT	C00233740	GRILL ELEMENT 240V
CODE	DESCRIPTION																										
C00016054	UPPER ELEMENT OVEN/GRILL 1+1,2KW																										
C00039574	UPPER ELEMENT OVEN/GRILL 1+1,2KW																										
C00045430	UPPER ELEMENT OVEN/GRILL 1,2+0,8KW																										
C00052297	UPPER OVEN HEATING ELEMENT+GRILL																										
C00081591	UPPER ELEMENT OVEN/GRILL																										
C00082732	UPPER ELEMENT OVEN/GRILL 230V/2250W																										
C00140135	UPPER GRILL HEATING ELEMENT 2700W/230V																										
C00141175	UPPER GRILL HEATING ELEMENT																										
C00149167	GRILL ELEMENT TRADE																										
C00192999	HIGH SPEED GRILL ELEMENT																										
C00226158	GRILL ELEMENT																										
C00233740	GRILL ELEMENT 240V																										
Bottom																											
	<table border="1"> <thead> <tr> <th>CODE</th> <th>DESCRIPTION</th> </tr> </thead> <tbody> <tr> <td>C00016435</td> <td>HEATING ELEMENT - OVEN BOTTOM 1000W ★</td> </tr> <tr> <td>C00052312</td> <td>OVEN BOTTOM HEATING ELEMENT 1250W</td> </tr> <tr> <td>C00081590</td> <td>OVEN BOTTOM HEATING ELEMENT 230V/1200</td> </tr> </tbody> </table>	CODE	DESCRIPTION	C00016435	HEATING ELEMENT - OVEN BOTTOM 1000W ★	C00052312	OVEN BOTTOM HEATING ELEMENT 1250W	C00081590	OVEN BOTTOM HEATING ELEMENT 230V/1200																		
CODE	DESCRIPTION																										
C00016435	HEATING ELEMENT - OVEN BOTTOM 1000W ★																										
C00052312	OVEN BOTTOM HEATING ELEMENT 1250W																										
C00081590	OVEN BOTTOM HEATING ELEMENT 230V/1200																										

Symbology



NEW CODES

TOP SELLING CODES

REPLACED BY A NEW CODE

service



Cooking
Cooling
Dishwashing
Dryers
Home
Washing

Index

Cooking

Burner caps	8
Burners	8
Capacitors	8
Commutators	9
Electric hotplates	9
Fan motors	11
Flame splitters	11
Gaskets	12
Grids	12
Harnesses & cables	12
Heaters	13
Hinges	13
Injectors	14
Lamps	15
Lamp holders	15
Magnetron	15
Modules	15
Potentiometers	15
Small parts	16
Sparkling plugs	16
Taps	16
Thermocouples	17
Thermostats	17
Timer	17
Other	17
Carbon Filters	18
Grease Filters	26
Metal Grease Filters	26
Detergents	
and other accessories	30

Cooling

Basins	36
Capacitors	36
Compressors ACC	36
Cooling baskets	37

Dishwashing

Crispers	37
Electrovalves	37
Fan motors	38
Filters molecular	38
Filters water refrigeration	38
Flaps	38
Handles	38
Heaters	39
Hinges	39
Ice bacins	39
Lamps	39
Lockring	39
Probes	40
Shelves	40
Small parts	40
Thermostats	40
Other	41
Detergents	
and food preservation	42
Baskets Dish W.	46
Buttons	46
Commutators	46
Cutlery baskets	46
Drain pumps	46
Electro containers	47
Electro pumps	47
Electrovalves	47
Gaskets	48
Handles	48
Heaters	48
Hinges	49
Impellers	49
Lamps	49
Locking assembly	49

Dryers

Pipes	49
Pressure switches	50
Salt containers	50
Small parts	50
Switches	51
Thermostats	51
Timer	51
Washing filters	52
Other	52
Detergents	
and other accessories	53
Bearings	58
Belts	58
Blower fan	58
Capacitors	58
Door handles	58
Door switch	59
Drain pumps	59
Filters	59
Heaters	59
Hinges	59
Pipes dryer	60
Small parts	60
Thermostats	60
Washing motors	60
Other	60

Washing

Bearings	64
Belts	65
Capacitors	66
Commutators	66
Door gaskets	67
Door handles	67
Door switch	68

Home

Drain pumps	68
Electrovalves	69
Fan motors	69
Frames	70
Gaskets	70
Glass doors	70
Harnesses & cables	70
Heaters	70
Hinges	71
Knobs	71
Modules	72
Motor brushes	72
Pipes	73
Pressure switches	73
Probes	74
Pulleys	74
Shock absorbers	74
Small parts	75
Star wheels	75
Suppressors	76
Switches	76
Thermostats	76
Timer	76
Washing motors	77
Other	78
Detergents	
and other accessories	79
Anode	84
Heaters	84
Lamps	84
Thermostats water heaters	84
Other	84
Home care	
and water treatment	85

Index

Burner caps	8	Magnetron	15
Burners	8	Modules	15
Capacitors	8	Potentiometers	15
Commutators	9	Small parts	16
Electric hotplates	9	Sparkling plugs	16
Fan motors	11	Taps	16
Flame splitters	11	Thermocouples	17
Gaskets	12	Thermostats	17
Grids	12	Timer	17
Harnesses & cables	12	Other	17
Heaters	13	Carbon Filters	18
Hinges	13	Grease Filters	26
Injectors	14	Metal Grease Filters	26
Lamps	15	Detergents and other accessories	30
Lamp holders	15		



Cooking

Burner Caps



CODE	DESCRIPTION
C00032428	BURNER CAP - LARGE BURNER BLACK
C00032429	BURNER CAP - MEDIUM BURNER BLACK
C00032430	BURNER CAP - SMALL BURNER BLACK
C00052931	BURNER CAP RAPIDE (LARGE) BLACK
C00052932	BURNER CAP SEMI RAPIDE (MEDIUM) BLACK
C00052933	BURNER CAP AUXILIARY (SMALL) BLACK
C00053174	OUTER BURNER CAP BLACK WORK TRIPLE BURNE
C00053175	BURNER CAP (CENTRE DISC)TRIPLE BLACK
C00147168	BURNER CAP DISC

Burners



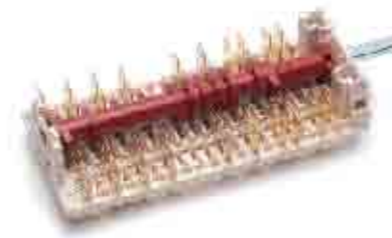
CODE	DESCRIPTION
C00052928	BURNER RING/FLAME SPLITTER - LARGE
C00052929	BURNER RING - MEDIUM
C00052930	BURNER BASE/FLAME SPLITTER - SMALL BURNE
C00053173	BURNER BASE/FLAME SPLITTER - TRIPLE BURNE
C00097490	BURNER BASE - OVAL BURNER
C00111759	BURNER BASE/FLAME SPLITTER - LARGE BURNE
C00113443	BURNER BASE/FLAME SPLITTER -TRIPLE BURNE
C00119171	BURNER BASE/FLAME SPLIT. - TRIPLE 3.8KW
C00146754	OVEN BURNER BODY
C00147149	BURNER RING BRASS
C00148345	PILOT BURNER HEAD
C00240146	BURNER RING RAPIDE (LARGE)
C00244399	PILOT BURNER ASSY
C00254064	BURNER KIT RAPIDE (LARGE)
C00260677	BURNER BASE/FLAME SPLITTER MINI WOK

Capacitors



CODE	DESCRIPTION
C00254925	CONDENSER 1uF

Commutators



CODE	DESCRIPTION
C00013413	ENERGY REGULATOR (HOTPLATE) 6+0 POSITION
C00019090	ENERGY REGULATION SWITCH - 13A/240V 125
C00022195	SELECTOR SWITCH
C00037056	ENERGY REGULATOR GRILL/HOTPLATES 220V
C00049824	ROTARY SWITCH 7 POS TERMS SIDE - HOTPLAT
C00075092	ELECTRIC COMMUTATOR FOR PLATE
C00081774	ELECTRIC COMMUTATOR FOR PLATE
C00082508	COMMUTATOR
C00084790	KIT OVEN FUNCTION SWITCH DO.CO F2000
C00111090	COMMUTATOR ELECTR. OVEN (NEW C00278299)
C00114510	COMMUTATOR ELECTR. OVEN
C00117388	SWITCH PACK
C00134995	COMMUTATOR
C00141247	7 FUNCTIONS SELECTOR
C00196053	COMMUTATOR ELECTR. OVEN
C00196055	SWITCH PACK
C00196057	COMMUTATOR ELECTR. OVEN
C00252623	SWITCH PACK 5P

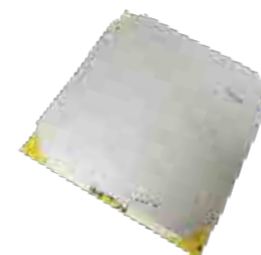
Electric Hotplates

Al ogen



CODE	DESCRIPTION
C00092132	HEATER 165-R8-12STD-VR1 1200W
C00093823	HEATER 2500W(1050)/230V
C00112372	HEATER, 2500W/230V
C00116271	HEATER HI-LIGHT HALO 220W-230V D=230
C00139053	HEATER 1700W/230V
C00228950	1800 HALOGEN ELEMENT
C00084563	ELECTRIC PLATE 1700 WATT
C00097108	HEATER, 600W 230V

Induction



CODE	DESCRIPTION
C00112311	HEATER, 1800W
C00115319	HEATER, 4KW
C00144308	HEATER, 1200W
C00144309	HEATER, 2400W
C00264830	HEATER 1400/1800W D150MM
C00264832	HEATER 2200/3000W D200MM

Protected



CODE	DESCRIPTION
C00030938	ELECTRIC PLATE D=180 220V 2KV
C00032607	ELEMENT 180MM 2KW LOW PROFILE
C00099674	ELECTRIC PLATE PROTECTED 145 1500W/230V
C00099676	ELECTRIC PLATE PROTECTED 180 2000W/230V
C00143455	ELECTRIC PLATE D145 1500W 230V
C00143457	ELECTRIC PLATE D180 2000W 230V
C00143461	ELECTRIC PLATE D180 2000W 230V

Radiant



CODE	DESCRIPTION
C00040848	HEATER 1100W/230V
C00081163	HEATING ELEMENT 1200W/240V
C00089645	HEATER, 2200W/1000W 230V
C00097003	HEATER, 2300W (1000W)
C00098934	HEATER, 2400W (1500W)
C00112415	HEATER 1800W/230V
C00139035	HEATER, 1200W/230V D=165
C00139036	HEATER, 1800W/230V D200
C00139041	HEATER, 1400W/230V
C00228943	CERAMIC ELEMENT 1800W (200MM)
C00228944	CERAMIC ELEMENT 1200W (165MM)
C00228948	TWIN CERAMIC ELEMENT 1500W (200MM)
C00259729	HEATER, HI-LI 1400W D180
C00261917	HEATER, 2200W/1000W 230V
C00265317	ELECTRIC PLATE EGO 10.58116.006 400V
C00265687	ELECTRIC PLATE EGO 10.74631.004
C00267111	ELECTRIC PLATE EGO2200W/1000W-380V 10.51
C00267112	ELECTRIC PLATE EGO1200W-380V 10.54116.0
C00267114	ELECTRIC PLATE EGO2300W-380V 10.51116.00
C00139043	HEATER, 2000W 230V
C00139052	HEATER 1200W/230V
C00139280	HEATER 2100W/230V
C00228861	1800W ELEMENT 200MM

Standard



CODE	DESCRIPTION
C00004876	ELECTRIC PLATE 120 ETA
C00030939	ELECTRIC PLATE D=145 220V 1500W
C00033379	HOTPLATE D145N.1000WATT 220V
C00034308	ELECTRIC PLATE 180 220V 1500 WATT
C00035740	ELECTRIC PLATE D=220 220V 2KV
C00057205	LOW PROFILE ELECTRIC PLATE 145R 230V 150

CODE	DESCRIPTION
C00081772	LOW PROFILE ELECTRIC PLATE 180R 230V 200
C00092194	HEATER 1800W 200 18STD-VR1-E-TH
C00099673	ELECTRIC PLATE NORMAL 145 1000W/230V
C00099675	ELECTRIC PLATE NORMAL 180 1500W/230V
C00143454	ELECTRIC PLATE D145 1000W 230V
C00143456	ELECTRIC PLATE D180 1500W 230V
C00143458	ELECTRIC PLATE D145 1000W 230V
C00143460	ELECTRIC PLATE D180 1500W 230V
C00196145	EGO HP 220 2000W 230V NORMAL 8mm P
C00196148	EGO HP 180 1500W 230V NORMAL 4mm P
C00196149	EGO HP 180 2000W 230V NORMAL 4mm P
C00196150	EGO HP 220 2000W 230V NORMAL 4mm P
C00252306	HOTPLATE 4MM RIM UNI
C00252307	HOTPLATE 8MM RIM UNI
C00252308	HOTPLATE 8MM RIM UNI
C00267116	ELECTRIC PLATE EGO2000W-380V 13.18463.05
C00270319	HEATER EGO 1500W 380V
C00271808	HEATER EGO 180mm 400V 2000W

Fan Motors



CODE	DESCRIPTION
C00081589	CIRCULATING FAN MOTOR 220-240V 30W
C00089130	COOLING FAN 220-240 V.
C00149132	UNIVERSAL FAN MOTOR
C00199560	MOTOR
C00230134	OVEN FAN MOTOR ASSY

Flame Splitters



CODE	DESCRIPTION
C00027167	FLAME SPLITTER - LARGE BURNER
C00027172	FLAME SPLITTER - MEDIUM BURNER
C00027179	FLAME SPLITTER - SMALL BURNER
C00032226	LARGE FLAME SPLITTER
C00032227	MEDIUM FLAME SPLITTER
C00032228	SMALL FLAME SPLITTER
C00033345	MEDIUM FLAME SPLITTER
C00034818	FLAME SPLITTER ULTRA RAPID
C00063702	BURNER BASE - AUXILIARY
C00104197	BURNER TAP /50

CODE	DESCRIPTION
C00104201	FLAME SPLITTER 50
C00104203	BURNER TAP /78
C00104207	FLAME SPLITTER 78
C00104208	BURNER TAP /90
C00104212	FLAME SPLITTER 90
C00104214	FLAME SPLITTER 37
C00136243	FLAME SPLITTER - LARGE
C00136244	FLAME SPLITTER MEDIUM

Gaskets



CODE	DESCRIPTION
C00027982	OVEN DOOR SEAL- 4 SIDES BROWN
C00081579	OVEN DOOR SEAL
C00199703	MAIN OVEN DOOR SEAL

Grids



CODE	DESCRIPTION
C00049947	OVEN SHELF
C00078398	OVEN SHELF (389X403MM)
C00085446	RID FOR 2 BURNERS 'STAR'
C00090879	GRID GHISA 190
C00098930	PAN STAND 2 PIN TYPE - SHINY BLACK
C00117378	GRILL PAN GRID (344X223MM)



Harnesses & Cables



CODE	DESCRIPTION
C00005156	TERMINAL BLOCK 40A

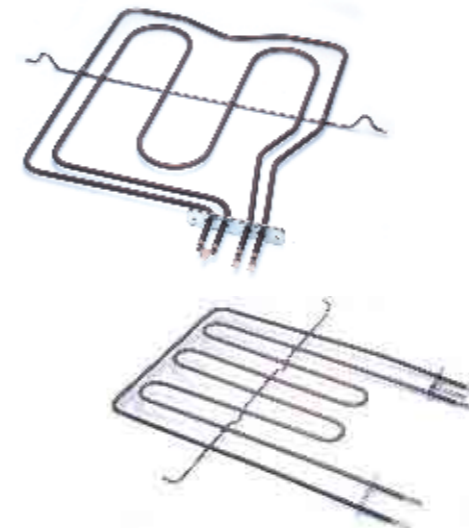
Heaters

Circular



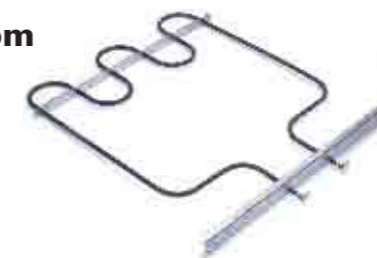
CODE	DESCRIPTION
C00016055	HEATING ELEMENT FAN OVEN 2000W 220V
C00023884	FAN OVEN HEATING ELEMENT CIRCULAR
C00084399	HEATING ELEMENT FAN OVEN 2000W/240V CIRC
C00138834	ROUND HEATING ELEMENT 1600W/230V
C00149168	OVEN ELEMENT TRADE
C00199665	OVEN HEATING ELEMENT 2.5 KW CIRCULAR

Grill



CODE	DESCRIPTION
C00016054	UPPER ELEMENT OVEN/GRILL 1+1,2KW
C00039574	UPPER ELEMENT OVEN/GRILL 1+1,2KW
C00045430	UPPER ELEMENT OVEN/GRILL 1,2+0,8KW
C00052297	UPPER OVEN HEATING ELEMENT+GRILL
C00081591	UPPER ELEMENT OVEN/GRILL
C00082732	UPPER ELEMENT OVEN/GRILL 230V/2250W
C00140135	UPPER GRILL HEATING ELEMENT 2700W/230V
C00141175	UPPER GRILL HEATING ELEMENT
C00149167	GRILL ELEMENT TRADE
C00192999	HIGH SPEED GRILL ELEMENT
C00226158	GRILL ELEMENT
C00233740	GRILL ELEMENT 240V

Bottom



CODE	DESCRIPTION
C00016435	HEATING ELEMENT - OVEN BOTTOM 1000W
C00052312	OVEN BOTTOM HEATING ELEMENT 1250W
C00081590	OVEN BOTTON HEATING ELEMENT 230V/1200

Hinges



CODE	DESCRIPTION
C00002821	CERNIERA PORTA F. RINFORZATA (740726) N.
C00016328	HINGE FOR OVEN DOOR
C00031925	OVEN DOOR HINGE-(ROLLER HINGE PIVOT)
C00033322	HINGE FOR OVEN DOOR 54 90 TR 38
C00037377	HINGE FOR OVEN DOOR MAXI
C00048108	OVEN DOOR HINGE (FIXED HINGE PIVOT)

CODE	DESCRIPTION
C00065923	HINGE FOR OVEN DOOR KIT
C00082464	DOOR HINGE
C00090677	OVEN DOOR HINGE
C00138862	DOOR HINGE
C00199565	MAIN OVEN DOOR HINGE WITH SADDLEBRACKET
C00223945	DROP DOWN HINGE
C00273784	KIT HINGES RH LH + SUPPORTS

Injectors



CODE	DESCRIPTION
C00057925	GAS JET KIT-TOWN GAS SINGAP.PH-PL SICUR.
C00109397	TRIPLE FAST BURNER NOZZLE GAS HK D280 DE

Methane



CODE	DESCRIPTION
C00021379	4 NOZZLE M6 SET METHANE GAS TABLE BURNER
C00021382	4 NOZZLE SET METHANE GAS BUILT-IN HOB H3
C00078775	KIT INJECTOR GAS METANO/BUTANO

Lpg



CODE	DESCRIPTION
C00021378	4 NOZZLE M6 SET LIQUID GAS FOR TABLE BUR
C00021381	4 NOZZLE SET LIQUID GAS BUILT-IN HOB H30
C00111156	JETS KIT LPG G30 29MBAR/G31 37MBAR C60
C00114463	JETS KIT FOR GN/LPG/GAS PL SABAF

Butane



CODE	DESCRIPTION
C00033835	GAS JET 70 - LPG/NG MEDIUM BURNER
C00052937	GAS JET 86 LPG - LARGE BURNER
C00052938	GAS JET 64 LPG - MEDIUM BURNER
C00052939	GAS JET 50 LPG - SMALL BURNER
C00053176	GAS JET 91 LPG - TRIPLE BURNER/WOK
	KIT NOZZLE SET LPG HOB'S

Lamps



CODE	DESCRIPTION
C00011117	OVEN LAMP 15/25W EDISON 27
C00015910	OVEN LAMP E14 220V 15W
C00045302	INDICATOR LIGHT
C00076978	OVEN LAMP 25W 220V

Lamp Holders



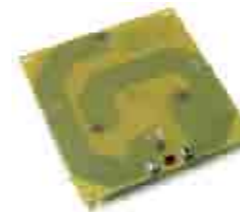
CODE	DESCRIPTION
C00038035	OVEN LAMP ASSEMBLY
C00050003	LAMP-HOLDER COMPLETE (NEW C00280056)
C00078426	LAMP ASSEMBLY 25 W 230 V
C00227297	LAMP COVER
C00252615	INTERIOR LIGHT ASSY 15W BJB

Magnetron



CODE	DESCRIPTION
C00138792	MAGNETRON
C00269451	MAGNETRON

Modules



CODE	DESCRIPTION
C00261712	HEATER, 1200W A1
C00261713	HEATER, 2400W A1

Potentiometers



CODE	DESCRIPTION
C00056412	ENERGY REGULATION DUAL 230V
C00098090	POTENTIOMETER 10 POS.
C00193532	POTENTIOMETER 9 POS. (BLUE OR WHITE)
C00199654	REGULATOR SINGLE
C00267117	ENERGY REGULATOR EGO220VSIMPLE ZONE

Small Parts



CODE	DESCRIPTION
C00011589	HINGE SUPPORTING PIECE
C00039148	RUBBER BUFFER FOR PAN SUPPORT
C00075434	RUBBER BUFFER - PAN SUPPORT
C00087885	CAP
C00136997	GAS SPRING 300N
C00121674	LPG ADAPTOR

Sparkling Plugs



CODE	DESCRIPTION
C00018102	SPARK IGNITION PLUG
C00052951	IGNITION ELECTRODE (L=700)
C00053244	IGNITION SPARK PLUG - TRIPLE BURNER
C00083020	SPARK PLUG L= 450 MM
C00092491	ELECTRODE + LEAD L=750MM
C00105249	SPARK PLUG L= 270 MM
C00145232	IGNITION SPARK PLUG OVEN/GRILL
C00153867	IGNITION UNIT
C00236759	IGN LEAD 560MM
C00241360	IGNITION LEAD 1070MM
C00241367	SPARK GENERATOR (IGM52)
C00241368	SPARK GENERATOR IGM51
C00241370	SPARK GENERATOR IGM03
C00241371	SPARK GENERATOR (GENIGB60)

Taps



CODE	DESCRIPTION
C00052981	GAS TAP - SMALL+MEDIUM+OVAL BURNERS
C00057596	GAS TAP - SMALL+MEDIUM+OVAL BURNERS
C00057597	GAS TAP - LARGE BURNER MICROMECCANIC
C00063698	THERMOSTAT WITH VALVE RAPID.+MICRO
C00063699	THERMOSTAT WITH VALVE A/SEM.+MICRO
C00064091	THERMOSTAT WITH VALVE 30/100
C00111240	GAS TAP - SMALL+MEDIUM+OVAL BURNERS 28
C00111241	GAS TAP - LARGE BURNERS 39
C00111244	GAS TAP - TRIPLE BURNER 57
C00244421	CONTROL TAP
C00245151	CONTROL TAP
C00262593	GAS TAP - LARGE BURNERS SABAF 39
C00262594	GAS TAP - TRIPLE BURNER SABAF
C00262595	GAS TAP - SMALL+MEDIUM+OVAL BURNERS 28

Thermocouples



CODE	DESCRIPTION
C00028639	THERMOCOUPLE OVEN (L=1200MM)
C00052986	THERMOCOUPLE **NOT FOR TRIPLE BURNER**
C00053178	THERMOCOUPLE - TRIPLE BURNER
C00078735	THERMOCOUPLE L = 1000 MM
C00094330	THERMOCOUPLE - TRIPLE BURNER
C00143490	OVEN & GRILL THERMOCOUPLE (L=1300mm)

Thermostats



CODE	DESCRIPTION
C00010216	OVEN THERMOSTAT
C00011573	OVEN THERMOSTAT
C00081597	OVEN THERMOSTAT
C00089573	THERMOSTAT
C00138993	THERMOSTAT
C00145486	OVEN THERMOSTAT
C00199551	MAIN OVEN THERMOSTAT
C00227130	OVEN THERMOSTAT
C00229478	MAIN OVEN THERMOSTAT

Timer



CODE	DESCRIPTION
C00196005	TIMER SINGLE RELAY
C00274791	PROGRAMMER I/F PCA-ML621 FT850 + LEAFLET
C00051477	ELECTRONIC PROGRAM EATON 220-240V (RH)

Other

CODE	DESCRIPTION
C00075781	COVER SUPPORT SX PF6-7 RESTYLING
C00149134	UNIVERSAL GRILL PAN ASSY
C00237068	FSD+PHIAL CLIP KIT

Carbon Filters

Carbon Filter | type E233



CODE	BRAND	LANGUAGES	MEASURES	
C00090694	HP	EN,IT,RU,RO,ES,PT,TR,PL	Ø 233x28 mm - 240g	1 pc

Carbon Filter | type F233



CODE	BRAND	LANGUAGES	MEASURES	
C00090701	HP	EN,IT,RU,RO,ES,PT,TR,PL	Ø 233x30 mm - 330g	1 pc

Carbon Filter | type 30



CODE	BRAND	LANGUAGES	MEASURES	
C00090700	HP	EN,IT,RU,RO,ES,PT,TR,PL	Ø 235x46 - 410g	1 pc

Carbon Filter | type 28



CODE	BRAND	LANGUAGES	MEASURES	
C00090740	HP	EN,IT,RU,RO,ES,PT,TR,PL	Ø 240x34 mm - 450g	1 pc

Carbon Filter | type D180



CODE	BRAND	LANGUAGES	MEASURES	
C00088594	HP	EN,IT,RU,RO,ES,PT,TR,PL	Ø 171,5 mm	1 pc

Carbon Filter | type 210



CODE	BRAND	LANGUAGES	MEASURES	
C00090739	HP	EN,IT,RU,RO,ES,PT,TR,PL	Ø 210x30 mm - 390g	1 pc

Carbon Filter | type D211



CODE	BRAND	LANGUAGES	MEASURES	
C00195270	HP	EN,IT,RU,RO,ES,PT,TR,PL	Ø 210 mm	1 pc

Carbon Filter | type 34



CODE	BRAND	LANGUAGES	MEASURES	
C00090708	HP	EN,IT,RU,RO,ES,PT,TR,PL	Ø 255x50 mm - 430g	1 pc

Carbon Filter | type D29



CODE	BRAND	LANGUAGES	MEASURES	
C00115686	HP	EN,IT,RU,RO,ES,PT,TR,PL	Ø 191 mm	2 pcs

Carbon Filter | type F196



CODE	BRAND	LANGUAGES	MEASURES	
C00090697	HP	EN,IT,RU,RO,ES,PT,TR,PL	Ø 196x32 mm - 230g	1 pc

Carbon Filter | type D145



CODE	BRAND	LANGUAGES	MEASURES	
C00090937	HP	EN,IT,RU,RO,ES,PT,TR,PL	Ø 145x30 mm	2 pcs

Carbon Filter | type D182



CODE	BRAND	LANGUAGES	MEASURES	
C00090886	HP	EN,IT,RU,RO,ES,PT,TR,PL	Ø 190 mm	1 pc

Carbon Filter | universal



CODE BRAND LANGUAGES MEASURES
C00090891 HP EN,IT,RU,RO,ES,PT,TR,PL universal 1 pc

Carbon Filter | type D184



CODE BRAND LANGUAGES MEASURES
C00090889 HP EN,IT,RU,RO,ES,PT,TR,PL Ø 170 mm 1 pc

Carbon Filter | type 303



CODE BRAND LANGUAGES MEASURES
C00090716 HP EN,IT,RU,RO,ES,PT,TR,PL 205x215 mm - 390g 1 pc

Carbon Filter | type 200



CODE BRAND LANGUAGES MEASURES
C00090710 HP EN,IT,RU,RO,ES,PT,TR,PL 180x200 mm - 500g 1 pc

Carbon Filter | type 160



CODE BRAND LANGUAGES MEASURES
C00090743 HP EN,IT,RU,RO,ES,PT,TR,PL 290x230 - 1150g 1 pc

Carbon Filter | type 35



CODE BRAND LANGUAGES MEASURES
C00090726 HP EN,IT,RU,RO,ES,PT,TR,PL 266x158 mm - 330g 1 pc

Carbon Filter | type 10



CODE BRAND LANGUAGES MEASURES
C00095231 HP EN,IT,RU,RO,ES,PT,TR,PL 260x135 mm 1 pc

Carbon Filter | type 48



CODE BRAND LANGUAGES MEASURES
C00266961 HP EN,IT,RU,RO,ES,PT,TR,PL Ø 240 mm 1 pc

Carbon Filter | type 150



CODE BRAND LANGUAGES MEASURES
C00090741 HP EN,IT,RU,RO,ES,PT,TR,PL 217x435 mm - 848g 1 pc

Carbon Filter | type 190



CODE BRAND LANGUAGES MEASURES
C00090747 HP EN,IT,RU,RO,ES,PT,TR,PL 485x270 mm - 1460g 1 pc

Carbon Filter | type D190



CODE BRAND LANGUAGES MEASURES
C00098875 HP EN,IT,RU,RO,ES,PT,TR,PL Ø 190 mm 2 pcs

Carbon Filter



CODE BRAND LANGUAGES MEASURES
C00117093 HP EN,IT,RU,RO,ES,PT,TR,PL Ø 200 mm 2 pcs

Carbon Filter | type D187



CODE C00081379 MEASURES Ø 207 mm 2 pcs

Carbon Filter | type 47



CODE C00255749 MEASURES Ø 150 mm 1 pc

Carbon Filter



CODE C00009850 MEASURES 270x450 mm 1 pc

Carbon Filter



CODE C00077377 MEASURES 241x225 mm 1 pc

Carbon Filter | type HA9



CODE C00065489 MEASURES Ø 205 mm 1 pc

Carbon Filter | type CA60-90 BEST



CODE C00013838 MEASURES 270x450 mm 1 pc

Carbon Filter | type 15



CODE C00265505 MEASURES 210x225 mm 1 pc

Carbon Filter



CODE C00268402 MEASURES 248x92 mm 2 pcs

Carbon Filter | S30 ALTO/STILO 2 T/F



CODE C00081380 MEASURES 266x236 mm 1 pc

Carbon Filter | type 141



CODE C00058794 MEASURES 195x140 mm 2 pcs

Carbon Filter



CODE C00027152 MEASURES 170x102 mm 4 pcs

Carbon Filter | type H460



CODE C00133335 MEASURES 340x270 mm 1 pc

Carbon Filter | type 100 V2 AC20



CODE **C00097943** MEASURES 300x215 mm 2 pcs

Carbon Filter



CODE **C00142343** MEASURES 290x170 mm 2 pcs

Carbon Filter | washable



CODE **C00268831** MEASURES 285x245 mm 2 pcs

Carbon Filter | washable



CODE **C00269721** 4 pcs

Carbon Filter



CODE **C00135639** MEASURES 208x215 mm 1 pc

Other carbon filters

CODE	DESCRIPTION	MEASURES	
C00901067		Ø 200 mm	1 pc
C00081381	RECTANGULAR TYPE MANTA T/F	270x450 mm	1 pc
C00132181	RECTANGULAR	138x235 mm	2 pcs
C00132191	RECTANG. 6 PARTS H97/9890	170x100 mm	1 pc
C00081383	HEPA FILTER	250x370 mm	1 pc
C00136198	RECTANGULAR	445x270 mm	1 pc
C00077187	K26 BEST	138x235 mm	1 pc

Carbon Filter | polyurethane



CODE	MEASURES	
C00134169	315x700 mm	1 pc
C00136116	480x193 mm	1 pc
C00134170	465x315 mm	1 pc
C00195271	192x482 mm	1 pc
C00272214	750x280 mm	1 pc

Other carbon filters | polyurethane



CODE	DESCRIPTION	MEASURES	
C00136443		471x191 mm	1 pc
C00136117		191x382 mm	2 pcs

Carbon Filter | washable type 20



CODE **C00242924** MEASURES 225x219 mm 1 pc

Carbon Filter | washable



CODE **C00268832** MEASURES 680x180 mm 1 pc

Carbon Filter | type H460



CODE **C00133335** MEASURES 340x270 mm 1 pc

Carbon Filter | type G/F



CODE	MEASURES	
C00132183	510x180 mm	1 pc
C00081378	218x450 mm	1 pc
C00132184	350x180 mm	1 pc

Grease Filters

Grease Filter | viledon



CODE	BRAND	LANGUAGES	MEASURES	
C00076031	HP	IT,EN,FR,DE,TR,RU	470x114 mm - 130g/mq	1 pc

Grease Filter | viledon



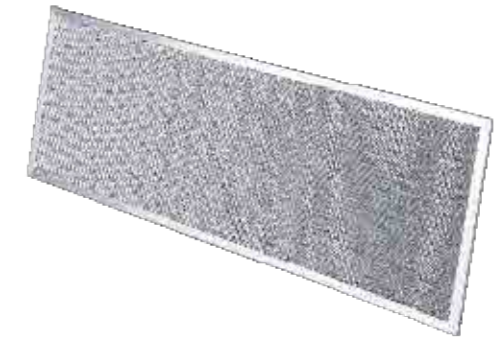
CODE	BRAND	LANGUAGES	MEASURES	
C00076030	HP	IT,EN,FR,DE,TR,RU	470x114 mm - 150g/mq	1 pc

Grease Filter | metal



CODE	MEASURES	
C00087308	340x280 mm	1 pc

Grease Filter | metal



CODE	MEASURES	
C00131478	490x180 mm	1 pc

Grease Filters | paper



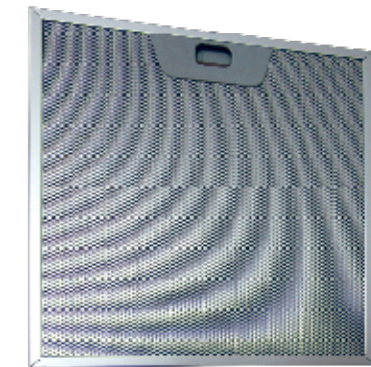
CODE	MEASURES	
C00079733	260x555 mm	1 pc
C00045684	265x855 mm	1 pc
C00045729	265x555 mm	1 pc
C00025537	356x475 mm	1 pc
C00025493	413x860 mm	1 pc
C00095232	450x330 mm	1 pc
C00032263	182x468 mm	1 pc
C00137545	540x355 mm	1 pc
C00078000	260x855 mm	1 pc

Grease Filter | metal



CODE	MEASURES	
C00043046	180x420 mm	1 pc

Grease Filter | metal



CODE	MEASURES	
C00079688	220x261 mm	1 pc

Metal Grease Filters

Grease Filter | metal



CODE	MEASURES	
C00280008	305x268 mm	1 pc

Grease Filter | metal



CODE	MEASURES	
C00058231	190x235 mm	1 pc

Grease Filter | metal



CODE	MEASURES	
C00042992	500x235 mm	1 pc

Grease Filter | metal



CODE	MEASURES	
C00076558	293x312 mm	1 pc

Grease Filter | metal



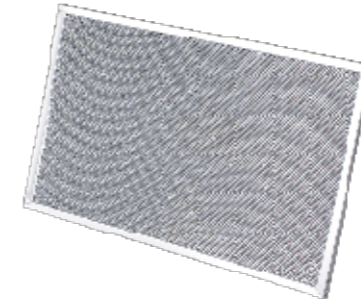
CODE	MEASURES	
C00135852	285x380 mm	1 pc

Grease Filter | metal



CODE	MEASURES	
C00050409	300x255 mm	1 pc
C00139286	380x482 mm	1 pc
C00076591	260x320 mm	1 pc
C00098625	535x180 mm	1 pc

Grease Filter | metal



CODE	MEASURES	
C00137409	370x250 mm	1 pc
C00137408	375x285 mm	1 pc

Grease Filter | metal



CODE	MEASURES	
C00042992	500x235 mm	1 pc

Grease Filter | metal



CODE	MEASURES	
C00059594	300x255 mm	1 pc
C00136771	325x235 mm	1 pc
C00138588	550x170 mm	1 pc
C00138587	535x150 mm	1 pc

Grease Filter | metal



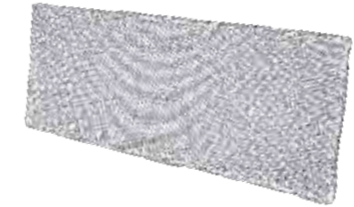
CODE	MEASURES	
C00135459	460x180 mm	1 pc
C00135479	330x180 mm	1 pc

Grease Filter | metal



CODE	DESCRIPTION	MEASURES	
C00060137	3 + 1 LAYER	333x250 mm	1 pc

Grease Filter | metal



CODE	DESCRIPTION	MEASURES	
C00242705		310x270 mm	1 pc
C00051290	SL26/SL29	295x265 mm	1 pc
C00098425		526x323 mm	1 pc
C00126926	GF 402/626	180x505 mm	1 pc
C00126960		500x750 mm	1 pc
C00126915	TYPE H8660	470x225 mm	1 pc
C00058058	3 + 1 LAYER	344x254 mm	1 pc

Grease Filter | metal



CODE	MEASURES	
C00059024	300x250 mm	1 pc
C00042259	418x235 mm	1 pc

Grease Filter | metal



CODE	MEASURES	
C00134794	445x385 mm	1 pc
C00136097	385x190 mm	1 pc

Other grease filters | metal

CODE	MEASURES	
C00098726	460x180 mm	1 pc
C00099103	380x290 mm	1 pc
C00099100	380x285 mm	1 pc
C00136078	470x195 mm	1 pc
C00098575	177,5x533 mm	1 pc
C00109539	320x320 mm	1 pc
C00098978	530x180 mm	1 pc
C00138616	535x160 mm	1 pc
C00096867	220x275 mm	1 pc
C00074290	253x300 mm	1 pc

Grease Filter | aluminium 6 layers



CODE	DESCRIPTION	MEASURES	
C00123615	GF 502	525x190 mm	1 pc
C00122087		525x200 mm	1 pc
C00122059		286x355 mm	1 pc
C00123617	GF 603	525x190 mm	1 pc
C00122070		386x355 mm	1 pc
C00123616	GF 803	525x190 mm	1 pc

Detergents and other accessories

Hob & Grid Renovator



Restores gas hobs, hotplates, burners and grids to their showroom condition.

- Removes all deposits and prevents corrosion caused by spillages and high temperatures;
- Contains no abrasive agents that can scratch and damage surfaces;
- Restores a variety of surfaces including enamel and stainless steel, chrome, aluminium, brass and cast iron.

USE

Shake well before use. Pour onto a damp sponge and rub the part that needs cleaning. Rinse with water and dry thoroughly.

280 gr

CODE	BRAND	LANGUAGES	
C00082037	HOME PROFESSIONAL	IT, RU	6
C00082076	HOME PROFESSIONAL	FR, EN	6

Microwave Care



Guarantees cleanliness and hygiene by effectively removing all greasy spots left over from cooking from all internal and external surfaces of the microwave.

- Strong sanitizing action against micro-organisms and bacteria;
- It is odour free, atoxic and leaves no residual traces or odours;
- Environmentally friendly 90% biodegradable.

USE

Spray the product onto the surfaces you wish to clean from a distance of approximately 15-20 cm. Leave it to soak in for a few seconds. Rub with a rough sponge and rinse well. Do not use on aluminium-coated surfaces or light alloys.

500 ml

CODE	BRAND	LANGUAGES	
C00089781	HOME PROFESSIONAL	EN, FR, RU	6
C00090852	HOME PROFESSIONAL	PL, HU, CS	6
C00082051	HOME PROFESSIONAL	IT, PT, PL	6

Oven Care



Effective, safe and ecological detergent for the cleaning of your oven's internal surfaces, grids and trays. Removes all greasy cooking residues, while future deposits take longer to build up.

- Totally dissolves all types of grease and grime inside the oven in 1 hour;
- Thanks to its special components the cleaner is effective without need to heating the oven;
- Does not contain "Caustic Soda", a component that acts only on heated ovens and is the cause of harmful vapours;
- The product contains surface-active agents and other natural, non-harmful components of equal effectiveness.

USE

To be used when the appliance is cold. Spray the product onto the surfaces you wish to clean inside the oven from a distance of approximately 15-20 cm. Leave it soak for at least half of an hour. If the deposits are particularly hard to remove, you can even leave it to soak overnight. Rub with a rough sponge and rinse well. The product cannot be used on stay clean liners, but can be used on the base of the oven, the inner glass, shelves and trays.

500 ml

CODE	BRAND	LANGUAGES	
C00089772	HOME PROFESSIONAL	EN, FR, RU	6
C00082045	HOME PROFESSIONAL	IT, TR, PL	6
C00090858	HOME PROFESSIONAL	PL, HU, CS, SK	6
C00090394	HOME PROFESSIONAL	RO, EL, EN	6
C00087672	HOME PROFESSIONAL	ES, PT, DE	6

Scraper & Blades



Professional scraper designed for use on ceramic hobs, it's ideal for removing all types of burnt food residues, encrustation and water stains.

- Used on hot top, it prevents the food from sticking on the surface;
- It doesn't scratch;
- It's safe, because the blade could be retracted in the scraper after the use.

CODE	BRAND	LANGUAGES	
C00089910	SCRAPER	HOME PROFESSIONAL	EN, RU, ES, PT, GR, IT 1
C00089948	10 BLADES	HOME PROFESSIONAL	EN, RU, ES, PT, GR, IT, PL 10

Steel Care

BEST
SELLER



A cream based cleanser that cleans, removes grease and polishes steel, stainless steel and chromed surfaces. Ideal for sinks, taps, hobs and grills

- This product will not scratch as it doesn't contain abrasive agents unlike powder, or non professional products;
- Containing a "natural water repellent" means over time cleaning will become easier;
- Kind to skin, non allergenic and with neutral pH level;
- Environmentally friendly, 90% biodegradable.

USE

Shake well before use. Pour onto a damp sponge and rub clean; dry with a cloth to polish. Detergent for hard surfaces.

280 gr

CODE	BRAND	LANGUAGES	
C00089778	HOME PROFESSIONAL	EN, RU, UK, RO	12
C00082052	HOME PROFESSIONAL	IT, ES, PT, TR	12
C00090477	HOME PROFESSIONAL	PL, HU, CS, SK	12

Vitroc ceramic Care

BEST
SELLER



Restores maximum cleanliness and hygiene to your glass ceramic hob.

- Easy to use: it acts on its own without any rubbing;
- Quick: it dissolves all grease and incrustations completely in 15 to 30 minutes;
- Environmentally friendly, 90% biodegradable.

USE

Spray the product onto the surfaces you wish to clean from a distance of approximately 15-20 cm. Leave it soak in for approximately 30 minutes (or longer if the burnt-on deposits are particularly hard to remove). Rub with a rough sponge or scrape with the professional scraper and rinse well.

500 ml

CODE	BRAND	LANGUAGES	
C00089782	HOME PROFESSIONAL	EN, FR, RU	6
C00082047	HOME PROFESSIONAL	IT, TR, PL	6
C00087588	HOME PROFESSIONAL	ES, PT, DE	6
C00090860	HOME PROFESSIONAL	PL, HU, CS, SK	6

Steel Care Spray



Cleans, polishes and sanitizes all stainless steel surfaces and parts in the kitchen and throughout the home. Ideal for daily maintenance of hobs, hoods, taps and fittings.

- Restores the surface shine and brightness;
- Kind to skin, non allergenic and with neutral pH level;
- Environmentally friendly 90% biodegradable.

USE

Spray the product onto the entire surface to be cleaned. Rub until the surface is clean and shiny with a dry cloth. Detergent for hard surfaces.

500 ml

CODE	BRAND	LANGUAGES	
C00093902	HOME PROFESSIONAL	EN, RU, RO, FR, DE	6
C00093903	HOME PROFESSIONAL	IT, ES, PT, TR	6
C00090473	HOME PROFESSIONAL	PL, HU, CS, SK	6

Index

Basins	36	Heaters	39
Capacitors	36	Hinges	39
Compressors ACC	36	Ice bacins	39
Cooling baskets	37	Lamps	39
Crispers	37	Lockring	39
Electrovalves	37	Probes	40
Fan motors	38	Shelves	40
Filters molecular	38	Small parts	40
Filters water refrigeration	38	Thermostats	40
Flaps	38	Other	41
Handles	38	Detergents and food preservation	42



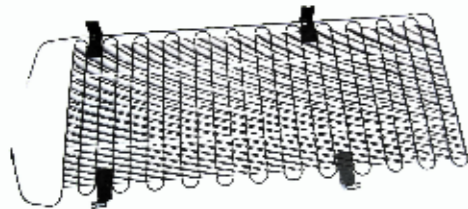
Cooling

Basins



CODE	DESCRIPTION
C00009337	DEFROST WATER TRAY (PLASTIC)(EX METAL)
C00046376	DEFROST TRAY (STICK ON) DAN 215X148X25
C00050161	EVAPORATOR DOOR WHITE
C00114695	DEFROST WATER TRAY 209X175X58 (POLONIA)

Capacitors



CODE	DESCRIPTION
C00118188	CONDENSATOR 576X1200x48 (R600)
C00276714	STARTING CAPACITOR 4 MF (M8) ROHS (P2)

Compressors ACC

* I CODICI CON "(P)" NELLA DESCRIZIONE SONO ACQUISTABILI SOLO IN PALLET



CODE	DESCRIPTION
C00044866	COMP.GL99AA 220-240/50 1/3HP-230 R134
⚠ C00092270	COMPR. HYK95AA 220-240/50 1/5HP-167W R600
⚠ C00093414	COMPR. HTK12AA 220-240/50 1/4HP-197W R600
C00099798	COMPR.GVY57AA 220-240/50 1/5HP-150 R134a
C00099799	COMPR.GVY66AA 220-240/50 1/4HP-180 R134a
C00099801	COMPR.GVY75AA 220-240/50 1/4HP-200 R134a
⚠ C00111104	COMPR.HSH080AA 220-240/50 1/8 HP-91 R600
C00142387	COMPR.GVY44AA 220-240/50 1/6HP R134A (P)
C00142388	COMPR.GVY40AA 220-240/50 1/7HP R134A (P)
C00143869	COMPR.GVY75AA 220-240/50 1/4-200 R134(P)
C00143870	COMPR.GVY66AA 220-240/50 1/4-180 R134(P)
C00143887	COMPR.GVY57AA 220-240/50 1/5-150 R134(P)
C00143893	COMPR.GVY44AA 220-240/50 1/6HP-122 R134
C00143894	COMPR.GVY40AA 220-240/50 1/7HP-107 R134A
C00143895	COMPR.GVY35AA 220-240/50 1/9HP-84 R134A
C00254294	COMPRESSORE ACC HVY57 1/8 R600
⚠ C00257496	COMPRES. HMK95AA 220-240/50 167W-1/5 R600
⚠ C00260001	COMPR.HVY67AA 220-240/50 1/7 HP-107 R600
C00260650	COMP.HTK80AA2 220-240/50 1/6HP-136W R600
C00262634	COMP.GVM57AA 220-240/50 1/5 hp 153W R134
C00264174	COMPR. GQY80AT 220/50 R134A 227W
C00264429	KIT COMPR.HTK95AA2 220-240/50 167W R60 ★
C00267091	COMP.GVM66AA 220-240/50 1/4 hp 181W R134
C00269475	COMPR.HTK12AA-2 1/4HP-197W R600 50Hz ★
C00270347	COMP.HTK80AA2 220-240/50 136W R600 P
C00270730	COMPR.HMK12AA 220-240/50-198W 1/4HP KIT

CODE	DESCRIPTION
⚠ C00271053	COMPRESSORE HVY44AA
C00271998	COMP.GVM57AA(P) 1/5 153W R134 220-240/50
C00271999	COMP.GVM66AA(P) 1/4 181W R134 220-240/50
C00277054	COMPRES. HMK95AA 220-240/50 167W-1/5 R600 ★
C00277058	COMPRESSORE ACC HVY57 1/10 R600 KIT..
C00277059	COMPR.HVY67AA 220-240/50 1/7 HP 107 R600 ★
C00277805	COMPRESS.GL99AA 220/50 1/4HP-230 R134(P)
C00279680	COMPRESSORE HVY44AA KIT
C00279845	COMPRESSORE ACC HVY57 1/10 R600 KIT(P)
C00279846	COMPR.HMK12AA 220-240/50-198W 1/4 KIT(P)
C00279858	COMPRES. HMK95AA(P) 167W-1/5 R600 220-240
C00279861	COMPRESSORE HTK12AA2 KIT 198W R600 ★
C00279865	COMPR.HVY67AA(P) 220-240/50 1/7-107 R600
C00279869	COMPRESSORE HVY44AA KIT (P)
C00279981	COMPR.GVM40AA 107W R134 220-240V 50Hz(P)
C00279982	COMPR.GVM40AA 107W R134 220-240V 50Hz

Cooling Baskets



CODE	DESCRIPTION
C00112966	FREEZER DRAWER (240mm)
⚠ C00141441	UPPER DRAWER (434X300X123mm) WHITE (★ C00271670)

Crispers



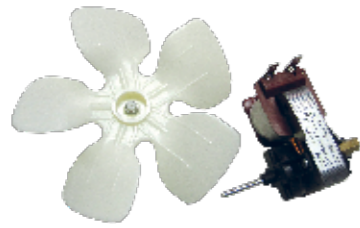
CODE	DESCRIPTION
C00096313	SALAD BIN -CLEAR
C00111365	SALAD BIN
C00111366	SALAD BIN
C00111367	VEGETABLE BIN-CLEAR
C00114619	CRISPER BOX (522X180X290MM) POLAR WHITE
C00217667	SALAD BIN

Electrovalves



CODE	DESCRIPTION
C00143140	ELECTROV.3-WAY BITRON ROHS 240/50 (RF)

Fan Motors



CODE	DESCRIPTION
C00093206	SET FAN-MOTOR C15R8142 220-240V 50-60HZ

Filters Molecular



CODE	DESCRIPTION
C00042334	FILTER GR.12 (D.1,95/D.4 MM) GAS R134A
C00042400	FILTER 12 GR + (042398) GAS R134A
C00045265	FILTER GR.12 (D.1,95/D.4 MM) GAS R600A
C00144122	FILTER R134-600 3WAYS KIT

Filters Water Refrigeration



CODE	DESCRIPTION
C00097913	FILTER REFILL FOR AQUA CARE
C00114417	S/PART FILTER WATER AS (MSZ701/702NF)
C00193754	FILTER WATER MAYTAG XRA601NF
C00195457	FILTER WATER XB800AENF
C00275036	FILTER SAMSUNG FRIDGE

Flaps



CODE	DESCRIPTION
C00063308	EVAPORATOR DOOR-WHITE/GREY 473X209X14mm

Handles



CODE	DESCRIPTION
C00111164	GRAB HANDLE POLAR WHITE
C00117613	DOOR HANDLE - WHITE

Heaters



CODE	DESCRIPTION
C00142056	KIT HEATING ELEMENT 240V 4,9W PIPE DRAIN
C00268708	KIT HEATING ELEMENT 240V 4,9W PIPE DRAIN
C00271921	KIT HEATING ELEMENT 240V 4,9W PIPE DRAIN

Hinges



CODE	DESCRIPTION
C00032093	HINGE - UPPER LH/LOWER RH (HETTIC)
C00144877	HINGE - UPPER RH/LOWER LH (TECHNIC)
C00144878	HINGE - UPPER LH/LOWER RH (TECHNIC)
C00215089	HINGE T.RH OR BTM LH
C00273834	DOOR CONVERSION KIT

Ice Bacins



CODE	DESCRIPTION
C00045973	ICE CUBE TRAY (260X110X37)
C00113326	ASSY ICE MAKER ICE MAKER (MSZ701/702NF-N
C00114734	ICE CUBES CONTAINER (WXH 372X70)
C00256706	ICEMAKER

Lamps



CODE	DESCRIPTION
C00006522	LAMP 15W (E14)

Lockring



CODE	DESCRIPTION
C00042044	RACCORD LOCKRING 5 LAITON
C00042050	RING VULCAN 8/6 NRMS00
C00043021	SERVICE PIPE WITH VALVE (6 NFMSSV)
C00058196	RING LOKRING 6NKMS00
C00058199	RING LOKRING 8NKAL50
C00058201	RING LOKRING 5/2 NRMS00
C00058214	RING LOKRING 8/6 NRAL50
C00058218	RING LOKRING 6NKAL50
C00900806	RACCORD LOCKRING 7/6 MM ALU

Probes



CODE	DESCRIPTION
C00216809	FREEZER THERMISTOR - GREEN
C00218184	THERMISTOR - EVAPORATOR

Shelves



CODE	DESCRIPTION
C00031725	BOTTLE SHELF WHITE
C00048874	BOTTLE SHELF (465MM) - WHITE
C00082955	EGG SHELF (442X65MM) - WHITE
C00086423	BOTTLE SHELF - WHITE
C00089088	BOTTLE SHELF WHITE (W 410MM)
C00089092	BOTTLE SHELF WHITE
C00089093	DOOR SHELF 443X70X104mm WHITE
C00143438	GLASS SHELF (489X299X25mm)
C00145578	BOTTLE SHELF
C00195876	DRAWER PANEL (429X155MM)
C00219464	BOTTLE RACK
C00219585	BOTTLE RACK PLAIN

Small Parts



CODE	DESCRIPTION
C00032453	RUBBER SHOCK ABSORBER - COMPRESSOR
C00045967	HINGE RH (70X20-FREEZER FLAP DOOR) - WHITE
C00075111	LOWER SPRAY ARM SUPPORT

Thermostats

Thermostat



CODE	DESCRIPTION
C00018756	T8-C30147-A130106-K59L1069 THERMO. PIN 6
C00019880	C20150-A030084-K59L4032 THERMOSTAT PIN 6
C00019881	C20149-RANCO K59L4033 THERMOSTAT PIN 6MM
C00019882	C30148-A130107-K59L1048 THERMOSTAT PIN 6
C00031236	FRIDGE THERMOSTAT A03-0013/077B-6037
C00031421	ATEA A130098/RANCO K59L1157 THERM. PIN 6
C00038640	THERMOSTAT 3 TERM CENTRE HOLE FIX (RF)
C00038650	FRIDGE THERMOSTAT (CENTER POST)
C00038652	THERMOSTAT (C/PT)A030125/K59L4075/091X64

CODE	DESCRIPTION
C00041082	THERMOSTAT ATEA A130218 BULB 1000 MM
C00058912	THERMOSTAT (C/PT) A13-0512 FASTEX W.403
C00075113	THERMOSTAT A13-0552 CENTER POST W.1400
C00105024	ANTICROSS AMBIENT THERMOSTAT
C00111457	THERMOSTAT DANFOSS
C00116193	THERMOSTAT 077B-6902 C.POST W.865 ROHS
C00143380	THERMOSTAT(C.POST)DANFOSS 077B-6916 ROHS
C00143431	THERMOSTAT A13-0552 C.POST W.1400 ROHS
C00148096	THERMOSTAT TRADE
C00261055	THERMOSTAT

Thermostats kit



CODE	DESCRIPTION
C00252671	THERMOSTAT VT9 - K59 L1102
C00252672	THERMOSTAT VS5 - K54 P1102
C00280245	THERMOSTAT DANFOSS KIT1
C00280246	THERMOSTAT DANFOSS KIT2
C00280247	THERMOSTAT DANFOSS KIT3
C00280248	THERMOSTAT DANFOSS KIT4
C00280249	THERMOSTAT DANFOSS KITS
C00280250	THERMOSTAT DANFOSS KIT6
C00280251	THERMOSTAT DANFOSS KIT7
C00280252	THERMOSTAT DANFOSS KIT8

Other

CODE	DESCRIPTION
C00255979	HARDWARE KEY ADAPTOR LOWEND+8200933
C00260899	DAMPER

Fridge Care



Maximum hygiene for your food with this fridge detergent with antibacterial action. Removes grease, cleans and sanitizes all internal and external fridge and freezer surfaces.

- Improves food preservation and hygiene by eliminating micro-organisms and bacteria;
- No need to rinse;
- Safe, unscented and atoxic. It doesn't leave traces of any kind;
- Environmentally friendly, over 90% biodegradable.

USE
Spray the product and rub clean using a dry cloth. No need to rinse.

500 ml

CODE	BRAND	LANGUAGES	
C00089777	HOME PROFESSIONAL	EN, DE, RU, UK	6
C00082046	HOME PROFESSIONAL	IT, ES, PT, TR	6
C00090481	HOME PROFESSIONAL	PL, HU, CS, SK	6
C00090375	HOME PROFESSIONAL	RO, EL, EN	6

Odour Absorber



Due to the natural absorbing properties of active carbon, this product eliminates all bad fridge odours, avoiding contamination of food flavours.

- The active carbon absorbs all bad odours by retaining them within its porous fabric just like a sponge. It is even more effective against strong odours such as: fish, cheese, onion and garlic;
- Ensures maximum effectiveness for up to 3 months from application;
- The product is safe and easy to use.

CODE	BRAND	LANGUAGES	
C00089783	HOME PROFESSIONAL	EN, FR, DE, RU	10
C00082054	HOME PROFESSIONAL	IT, ES, PT, TR	10
C00090688	HOME PROFESSIONAL	PL, HU, CS, SK	10

Keep Fresh Mat



Keeps fruit and vegetables fresh in the fridge by creating good air circulation

- Prevents moisture from damaging the foods;
- Comes in a cut to size pack thus enabling the product to be used in any make or type of fridge.

31x50 cm

CODE	BRAND	LANGUAGES	
C00098407	HOME PROFESSIONAL	EN, IT, RU, EL, TR, PT, ES, NL, DE	30

Odour Absorber Pura



This environmentally-friendly active carbon filter for refrigerators eliminates unpleasant smells without affecting food flavours and properties.

- It fits every fridge thanks to the small size and to the pratic adhesive stiker;
- Consumer-friendly: it indicates when it's time to replace the filter by the level of the gel;
- Duration: 3 months

CODE	BRAND	LANGUAGES	
C00062715	HOME PROFESSIONAL	IT, EN, FR, RU, TR, DE, PT, ES, PL, NL	10

Index

Baskets Dish W.	46	Lamps	49
Buttons	46	Locking assembly	49
Commutators	46	Pipes	49
Cutlery baskets	46	Pressure switches	50
Drain pumps	46	Salt containers	50
Electro containers	47	Small parts	50
Electro pumps	47	Switches	51
Electrovalves	47	Thermostats	51
Gaskets	48	Timer	51
Handles	48	Washing filters	52
Heaters	48	Other	52
Hinges	49	Descalers and other accessories	53
Impellers	49		



Dishwashing

Baskets Dish W.



CODE	DESCRIPTION
C00044824	UPPER BASKET 8/12 'INDESIT GIUGIARO'
▲ C00044825	LOWER BASKET 'INDESIT GIUGIARO'
C00054825	LOWER BASKET

Buttons



CODE	DESCRIPTION
C00143006	ON-OFF PUSH BUTTON - WHITE

Commutators



CODE	DESCRIPTION
C00143527	SELECTOR 8 FUNCTION POTENTIOMETER
C00143589	8 FUNCTIONS SELECTOR X 210½ ROHS

Cutlery Baskets



CODE	DESCRIPTION
C00063841	CUTLERY BASKET
C00079023	CUTLERY BASKET
C00097097	CUTLERY BASKET
C00111228	CUTLERY BASKET GREY
C00114049	CUTLERY BASKET ASSY (BLUE SATIN)

Drain Pumps



CODE	DESCRIPTION
C00018213	DRAIN PUMP 220/240V-50HZ
C00044712	DRAIN PUMP 230-240V/50HZ
C00090537	DRAIN PUMP 230V 50HZ (DW)
C00143530	DRAIN PUMP
C00143739	DRAIN PUMP 230V 50HZ EVO3 ROHS
C00143766	DRAIN PUMP (TD)
C00210701	DRAIN PUMP
C00272301	DRAIN PUMP 45-60 CM EOS

Electro Containers



CODE	DESCRIPTION
C00104789	DETERGENT & RINSE AID DISPENSER
C00143377	DETERGENT / RINSE AID DISPENSER (DW)
C00144172	DETERGENT/RINSE AID DISPENSER

Electro Pumps



CODE	DESCRIPTION
C00025666	ELECTROPUMP 220V-50HZ
C00031987	WASH MOTOR/PUMP ASSY
C00041105	WASH PUMP ASSY
C00041106	WASH MOTOR/PUMP ASSY 220V-50/60HZ (KIT)
C00041747	WASH MOTOR/PUMP ASSY 240V-50/60HZ (KIT)
C00054978	WASH MOTOR/PUMP ASSY 220V-75W
C00054979	PUMP COVER
C00055004	WASH MOTOR/PUMP ASSY 220V-60W 'LVS2000'
C00055005	PUMP COVER
C00055946	WASH MOTOR/PUMP ASSY 220V-60W 'LVS2000'
C00056014	WASH MOTOR/PUMP ASSY 240V-60W 'LVS2000'
C00058140	WASH MOTOR/PUMP ASSY 220V-75W
C00058591	WASH MOTOR/PUMP ASSY 240V-75W
C00065174	WASH MOTOR/PUMP ASSY 240V-60W 'LVS2000'
C00075744	WASH MOTOR/PUMP ASSY 220V-60W HELD
C00076627	WASH MOTOR/PUMP ASSY 220V-60W HELD
C00077140	WASH MOTOR/PUMP ASSY 220V-75W 1/2-HELD
C00078566	WASH MOTOR/PUMP ASSY 220V-HELD
C00080512	WASH MOTOR/PUMP ASSY (DW)
C00083478	WASH MOTOR/PUMP ASSY 220V-45W P20
C00088889	PUMP COVER
C00115896	WASH MOTOR/PUMP ASSY W60 V220 PACCO20
C00115902	WASH MOTOR/PUMP ASSEMBLY (DW)
C00256523	WASH MOTOR/PUMP 230V + SEAL
C00256525	WASH MOTOR/PUMP 240V + SEAL (DW)
C00257903	WASH MOTOR/PUMP BLDC 220/240V + SEAL

Electrovalves

1 via



CODE	DESCRIPTION
C00180770	VALVE INLET SAFETY

2 vie



CODE	DESCRIPTION
C00111096	FILL VALVE

Gaskets



CODE	DESCRIPTION
C00056475	LOWER DOOR SEAL KIT
C00091543	DOOR SEAL LOWER 60CM
C00141317	TOP AND SIDE DOOR SEAL (1638MM) (DW).

Handles



CODE	DESCRIPTION
C00044871	HANDLE COVER WHITE

Heaters



CODE	DESCRIPTION
C00041093	IMPROVED HEATING ELEMENT 2100W/230V KIT
C00041252	IMPROVED HEATING ELEMENT 2400W/230V KIT
C00042838	HEATING ELEMENT 2400W/220V
C00105284	IMPROVED HEATING ELEMENT 2000W/220V
C00105287	IMPROVED HEATING ELEMENT 2200W/220V
C00144251	HEATING ELEMENT 1800W
C00144256	HEATER 1800W
C00144898	HEATING ELEMENT 2000W/230V ROHS

OPN



CODE	DESCRIPTION
C00057684	WASHING HEATING ELEMENT 2000W
C00074000	HEATING ELEMENT 1800W
C00256526	HEATING 29.2ohm + SEAL
C00256527	HEATER AND SEAL (31.8ohm) (DW)
C00257904	HEATING BLDC + SEAL
C00275765	HEATING ELEMENT 1900W L=175MM

Hinges



CODE	DESCRIPTION
C00054815	HINGE ITEM, RIGHT KIT
C00054817	HINGE ITEM, LEFT KIT
C00085014	HINGE ASSEMBLY
C00085017	RH HINGE
C00085018	LH HINGE

Impellers



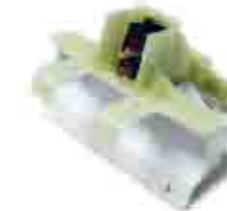
CODE	DESCRIPTION
C00054873	SET UPPER WASH ARM
C00075746	UPPER WASH ARM CURVED SET

Lamps



CODE	DESCRIPTION
C00134788	COMPLETE LAMP

Locking Assembly



CODE	DESCRIPTION
C00039341	CLOSURE+DASHBOARD HANDLE WHITE
C00039361	CLOSURE+DASHBOARD HANDLE BLACK
C00053024	CLOSURE + DASHBOARD HANDLE BLACK
C00053752	DOOR CATCH MECHANISM ASSY - BLACK
C00075736	DOOR CLOSURE
C00085357	DOOR LOCK ASSEMBLY
C00118765	DOOR LOCK ASSEMBLY (DW)
C00195887	DOOR LOCK

Pipes

Inlet



CODE	DESCRIPTION
C00256554	INLET HOSE LONG WATERSTOP 1600MM
C00274628	INLET HOSE LONG ANTIOVERFLOW L=3MT KIT
C00086697	PIPE LOAD 3MT LVS

Outlet



CODE	DESCRIPTION
C00054869	DRAIN HOSE
C00041101	DRAIN HOSE - TO SINK/PLUMBING

Other



CODE	DESCRIPTION
C00041017	UPPER WASH ARM FEED PIPE
C00056001	UPPER WASH ARM FEED PIPE
C00079016	PIPE RUBBER SUMP-PUMP

Pressure switches



CODE	DESCRIPTION
C00021396	PRESSURE SWITCH
C00027905	PRESSURE SWITCH
C00041095	PRESSURE SWITCH 1 LEVEL
C00063834	PRESSURE SWITCH 1 LEVEL KIT (DW)
C00143370	PRESSURE SWITCH 80 60 EVO3 45CM ROHS
C00143740	PRESSURE SWITCH 90 71 EVO3 ROHS (DW)
C00256536	PRESSURE SWITCH 85/65

Salt Containers



CODE	DESCRIPTION
C00094171	WATER SOFTENER ADJUSTABLE EVO3
C00256548	WATER SOFTENER

Small Parts



CODE	DESCRIPTION
C00018291	VENTURI CONE
C00047345	DOOR CATCH MECHANISM ASSY INDESIT-WHITE
C00048970	CLOSURE + DASHBOARD HANDLE WHITE
C00056347	LOWER BASKET WHEEL
C00075686	JET GASKET
C00104638	BASKET ROLLER AXIS
C00144315	TOP SPRAY ARM NUT WITH SEAL (ROHS)

Switches



CODE	DESCRIPTION
C00041184	ON-OFF SWITCH (DOUBLE POLE) (DW)
C00041194	MICROSWITCH
C00142650	ON-OFF SWITCH (DOUBLE POLE) (DW)

Thermostats



CODE	DESCRIPTION
C00041086	THERMOSTAT SAFETY 78oNC (DW)

Timer



CODE	DESCRIPTION
C00049006	TIMER EC4614.01
C00053322	TIMER EC4614.02
C00060086	INTERFACE CARD & LED'S

Copreci



CODE	DESCRIPTION
C00056328	TIMER - COPRECI TD 020004

Crouzet



CODE	DESCRIPTION
C00041132	TIMER - CROUZET 2003/9070
C00042742	TIMER CROUZET TMX 1629

Eaton



CODE	DESCRIPTION
C00041514	TIMER EATON EC 4327.02

Washing Filters



CODE	DESCRIPTION
C00142344	CENTRAL FILTER & CYLINDRICAL FILTER KIT
C00145075	STAINLESS STEEL OUTLET FILTER
C00211185	MICRO FILTER

Other

CODE	DESCRIPTION
C00211208	HEAT EXCHANGER

Detergents and other accessories

Descaler



Limescale and detergent remover

Concentrated powder formula for washing machines and dishwashers. It cleans thoroughly the internal parts of the appliance and removes all limescale, soap deposits and encrustations.



Problems with limescale?

- Limescale coats the heating elements of your washing machine and dishwasher.
- Limescale can damage the internal components of your appliance.
- A 1.6 mm coating of limescale on a heating element can make it up to 12% less effective.
- Limescale can cause premature appliance failure.

Problems with detergent build-up?

- Detergent builds up inside your washing machine and dishwasher, causing them to function less effectively.
- This detergent build-up is the perfect home for bacteria.
- This bacteria causes bad odours and discolouration.



We have the solution!



Our limescale and detergent remover:

- Removes limescale deposits in hard water areas.
- Removes detergent and grease build-up in soft water area.
- Maximises the performance and efficiency of the appliance.
- Hygienically cleans the internal parts of the appliance.
- Removes the bacteria that cause bad odours.
- Is suitable for all makes of washing machine and dishwasher.

USE

- Put the powder into the detergent dispenser.
- Do not add detergent.
- Start an empty wash cycle at 60 °C without pre-wash.
- Use once a month.

CODE	BRAND	LANGUAGES		
C00082056	HOME PROFESSIONAL	IT, ES, PT, TR	10 DOSES	10
C00090872	HOME PROFESSIONAL	FR, EN, DE, NL, IT, ES, PT, CS, SK	10 DOSES	10
C00091774	HOME PROFESSIONAL	IT, PT, TR, RU	5 DOSES	5
C00090865	HOME PROFESSIONAL	FR, EN, DE, NL, IT, ES, PT, CS, SK	5 DOSES	5
C00076202	HOME PROFESSIONAL	FR, IT, NL, EN	5 DOSES	5
C00090482	HOME PROFESSIONAL	PL, HU, CS, SK	5 DOSES	5
C00090395	HOME PROFESSIONAL	RO, EL, UK	5 DOSES	5
C00090833	HOME PROFESSIONAL	SV, EN, FI, DA, NL	5 DOSES	5
C00090842	HOME PROFESSIONAL	FR, EN, DE, NL, IT, ES, PT, CS, SK	1 DOSES	1
C00090209	HOME PROFESSIONAL	IT, ES, PT, TR, EN, FR, DE, RU, NL	250 DOSES	250

Aquafilter



Protects the inner components of dishwashers and washing machines from any impurities present in the water, reducing dramatically the maintenance costs.

- It is either for the washing machine and for the dishwasher.
- It filters chlorine, sand, rust metal sediment and limescale, etc. improving the quality of the wash and allowing savings on energy and soap;
- Easy to install.

The cartridge has to be substituted every 2-6 months depending on the number of uses as indicated from the indicator.

CODE	BRAND	LANGUAGES	
C00076440	AQUAFILTER + 1 CART.	HP IT, EN, TR, RU	1
C00089598	CARTRIDGE	HP IT, EN, FR, DE, ES, PT, RU, UK, TR	1

Water Block



Safety device indispensable for washing machines and dishwashers. It should be installed between the tap and the feeding pipe of the domestic appliance. In case of breakdown, it stops the water supply preventing leakages and damages.

CODE	LANGUAGES	
C00269540	EN, FR, DE, IT	1

Calblock



Ecological and magnetic water softener for washing machines and dishwashers. It prevents limescale deposits on the internal parts of the appliance caused by hard water and provides excellent washing performances with a lower quantity of detergent.

- Stops limescale from forming, ensuring greater efficiency and longer life of the appliance.
- Makes your clothes and delicatas last longer thanks to the reduced use of detergents, softeners and additives.
- On dishwashers Calblock reduces the need of salt and rinse aid, ensuring crockery and glasses without water stains

It lasts a minimum average up to 24 months.



CODE	BRAND	LANGUAGES	
C00089789	HOME PROFESSIONAL	IT, EN, RU, TR, UK	1
C00090530	HOME PROFESSIONAL	PL, HU, CS, EL, RO	1

Dishwasher Deodorant



Removes unpleasant odours from inside the appliance

- It is completely non-toxic;
- Lasts for 60 washes;
- Two pleasant fragrances per box one lemon and one citrus fruit.



CODE	LANGUAGES	
C00089785	EN, FR, DE, RU	1
C00090690	PL, HU, CS, SK	1
C00082054	IT, ES, PT, TR	1

Index

Bearings	58	Heaters	59
Belts	58	Hinges	59
Blower fan	58	Pipes dryer	60
Capacitors	58	Small parts	60
Door handles	58	Thermostats	60
Door switch	59	Washing motors	60
Drain pumps	59	Other	60
Filters	59		

Dryers



Bearings



CODE	DESCRIPTION
C00113862	SQUARE REAR DRUM BEARING
C00142628	DRUM REAR BEARING TEARDROP

Belts



CODE	DESCRIPTION
C00095613	BELT
C00095658	BELT
C00109620	STRETCH BELT 3KG
C00112736	BELT
C00116358	BELT
C00145707	STRETCH BELT H9 1860MM (TD)
C00146591	BELT
C00146735	BELT 1 BOX OF400
C00209186	BELT 5 GROVE REF 37340000 41578
C00770302	BELT (1920 H MAEL) (WAS 810302)

Blower Fan



CODE	DESCRIPTION
C00095599	COOLING IMPELLOR (TD)

Capacitors



CODE	DESCRIPTION
C00095577	CONDENSER UNIT
C00095649	CAPACITOR
C00113890	CONDENSER
C00165927	CAPACITOR 7UF
C00194453	CAPACITOR 8 UF
C00199432	CAPACITOR 7UF ROHS
C00258585	CONDENSER

Door Handles



CODE	DESCRIPTION
C00141704	DOOR HANDLE

Door Switch



CODE	DESCRIPTION
C00141683	DOOR SWITCH UNIT (TD)
C00257618	DOOR CATCH & LATCH KIT (EMZ)

Drain Pumps



CODE	DESCRIPTION
C00193127	PUMP

Filters



CODE	DESCRIPTION
C00095623	HINGED FLUFF FILTER - GREY
C00095970	FILTER
C00113848	FLUFF FILTER
C00207652	FILTER

Heaters



CODE	DESCRIPTION
C00095567	HEATER ASSY 2500W
C00095673	HEATER ASSY 2200W
C00257632	HEATER (ONE SHOT+CYCLING+NTC TOD) (TD)
C00258678	HEATER (A1) 2.05KW including Cover
C00258795	HEATER 2.2KW (TD)
C00258799	HEATER (WITH ONE SHOT+CYCLING+NTC TOD)
C00258828	HEATER (+ONE SHOT+CYCLING+NTC ELTH)
C00260045	HEATER (ONE SHOT+CYCLING+NTC TOD) (TD)
C00260053	HEATER 2.30KW (ELEC MECH DELTA)
C00277073	HEATER A2 2.05KW INCL THERMOSTATS

Hinges



CODE	DESCRIPTION
C00193285	DOOR HINGE
C00206162	HINGE

Pipes Dryer



CODE	DESCRIPTION
C00208969	DOOR HOSE VENT KIT
C00264620	VENT HOSE 2 MT

Small Parts



CODE	DESCRIPTION
C00112144	BEARING PAD
C00142619	DOOR LATCH (TD)
C00255284	BEARING PAD GROOVED
C00255839	DOOR CATCH & LATCH KIT (EMZ)

Thermostats



CODE	DESCRIPTION
C00112196	THERMOSTAT (ONE SHOT+CYCLING) DBK HEATER
C00095566	THERMOSTAT KIT (TD)
C00095674	THERMOSTAT KIT
C00116598	THERMOSTAT KIT (ONE SHOT+CYCLING) (TD)
C00209193	THERMOSTAT KIT

Washing Motors



CODE	DESCRIPTION
C00194688	MOTOR TYPE 351 KIT (TD)

Other

CODE	DESCRIPTION
C00095655	DRUM SHAFT KIT
C00113038	DRUM SHAFT REPAIR KIT
C00113879	JOCKEY WHEEL AND BRACKET
C00118931	BEARING PAD & BEARING & BELT KIT
C00142615	DOOR INTERLOCK SWITCH
C00149418	VENT HOSE & ADAPTOR
C00260640	PUMP & FLOAT COVER KIT
C00272906	WHEEL KIT

Index

Bearings	64	Modules	72
Belts	65	Motor brushes	72
Capacitors	66	Pipes	73
Commutators	66	Pressure switches	73
Door gaskets	67	Probes	74
Door handles	67	Pulleys	74
Door switch	68	Shock absorbers	74
Drain pumps	68	Small parts	75
Electrovalves	69	Star wheels	75
Fan motors	69	Suppressors	76
Frames	70	Switches	76
Gaskets	70	Thermostats	76
Glass doors	70	Timer	76
Harnesses & cables	70	Washing motors	77
Heaters	70	Other	78
Hinges	71	Descalers and other accessories	79
Knobs	71		



Washing

Bearings



CODE	DESCRIPTION
C00168970	BEARING & SEAL KIT
C00251855	BEARING & SEAL TRADE
C00254590	DRUM BEARING KIT (30MM)

NSK



CODE	DESCRIPTION
C00118852	BEARING 20X47X14 6204 2Z NSK
C00118854	BEARING 17X40X12 6203 2Z NSK
C00142597	BEARING 30X62X16 6206 2Z NSK
C00142598	BEARING 15X35X11 6202 2Z NSK
C00142599	BEARING 25X52X15 6205 2Z NSK
C00259300	BEARING 15X35X11 6202 2Z NSK
C00259301	BEARING 17X40X12 6203 2Z NSK
C00259302	BEARING 20X47X14 6204 2Z NSK
C00259303	BEARING 25X52X15 6205 2Z NSK
C00259304	BEARING 30X62X16 6206 2Z NSK
C00259305	BEARING 22x7x8 608-2Z NSK

SKF



CODE	DESCRIPTION
C00002590	BEARING 17X40X12 6203-2Z SKF
C00002591	BEARING 20X47X14 6204 SKF
C00002599	BEARING SKF 6202-2Z DG.35 DP.15 PROF.
C00013563	BEARING 25 X52 X 15 6205 - 2Z SKF
C00018233	BEARING ELECTROPUMP 12X32X10 6201-2Z
C00026298	BEARING BA2B 633667 30X60.03X37
C00044765	BEARING 6206-2Z '1100-1200 GG'
C00090554	BEARING KIT X VASCA PLAST.400-600 G
C00090555	BEARING KIT X VASCA PLAST.800-1000 G.
C00255119	BEARING BA2B 633667 BB 30X60.03X37
C00263910	BEARING 6305-2Z SKF
C00263917	BEARING 6206 2RS1 SKF
C00770101	BEARING 22X7X8 608-2Z (EX 810101) IAR

Wuxi



CODE	DESCRIPTION
C00277319	BEARING WUXI 6202-2Z
C00277395	BEARING WUXI 6203-2Z
C00277396	BEARING WUXI 6204-2Z
C00277397	BEARING WUXI 6205-2Z
C00278184	BEARING WUXI 6206
C00278185	BEARING WUXI 6201
C00278758	BEARING WUXI 6207-2Z

Belts



CODE	DESCRIPTION
C00112576	BELT J5 - 1158
C00143474	BELT (HL)
C00143610	BELT 1205 J5 (HL)
C00146530	BELT BOX OF 240**
C00208081	BELT
C00770336	BELT L = 1932 MM H 9

Hutchinson



CODE	DESCRIPTION
C00027206	BELT POLY-V L=1270 MM.
C00029794	BELT POLY-V L= 1194 MM
C00031321	DRIVE BELT L= 1930 MM
C00041587	BELT J4 C5 L= 1270 MM METZ
C00046970	BELT POLY-V L= 1310/1288 MM
C00053714	BELT L 1110 J4 / 1106 J4
C00055042	BELT J4 1260 MM / 1258 MM ELASTIC
C00056443	BELT J4 1279 MM - 1280 MM ELASTIC
C00056506	BELT L=1090 MM J4 ELASTIC
C00056948	BELT (H7 1221 MM) ELASTIC
C00059157	BELT J4 1079 MM '2/12 POLI' ELASTIC
C00059560	BELT J4 1265 ELASTIC
C00059721	BELT L=1181/1187 MM H7 ELASTIC
C00064598	BELT 1046 H7 / 1053 H7
C00065333	BELT 1253J ELASTIC
C00066521	BELT L=1181 MM H8 ELASTIC
C00074218	BELT (1046-1051MM H8)ELASTIC
C00082318	BELT (1195 H8).ELASTIC
C00082812	BELT 1061H8 (HL) ELASTIC
C00083910	BELT PVEL 1213H8 TL PH2001 ELASTIC
C00089652	BELT ELASTIC
C00092020	BELT TL1200 1214J5/1226J5 ELASTIC
C00095888	BELT 1060H9 ELASTIC
C00118629	BELT L=1046 - 1051 MM H8 ELASTIC
C00119126	BELT 1201 - 1198 J6 ELASTIC
C00141664	BELT 1205J5/1208J5 ELASTIC
C00141926	BELT 1205J6/1208J6 ELASTIC
C00144120	BELT 1192J3 P
C00144656	BELT 1194 J5 ELASTIC
C00196346	BELT POLY 1936 H6 B250
C00269095	BELT 1233 H8 ELASTIC PU
C00269096	BELT 1287 H8 ELASTIC RUB
C00269097	BELT 1920 H8 ELASTIC RUB
C00269098	BELT 1932 H8 ELASTIC RUB
C00269093	BELT 1200 J6 ELASTIC RUB

Megadyne



CODE	DESCRIPTION
C0003088	BELT '2/16POLES-500/600RPM'
C00027191	BELT 9ML 122 1223 MM
C00036195	DRIVE BELT L= 1885 MM ELASTIC
C00057935	BELT 1105 H7 (1105 MM)ELASTIC
C00104497	DRUM BELT
C00104498	BELT 3L-513 1308 MM
C00144804	BELT POLY 1220J5 ELASTIC
C00194415	BELT POLY 1270 J4 BULK
C00194417	BELT POLY 1245 J5 BULK
C00194420	BELT POLY 1213 H8 BULK
C00194422	BELT POLY 1161 J5 EL BULK
C00194425	BELT POLY 1270 J5 BULK
C00196347	BELT POLY 1221 H7 B250
C00196888	BELT POLY 1192 J5 B250 ELASTIC
C00259998	BELT POLY 1185 H8 B250 ELASTIC
C00269084	BELT 1023 H7 ELASTIC RUB
C00269100	BELT 1277 J4 ELASTIC PU

Capacitors



CODE	DESCRIPTION
C00045956	CAPACITOR 14 uF (UNIVERSAL)
C00045957	CAPACITOR 16 uF (UNIVERSAL)
C00045958	CAPACITOR 18 uF (UNIVERSAL)
C00049154	CAPACITOR 12,5 uF (UNIVERSAL)
C00049155	CONDENSER 20uF (UNIVERSAL)
C00255440	STEAM CONDENSER VPL

Ducati



CODE	DESCRIPTION
C00013582	CAPACITOR 16 MF
C00196902	CAPACITOR 6UF DUCATI B200
C00196905	CAPACITOR 7UF DUCATI B200
C00196906	CAPACITOR 8UF DUCATI B125

Commutators



CODE	DESCRIPTION
C00064555	PROGRAMME SELECT SWITCH
C00083916	PROGRAMME SELECTOR (IDC ELBI) (HL)
C00143095	PROGRAMME SELECTOR POTENTIOMETER

Door Gaskets



CODE	DESCRIPTION
C00024551	DOOR SEAL
C00030384	BELLOWS SEAL
C00032850	BELLOWS SEAL
C00042058	BELLOWS SEAL
C00047099	DOOR BELLOWS SEAL - LARGE
C00054775	BELLOWS SEAL
C00057932	BELLOWS SEAL
C00064545	DOOR SEAL(NO DETERG RECOV HOSE) (HL)
C00065005	DOOR SEAL
C00074133	DOOR BELLOWS SEAL NO DETERG. RECOVERY HO
C00092154	DOOR SEAL
C00093345	DOOR SEAL (HL)
C00097371	DOOR SEAL
C00103633	DOOR SEAL - LARGE
C00110326	DOOR SEAL
C00110330	DOOR BELLOWS SEAL AVSD AVSL D= 30 - 30
C00111416	DOOR SEAL (30CM) (HL)
C00115520	DOOR SEAL (HL)
C00119208	DOOR SEAL
C00143605	DOOR SEAL
C00144134	DOOR SEAL
C00199344	DOOR SEAL
C00200958	DOOR SEAL
C00201247	DOOR SEAL-GREY
C00262267	DOOR SEAL 30x30mm (HL)
C00272627	DOOR BELLOWS SEAL NEW AQUALTIS

Door Handles



CODE	DESCRIPTION
C00051491	HANDLE
C00031856	DOOR HANDLE KIT - WHITE 27
C00035766	HANDLE WHITE
C00049411	DOOR HANDLE ASSY - WHITE 27
C00050182	DOOR HANDLE KIT WGS / WG
C00075323	DOOR HANDLE KIT
C00076447	DOOR HANDLE KIT
C00076583	DOOR HANDLE KIT
C00096865	DOOR HANDLE KIT
C00116576	DOOR HANDLE ASSY WHITE PW
C00116580	DOOR HANDLE KIT
C00116581	DOOR HANDLE ASSY WHITE
C00141736	DOOR HANDLE WHITE PW KIT

Door Switch



CODE	DESCRIPTION
C00011140	DOOR INTERLOCK
C00051438	THERMAL LOCK
C00051478	THERMAL LOCK
C00085194	DOOR INTERLOCK
C00091911	DOOR INTERLOCK AVD
C00105105	DOOR INTERLOCK
C00111494	DOOR INTERLOCK TL EVOII
C00254755	DOOR INTERLOCK (HL)
C00264161	THERMAL LOCK
C00264535	THERMAL DOOR LOCK AND WIRING KIT

Drain Pumps



CODE	DESCRIPTION
C00019751	DRAIN PUMP 220V./50HZ
C00023868	PUMP SELF CLEANING (KIT) 220V./50HZ.
C00027882	SELF CLEANING PUMP 220V./50HZ.
C00035656	PUMPE CLEANING 50/60 HZ
C00035778	DRAIN PUMP 240V.
C00035914	DRAIN PUMP 115V./60HZ
C00036859	DRAIN PUMP 220/230 V.
C00043725	SELF CLEANING PUMP 230V. 50 HZ
C00044998	SELF CLEANING PUMP 240V./50HZ.
C00056245	SELF CLEANING PUMP 230/240 V 50 HZ.
C00064950	SELF CLEANING PUMP 240V./50HZ.
C00077326	DRAIN PUMP 230 V50-60 HZ
C00085617	SELF CLEANING DRAIN PUMP
C00092264	SELF CLEANING DRAIN PUMP (HL)
C00108264	DRAIN PUMP 220-240 V.
C00110665	DRAIN PUMP 220/240
C00112504	SELF CLEANING PUMP 120V 60HZ
C00112653	DRAIN PUMP
C00119307	DRAIN PUMP
C00141862	SELF CLEANING PUMP TL EVOII
C00145315	DRAIN PUMP
C00146452	PUMP 1 BOX OF 24**
C00199374	PUMP
C00199376	PUMP/FLAPVALVE 60HZ

Universal



CODE	DESCRIPTION
C00144998	UNIV. MAGNET. MOTOR PUMP 34 W ASKOLLB
⚠ C00202040	MOTOR PUMP 40 W ASKOLL (^{NEW} C00283640)
C00266228	UNI PUMP MOTOR ONLY (HL)

CODE	DESCRIPTION
C00272890	FAST-ON MAGNET.MOTOR PUMP _ASKOLL_B
C00273407	UNIV. MAGNET. MOTOR PUMP 34 W ASKOLL(S)
C00144997	UNIV. MAGNET. MOTOR PUMP 40 W ASKOLL_UK

Electrovalves

1 via



CODE	DESCRIPTION
C00015504	ELECTROVALVE 1 WAY 6LT (HOT)
⚠ C00019734	ELECTROVALVE 1 WAY 8 LT (COLD) (^{NEW} C00092578)
C00045950	ELECTROVALVE 1 WAY 90[(UNIVERSAL)
C00046980	ELECTROVALVE 1 WAY 8LT 220 V
C00049153	ELECTROVALVE SING. 180½
C00194396	ELETTROVALVOLA 1 VIA 180° 10LTS 10,5mm
C00201981	VALVE SINGLE HOT (HL)

2 vie



CODE	DESCRIPTION
C00021864	ELECTROVALVE 2 WAY 10LT (COLD)
C00045951	ELECTROVALVE DOUBLE 180(UNIVERSAL)
C00066518	SOLENOID VALVE 2 WAY
C00097712	ELECTROVALVE 1120+WELDED SHORT SPACER
C00110333	FILL VALVE 2 WAY (7LT RST 2.5)
C00112661	ELECTROVALVE HC (HL)
C00116159	ELECTROVALVE 1E2U P.2.5

3 vie



CODE	DESCRIPTION
C00045953	ELECTROVALVE 180(UNIVERSALE)
C00080664	3 WAY COLD FILL VALVE SOLENOID
C00110331	INLET VALVE - Triple inline
C00140837	3 WAY SOLENOID FILL VALVE
C00144007	3 WAY SOLENOID FILL VALVE
C00168945	SOLENOID VALVE 3 WAY

Fan Motors



CODE	DESCRIPTION
C00098711	DRYER FAN MOTOR 230V 50HZ WD-AML1400(HL)
C00254768	MOTOR 52MM CESET 3 FIX 1/2 FIELD

Frames



CODE	DESCRIPTION
C00058689	OUTER DOOR FRAME
C00101959	DOOR FRAME WHITE 27

Gaskets



CODE	DESCRIPTION
C00001111	STAR WHEEL GASKET KIT 600 R.P.M.
C00103642	GASKET - BEARING HUB

Glass Doors



CODE	DESCRIPTION
C00057573	DOOR FRAME AND GLASS ASSY NEW LINE
C00058927	DOOR FRAME AND GLASS ASSY
C00075320	DOOR FRAME ASSY
C00081890	DOOR FRAME ASSY
C00115842	DOOR FRAME & GLASS ASSY
C00116624	DOOR FRAME AND GLASS ASSY WHITE

Harnesses & Cables



CODE	DESCRIPTION
C00199364	THERMAL FUSE CABLE (HL)

Heaters



CODE	DESCRIPTION
C00019973	HEATING ELEMENT 1950 W.
C00033055	HEATING ELEMENT+TERMAL CUT-OUT 2000W/230
C00046976	HEATING ELEMENT 2000W 230 V
C00050575	HEATING ELEMENT 2000 W.
C00051500	HEATER ELEMENT 2000W
C00055046	HEATING ELEMENT 2000W 230 V
C00055306	HEATER ELEMENT 1750 W
C00066086	HEATING ELEMENT+T CUT-OUT 1700W (HL)
C00069310	HEATER
C00080765	DRYER HEATING ELEMENT 1200W (HL)
C00082601	HEATING ELEMENT+TERMAL CUT-OUT 1800W/230
C00083906	HEATER 1750W-230V TL PH2001

CODE	DESCRIPTION
C00084391	HEATING ELEMENT+TERMAL CUT-OUT 1700W/230
C00086357	HEAT ELEMENT+T CUT-OUT 1700W/230V (HL)
C00086661	HEATING ELEMENT FOR PROBE 1700W (HL)
C00087188	HEAT ELEMENT + SENSOR HOLE (1700W) (HL)
C00088218	HEATING ELEMENT
C00088399	HEATER
C00094715	HEATING ELEMENT 1700W
C00110148	HEATER 1700W-230V TL
C00112578	HEATING ELEMENT & PROBE (HL)
C00143654	HEATING ELEMENT & PROBE
C00199464	HEATER KIT
C00201254	HEATER KIT (HL)
C00202049	HEATER & THERMISTOR
C00203381	ELEMENT
C00254363	HEATER
C00255085	HEATING 1800W 230V 200MM BOX
C00255093	HEATING 2000W, 230V, 290MM BOX
C00255095	HEATING 1700W, 230V, 175MM BOX
C00255096	HEATING 1800W, 230V, 190MM BOX
C00255099	HEATING ELEMENT 2000W 230 V 190MM BOX
C00255111	HEATING 2000W, 230V, 240MM BOX
C00255122	HEATER 1700W, 230V, 175MM BOX
C00255584	HEATING PROBE 2050W 230V
C00273277	HEATER ELEMENT 1900W 230V
C00273279	HEATER ELEMENT 1950W 230V

Hinges



CODE	DESCRIPTION
C00023845	HINGE PLATE OUTER CASE
C00035764	DOOR HINGE (CABINET)
C00043636	HINGE PIVOT
C00056261	FURNITURE DOOR HINGE
C00064541	OUTER DOOR HINGE ASSEMBLY
C00119413	DOOR HINGE
C00201283	DOOR HINGE BEARING WHITE
C00255430	DOOR HINGE

Knobs



CODE	DESCRIPTION
C00070167	KNOB

Modules



CODE	DESCRIPTION
C00033067	ELECTRONIC MODULE 800 RPM
C00037892	ELECTRONIC MODULE 1000 RPM
C00049373	DIGITAL MODULE REMCO 5506 (HL)
C00066454	DIGITAL CONTROL MODULE (HL)
C00078554	A.MD.UNIV.REMCO 5151.D

Motor Brushes



CODE	DESCRIPTION
C00114885	CARBON BRUSH FOR MOTOR SOLE
C00194593	BRUSH ASS. MOTOR CESET BULK
C00197976	MOTOR BRUSH SET GDA
C00201861	MOTOR BRUSH SET FHP
C00202407	ER BOSCH BRUSH SET
C00202408	BRUSH ASSY
C00202414	MOTOR BRUSH CESET (HL)
C00251802	BRUSH MOTOR REACTION
C00252589	CARBON BRUSHES
C00267683	BRUSH ASSY. ACC UOZ112 G 55
C00267694	BRUSH KIT ACC UOZ112 G 55
C00273898	CARBON BRUSH FOR MOTOR WELLING 4.0A 40W

2 pcs



CODE	DESCRIPTION
C00194594	MOTOR BRUSH CESET 2PCS
C00196539	CARBON BRUSH 2PCS
C00196540	CARBON BRUSH 2PCS
C00196541	CARBON BRUSH MOT.SELNI 2PCS
C00196542	CARBON BRUSH MOT.SELNI 855 2PCS
C00196544	CARBON BRUSH MOT.ICE 2PCS
C00196545	CARBON BRUSH MOT.ICE 16 POLI 2PCS
C00196546	CARBON BRUSH MOT.SOLE 2PCS
C00196549	CARBON BRUSH CESET TIPO 6170 95490 2PCS
C00196550	CARBON BRUSH MOT.SIEMENS 1BA57 2PCS
C00196554	CARBON BRUSH 2PCS

Pipes

Inlet



CODE	DESCRIPTION
C00003070	MAINS INLET HOSE COLD 25C 10BAR 1,5M ROH
C00039684	INLET HOSE WITH SAFETY-HYDROBLOCK MT.1,5
C00044534	INLET HOSE 3 MT.
C00046069	INLET HOSE WITH SAFETY-HYDROBLOCK 'MT.3'
C00194506	FILL HOSE DUAL 'Y' FILL 1200MM
C00263747	COLD FILL HOSE BLUE 1.5 MT
C00263748	COLD FILL HOSE BLUE 2.5 MT
C00263749	COLD FILL HOSE RED 1.5 MT
C00263750	COLD FILL HOSE RED 2.5 MT
C00282407	INLET HOSE STD ANTIOVERFLOW L 1930 MM

Outlet



CODE	DESCRIPTION
C00019903	DRAIN HOSE (PLASTIC) 1895 MM
C00023860	DRAIN HOSE (PLASTIC)
C00026297	DRAIN HOSE 3 MT.
C00027466	DRAIN HOSE - TO SINK L=1860MM
C00045960	DRAIN HOSE SPIRAL (UNIVERSAL)
C00143649	DRAIN HOSE - TO SINK
C00272666	OUTLET HOSE 19X22 1,5M (BN)

Other

CODE	DESCRIPTION
C00030385	DETERGENT RECOVERY HOSE
C00066183	HOSE DISPENSER TO TANK
C00103656	HOSE - DISPENSER TO TANK

Pressure Switches



CODE	DESCRIPTION
C00008677	PRESSURE SWITCH 1 LEVEL
C00020187	PRESSURE SWITCH 1 LEVEL
C00057877	PRESSURE SWITCH 1 LEVEL 225 / 110
C00085193	PRESSURE SWITCH 1 LEVEL IDC
C00086660	PRESSURE SWITCH 1 LEVEL 93-68 + ANTIOVER
C00094717	PRESSURE SWITCH
C00096880	PRESSURE SWITCH (HL)
C00110327	PRESSURE SWITCH 1 L. + ANTIOVERFLOW (HL)

CODE	DESCRIPTION
C00110328	PRESSURE SWITCH 1 L.80 -55 + ANTIOWER330
C00110332	PRESSURE SWITCH 1 L.76-50+ANTIOW.310(HL)
C00111493	PRESSURE SWITCH 1+1 LIV. TL EVOII
C00112659	PRESSURE SWITCH
C00143651	PRESSURE SWITCH (HL)
C00145174	PRESSURE SWITCH 1 L. 85-60 +ANTIOW.380
C00254525	PRESSURE SWITCH 100-75 VPL ARCADIA
C00259298	PRESSURE SWITCH R2.5 85/60 OVERFLOW 330
C00272450	LINEAR PRESSURE SWITCH

Probes



CODE	DESCRIPTION
C00053573	TEMPERATURE SENSOR (HL)
C00083915	THERMISTOR NTC
C00098739	TEMPERATURE SENSOR NTC RAST 2,5 (HL)

Pulleys



CODE	DESCRIPTION
C00055043	DRUM PULLEY D= 280 MM
C00089616	DRUM PULLEY 400-600 GIRI
C00165972	PULLEY WHEEL & ARM
C00199343	DRUM PULLEY D=280 MM H=20 MM

Shock Absorbers



CODE	DESCRIPTION
C00030340	SHOCK ABSORBER 80 N
C00031419	SHOCK ABSORBER 100 N
C00050560	SHOCK ABSORBER
C00050562	SHOCK ABSORBER
C00055039	SHOCK ABSORBER 120 N
C00057952	SHOCK ABSORBER
C00058478	SHOCK ABSORBER
C00064503	SHOCK ABSORBER 80 N
C00086515	SHOCK ABSORBER 80 N (11105) 10,1MM
C00093884	SHOCK ABSORBER 80 N 8,15 MM
C00093885	SHOCK ABSORBER 120 N 8,15 MM
⚠ C00112693	DAMPER KIT

CODE	DESCRIPTION
C00119111	SHOCK ABSORBER 100 N
C00140670	SHOCK ABSORBER 100 N
C00140744	SHOCK ABSORBER 100 N KIT
C00141042	SHOCK ABSORBER 100N KIT
C00196002	SHOCK ABSORBER 120N TOP
C00197934	SUSPENSION KIT
C00271755	SUSPENSION DAMPER KIT (6 & 7KG) ★ NEW

Small Parts



CODE	DESCRIPTION
C00019705	STRIKER - DOOR CATCH
C00029588	FRICTION PAD
C00039667	OIL SEAL BEARING + SPIDER/TANK SEAL
C00042890	SEALING RING 600 RPM D64XD25XH10.5
C00046949	DOOR HINGE SUPPORT
C00051503	SEALING
C00064789	LIFTER - EXTRACTABLE
C00065463	LIFTER 40 - 46L
C00068510	SEALING RING
C00082696	STANDARD BEARING OIL SEAL (35x62x75mm)
C00092156	DOOR SEAL RETAINER FRONT
C00094275	KIT PLUG
C00096186	STANDARD OIL SEAL
C00096195	SUSPENSION SPRING
C00097565	LIFTER
C00112681	LIFTER
C00118056	DOOR HINGE SUPPORT
C00146457	INTERLOCK BOX OF 360**
C00197587	DRUM SUPPORT
C00199113	INTERLOCK
C00199946	DOOR INTERLOCK (HL)

Star Wheels



CODE	DESCRIPTION
C00033021	STAR WHEEL WITH SEALING RINGS 600 RPM
C00034398	KIT DRUM TRIANGLE ROD'600 RPM
C00037028	BEARING ASSEMBLY (SPLINES) 400-600-800 R
C00074648	BEARING SPIDER ASSEMBLY
C00089734	BEARING SPIDER 800-1000 RPM
C00096077	BEARING SPIDER ASSEMBLY
C00117329	35mm DRUM SPIDER BEARING

Suppressors



CODE	DESCRIPTION
C00026359	RADIO INTERFERENCE SUPPRESSOR
C00064559	RADIO INTERFERENCE SUPPRESSOR
C00065987	RADIO INTERFERENCE SUPPRESSOR

Switches



CODE	DESCRIPTION
C00030358	ON-OFF SWITCH(NA+NA 2POLE E0040)

Thermostats



CODE	DESCRIPTION
C00019650	ADJUSTABLE THERMOSTAT
C00081939	ADJUSTABLE THERMOSTAT
C00089982	THERMOSTAT
C00105042	THERMOSTAT
C00115570	THERMOSTAT

Timer

Eaton



CODE	DESCRIPTION
C00032698	TIMER EATON 9313
C00033059	TIMER EATON EC 4254.02
C00046265	TIMER EATON EC 4425M1 220/240 V
C00054735	TIMER EATON EC 4684
C00057249	TIMER EATON EC 4725.01

Elbi



CODE	DESCRIPTION
C00034531	TIMER ELBI 1336 910B31 CE/N
C00049196	TIMER ELBI 5000 0678
C00049368	WASH TIMER ELBI 0718/2 220/240V

CODE	DESCRIPTION
C00049378	TIMER ELBI 5000 0698
C00065975	TIMER ELBI 0748/1.A /0748/2.A PLATE GREE
C00105093	TIMER 1136 (910B2I) CD/N 914/249 910/2

Washing Motors

Collectors



CODE	DESCRIPTION
C00056962	MOTOR ICE 850/1000 RPM (HL)
C00074209	MOTOR COLLECTOR 850/1000 RPM
C00074221	MOTOR (HL)
C00118057	FHP MOTOR
C00143611	MOTOR 1400 ACC 45 stator
C00202063	MOTOR KIT AC (HL)
C00046524	MOTOR
C00141100	MOTOR ICE 850/1000 RPM P30 40L
C00046533	MOTOR 1000 KIT RPM
C00263959	MOTOR COLLECTOR P52 1/2 1400G (HL)
C00046626	MOTOR
C00092153	MOTOR COLLECTOR 850-1000 RPM (HL)
C00094185	MOTOR 1200 R.P.M./MIN. 2040M3 (HL)
C00111492	MOTOR COLLET.CESET P30 TL EVOII
C00112577	MOTOR 1400 ACC 60MM (HL)
C00114037	MOTOR COLLET.CESET P45 TL EVOII
C00116111	MOTOR 1400 R.P.M. CAST.ALF
C00141663	MOTOR 1200 R.P.M./MIN. P52 EVO2
C00144832	MOTOR A COLECTOR 1000G.P45 VPL
C00145039	MOTOR COLLECTOR CES.1000/40L P38 D19
C00145609	MOTOR 1400RPM (52MM-STACK)
C00196700	MOTOR A COLECTOR 1600 RPM 52L P61

Triphase



CODE	DESCRIPTION
C00095348	MOTOR THREE PHASE 850 1000 RPM 940N1SNM
C00112768	MOTOR THREE PHASE (STATOR 50) (HL)
C00119188	MOTOR THREE PHASE CIM2-55 ACC AD6
C00196979	MOTOR THREE PHASE CESET (STATOR 50)
C00265826	MOTOR THREE PHASE PACCO40
C00265834	MOTOR THREE PHASE P40 TL EVOII

CODE	DESCRIPTION
C00045027	PUMP FILTER KIT
C00083894	LIFTER WITH WEIGHT
C00087354	INSTALLATION HINGE KIT (20121)
C00093772	DRUM SUB KIT
C00095635	DOOR BOWL RETAINER
C00103663	OUTLET HOSE COUPLING
C00199348	HEATER BOX ASSY VER3
C00200385	DOOR TRIM KIT WHITE
C00201776	LIFTER
C00202418	35MM BEARING KIT
C00203636	SUPPORT & BEARINGS
C00272306	SMART READER FOR CARD 8KB 32KB + HOOD



Limescale and detergent remover

Concentrated powder formula for washing machines and dishwashers. It cleans thoroughly the internal parts of the appliance and removes all limescale, soap deposits and encrustations.



Problems with limescale?

- Limescale coats the heating elements of your washing machine and dishwasher.
- Limescale can damage the internal components of your appliance.
- A 1.6 mm coating of limescale on a heating element can make it up to 12% less effective.
- Limescale can cause premature appliance failure.

Problems with detergent build-up?

- Detergent builds up inside your washing machine and dishwasher, causing them to function less effectively.
- This detergent build-up is the perfect home for bacteria.
- This bacteria causes bad odours and discolouration.



We have the solution!



Our limescale and detergent remover:

- Removes limescale deposits in hard water areas.
- Removes detergent and grease build-up in soft water area.
- Maximises the performance and efficiency of the appliance.
- Hygienically cleans the internal parts of the appliance.
- Removes the bacteria that cause bad odours.
- Is suitable for all makes of washing machine and dishwasher.

USE

- Put the powder into the detergent dispenser.
- Do not add detergent.
- Start an empty wash cycle at 60 °C without pre-wash.
- Hygienically cleans the internal parts of the appliance.
- Use once a month.

CODE	BRAND	LANGUAGES		
C00082056	HOME PROFESSIONAL	IT, ES, PT, TR	10 DOSES	10
C00090872	HOME PROFESSIONAL	FR, EN, DE, NL, IT, ES, PT, CS, SK	10 DOSES	10
C00091774	HOME PROFESSIONAL	IT, PT, TR, RU	5 DOSES	5
C00090865	HOME PROFESSIONAL	FR, EN, DE, NL, IT, ES, PT, CS, SK	5 DOSES	5
C00076202	HOME PROFESSIONAL	FR, IT, NL, EN	5 DOSES	5
C00090482	HOME PROFESSIONAL	PL, HU, CS, SK	5 DOSES	5
C00090395	HOME PROFESSIONAL	RO, EL, UK	5 DOSES	5
C00090833	HOME PROFESSIONAL	SV, EN, FI, DA, NL	5 DOSES	5
C00090842	HOME PROFESSIONAL	FR, EN, DE, NL, IT, ES, PT, CS, SK	1 DOSES	1
C00090209	HOME PROFESSIONAL	IT, ES, PT, TR, EN, FR, DE, RU, NL	250 DOSES	250

Aquafilter



Protects the inner components of dishwashers and washing machines from any impurities present in the water, reducing dramatically the maintenance costs.

- It is either for the washing machine and for the dishwasher.
- It filters chlorine, sand, rust metal sediment and limescale, etc. improving the quality of the wash and allowing savings on energy and soap;
- Easy to install.

The cartridge has to be substituted every 2-6 months depending on the number of uses as indicated from the indicator.

CODE		BRAND	LANGUAGES	
C00076440	AQUAFILTER + 1 CART.	HP	IT, EN, TR, RU	1
C00089598	CARTRIDGE	HP	IT, EN, FR, DE, ES, PT, RU, UK, TR	1

Water Block



Safety device indispensable for washing machines and dishwashers. It should be installed between the tap and the feeding pipe of the domestic appliance. In case of breakdown, it stops the water supply preventing leakages and damages.

CODE	LANGUAGES	
C00269540	EN, FR, DE, IT	1

Calblock



Ecological and magnetic water softener for washing machines and dishwashers. It prevents limescale deposits on the internal parts of the appliance caused by hard water and provides excellent washing performances with a lower quantity of detergent.

- Stops limescale from forming, ensuring greater efficiency and longer life of the appliance.
- Makes your clothes and delicates last longer thanks to the reduced use of detergents, softeners and additives.
- On dishwashers Calblock reduces the need of salt and rinse aid, ensuring crockery and glasses without water stains

It lasts a minimum average up to 24 months.

CODE	BRAND	LANGUAGES	
C00089789	HOME PROFESSIONAL	IT, EN, RU, TR, UK	1
C00090530	HOME PROFESSIONAL	PL, HU, CS, EL, RO	1

Index

Anode	84	Thermostats water heaters	84
Heaters	84	Other	84
Lamps	84	Home care and water treatment	85

Home



Anode



CODE	DESCRIPTION
C00025938	ANODO 50 L
C00030975	ANODO MAGN.21,3X380 M8
C00031835	ANODO MG LT 30 L=210 D=16
C00032070	ANODE MAGNESIUM 280X25,5 M5
C00040261	ANODO DI MAGNESIO 21,3 X 255 M8
C00044406	ANODO MAGNESIO DA M8 21,3X660'PERLA 5/15

Heaters



CODE	DESCRIPTION
C00031836	HEATING ELEMENT RSCA 1200W-220V

Lamps



CODE	DESCRIPTION
C00042985	LAMP 40W
C00131593	LAMP 40W 240V

Thermostats Water Heaters



CODE	DESCRIPTION
C00014877	THERMOSTAT TAS-AR 300 FP

Other

CODE	DESCRIPTION
C00265576	ELECTRONIC BOX (IX)
C00265577	ELECTRONIC BOX (IX)

Microfiber Cloth



The cloth cleans and disinfects all surfaces without the need for detergents

- The microfibres used are 250 times finer than a strand of hair, and consequently penetrate the pores of the surface removing all dirt;
- Ideal for cleaning all sorts of surfaces in the kitchen made from steel wood, metal, plastic, mirrors etc. and it does not scratch or alter treated surfaces;
- The cloth can be used dry for dusting or moistened with hot water and without the use of detergents.

CODE	BRAND	LANGUAGES	
C00062715	HOME PROFESSIONAL	EN, IT, ES, PT, DA/NO, SV, TR,	12
		RO, RU, UK, KZ, PL, HU, CS, SK, EL	

Filtr'o



This easy-to-install device gives a higher quality to the cooking and the drinking water, by filtering any impurities which are present in water (chlorine, sand, metal deposits, limescale, etc.).

In the kitchen it improves the quality and taste of food and drinks whilst in the bathroom it increases oral hygiene.

- The filter prevents the multiplication of bacteria thanks to its patented antibacterial silver-plated disc;
- Easy to install, It has a universal adapter for any tap;
- It works with both hot and cold water, and it is fitted with a tap enabling the selection of filtered and non filtered water.

The cartridge has to be substituted every 2-3 months allowing a big saving.

CODE	BRAND	LANGUAGES	
C00086808	FILTR'O	IT,ES,PT,TK	1
C00089599	CARTRIDGE	IT,EN,FR,DE,ES,PT,RU,TK	

