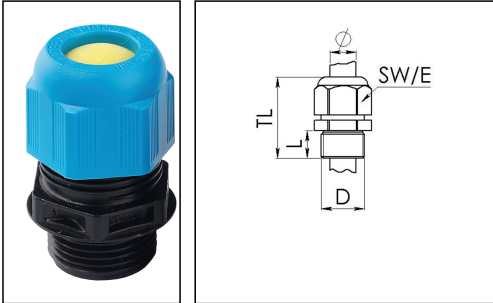


ESKE/1-i 20 LT

Ex-cable gland LowTemp, polyamide with short thread



Product illustrations are exemplary and may differ from the chosen product. Further variants and individual customization, we will gladly provide you on request.



Material cable gland	Polyamide
Material sealing gasket	Silicone
Temp. range min	-60 °C
Temp. range max	75 °C
Protection class	IP 66 / IP 68, 5 bar 30 min
Marking	II 2 D Ex tb IIIC Db IP68, II 2 G Ex e IIC Gb
Approval	IECEX PTB 13.0034X, PTB 13 ATEX 1015 X
Glow wire test	750 °C
Colour	RAL 5012/9005
Thread type	M
Connection thread size D	20
Lead	1,5
Length screw-in thread L	10 mm
Cable diameter min	7 mm
Cable diameter max	13 mm
Key width SW	24 mm
Collar diameter (E)	28 mm
Total length TL	36 mm - 45 mm
Install. torques fitting	2,3 N m
Install. torques cap nut	1,5 N m
Type of cable anchorage	A
Impact category	4
Product Color	RAL 9005
Order no. RAL 9005	10103439
Type	ESKE/1-i 20 LT

Packing unit

50

ETIM-Classification

EC000441

Recommended accessories

EMUG 20

10061782

RDE 20 LT

10063909

24.07.2015

