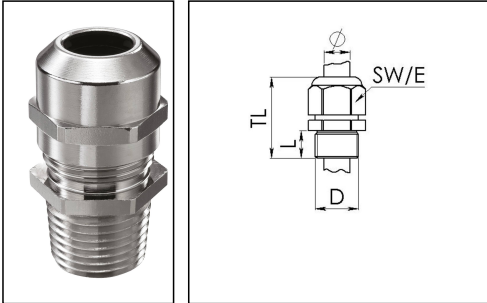


NMSKV 3/4

Cable gland, brass



Product illustrations are exemplary and may differ from the chosen product. Further variants and individual customization, we will gladly provide you on request.



Material cable gland	Brass nickel-plated
Material clamping cage	Polyamide
Material sealing gasket	EPDM
Temp. range min	-40 °C
Temp. range max	100 °C
Intermittent temp. range	120 °C
Protection class	IP 68, 5 bar 30 min, IP 69K
Thread type	NPT
Connection thread size D	3/4"
Length screw-in thread L	16 mm
Cable diameter min	9 mm
Cable diameter max	17 mm
Cable Diameter UL	10,8 mm - 15,8 mm
Key width SW	29 mm
Collar diameter (E)	32 mm
Type of cable anchorage	A
Install. torques fitting	10 N m
Install. torques cap nut	10 N m
Impact category	6
Total length TL	40 mm - 48 mm
Surface	Nickel-plated
Order no. nickel-plated	10065483
Type	NMSKV 3/4
Packing unit	50
ETIM-Classification	EC000441

Recommended accessories

MFD 25/02/060	10060452
RDE 25	10060768
MFD 25/02/080	10060952
MFD 25/01/065	10060954
MFD 25/02/070	10063995
BS 12	10064009
MFD 25/03/070	10064342
MFD 25/04/060	10064343
NMMU 3/4	10100975
MFD 25/01/090	10101016
MFD 25/01/105-01/055	10101255
MFD 25/05/056	10102023

24.07.2015

