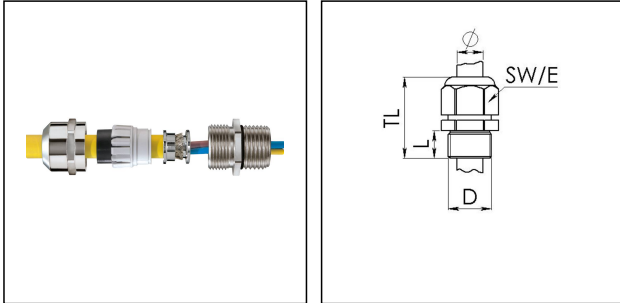


## EMSKV-L 63 EMV-Z

EMC-cable gland, brass with long thread



Product illustrations are exemplary and may differ from the chosen product. Further variants and individual customization, we will gladly provide you on request.



Material cable gland	Brass nickel-plated
Material sealing gasket	EPDM
Material clamping cage	Polyamide
Material earthing insert	Brass chromium-plated
Temp. range min	-40 °C
Temp. range max	100 °C
Intermittent temp. range	120 °C
Protection class	IP 68, 5 bar 30 min, IP 69K
Thread type	M
Connection thread size D	63
Lead	1,5
Length screw-in thread L	15 mm
Cable diameter min	34 mm
Cable diameter max	48 mm
Cable Diam. below cable shield	45 mm
Cable Diameter UL	38,1 mm - 47,5 mm
Key width SW	68 mm
Collar diameter (E)	75 mm
Total length TL	61 mm - 72 mm
Surface	Nickel-plated
WISKA-Order no.	10065189
Type	EMSKV-L 63 EMV-Z
Packing unit	10
ETIM-Classification	EC000441

Recommended accessories

<b>RDE 63</b>	10062189
<b>EMMU-EMV 63</b>	10063217
<b>BS 38</b>	10064018
<b>BS 48</b>	10064019

24.07.2015

