

**RAYVIEW**™

**RAYBOX**™



**X-RAY INSPECTION MACHINES**

Designed especially to control products in glass jars, glass bottles, tinplate cans, carton bricks, plastic containers.

X-ray is a valid method for tracing and rejecting various types of (high density) contaminants.  
 The minimum size is strongly affected by the type of container, its shape and the type of product it contains:

- Glass fragments with sizes from 3x3x3 mm (glass in glass)
- Metal fragments (iron, steel, copper, etc.), with sizes from 1x1x1 mm
- Stones and bones with sizes from 3x3x3 mm
- Some plastics and rubbers depending on the composition and relative density.

The effectiveness of the control, as well as the minimum detectable defect, is proportionate to the minimum number of false rejects, which in RAYTEC systems is considered to be 7/10,000 inspected products.

In addition to detecting foreign bodies, it is also possible to control:

- The shape and conformity of the container (such as dents or breakages)
- Filling level
- Easy Open side in tinplate cans

## RAYVIEW™

Rayview main characteristics:

- Panoramic View and Standard View;
- High flexibility in product changeover to inspect different kind of containers;
- Possibility to inspect big cans and jars;
- Low X-Ray emission 0,1 mSv.

## RAYBOX™

Raybox main characteristics:

- Panoramic View and Standard View;
- Compact design to be installed in tight spaces;
- High capacity (up-to 1200 cpm).
- Low X-Ray emission 0,1 mSv.



Rayview is equipped with vertical sliding tunnels for the easy access during cleaning and maintenance.





## VIEWING TECHNIQUE

The years of development and accumulated experience in the field of Panoramic vision is confirmed in those Rayview and Raybox versions, which offers increased performance thanks to the new algorithms implemented in the system. Contrary to other systems present on the market, the ray-emission lamp is automatically oriented by the software to obtain a better image of both the jar and its base.

## MONOBLOCK GENERATOR

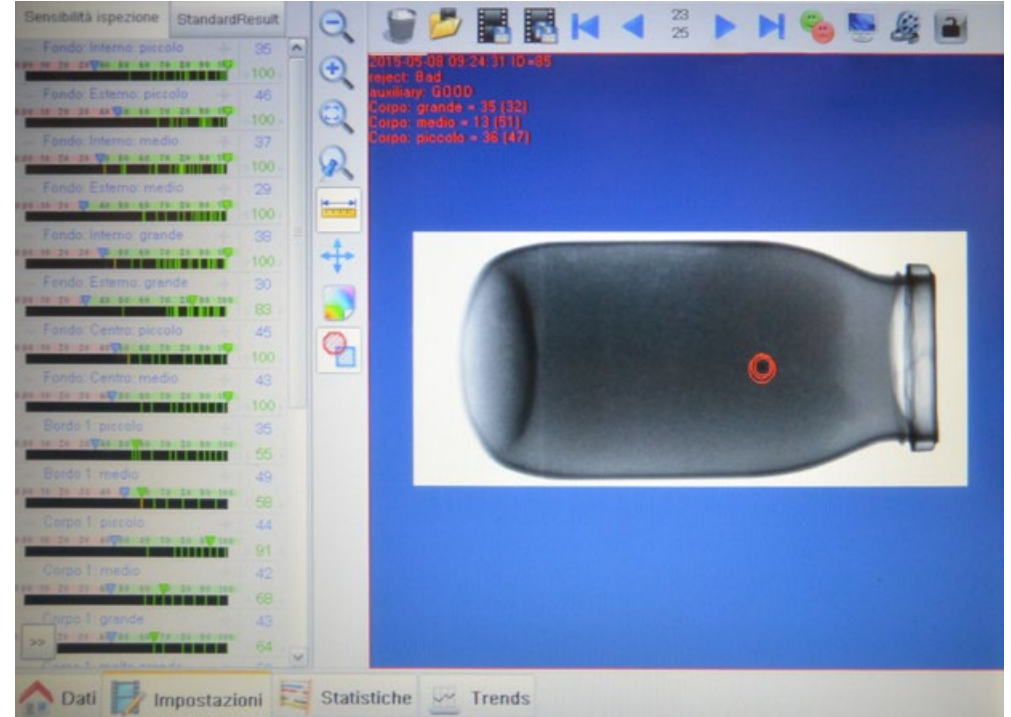
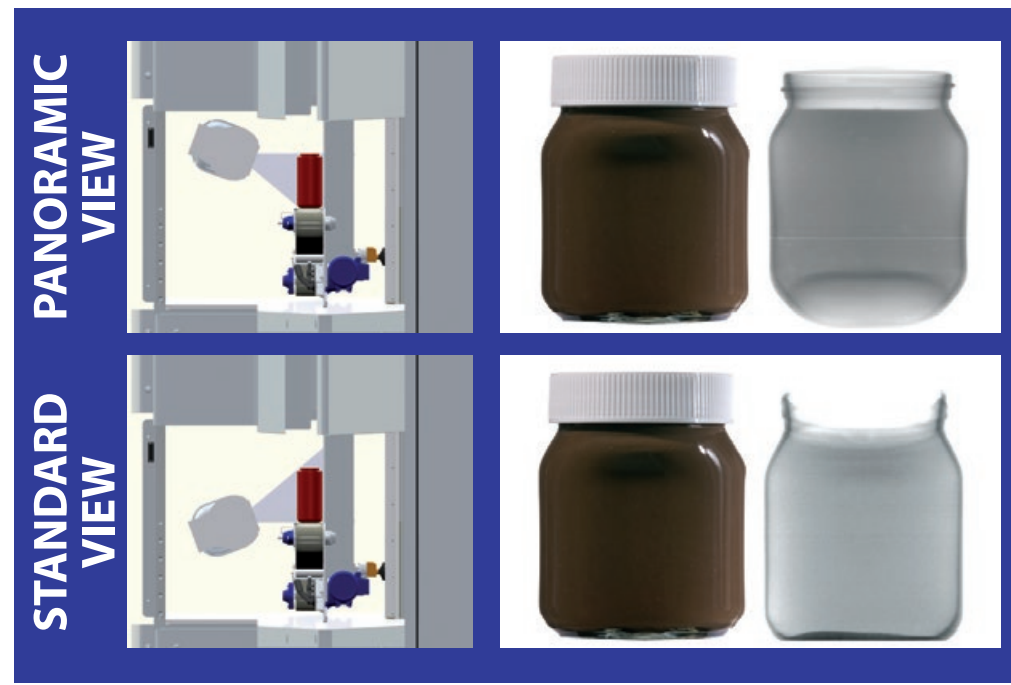
One of the main intentions of the RAYVIEW and RAYBOX project was to eliminate some of the weak points in generating X-rays. While maintaining its ability to be fitted with all generators and lamps available on the market, this new inspection machine uses a monoblock generator-lamp unit (with no high-voltage cable) that increases reliability and reduces maintenance costs.

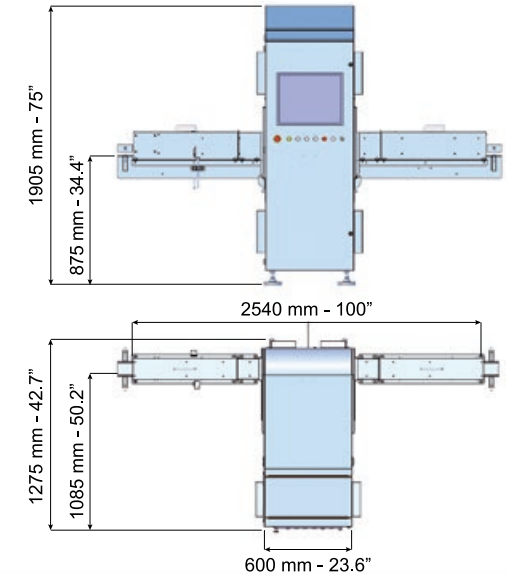
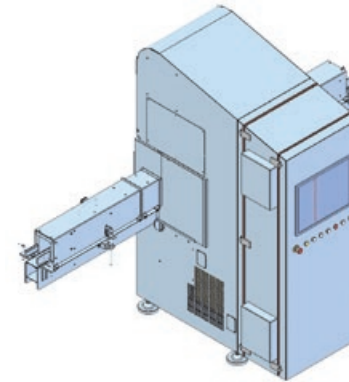
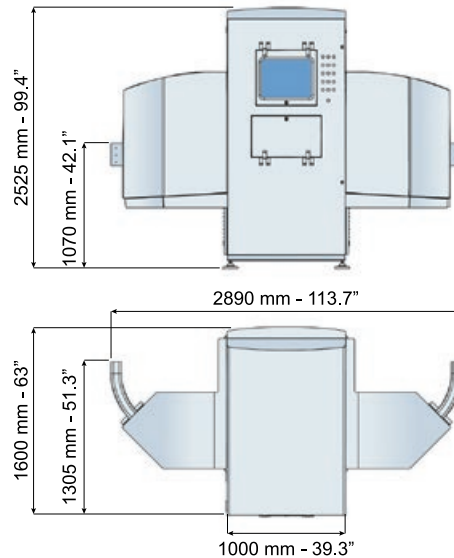
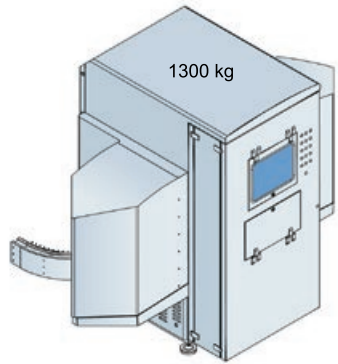
## OPENABLE TUNNELS

With RAYVIEW, you can say goodbye to heavy, cumbersome tunnels to reduce radiation emissions towards the outside, which being fully lead-lined were difficult to remove. This machine mounts small but effective, pneumatically opening tunnels that are both safe and quickly removed.

## REJECTS

The RAYVIEW and RAYBOX can be fitted with a single or multiple expulsion system positioned outside the machine, both of which are controlled by an automatism that assures not only the synchronisation of the expulsion of the rejected jar, but also monitors its effective expulsion. The reject system is positioned outside the machine to facilitate reject condition monitoring.





## TECHNICAL FEATURES

Typical inspectable containers	Glass Jars, Tinplate Cans, Carton Bricks, Plastic Jars
Max diameter	155 mm [6"]
Max inspection speed	100 m/min (Standard 45 m/min) [328 ft/min (Standard 147 ft/min)]
Sensor height	256 mm - 410 mm [10" - 16"]
Pixel size	0,4x0,4 mm - 0,8x0,8 mm [0.015"x0.015" - 0.031"x0.031"]
Ejection type	Electro pneumatic Cilinder
Operator interface	17" color touch-screen monitor
External and/or remote access	Ethernet or modem
Frame material	AISI 304
Sensor protection degree	IP55
<b>Power supply and consumption</b>	
Machine power supply	3PH + GND
Machine voltage	400 V
Frequency	50 HZ
Power absorption (2motors)	3 kW
Processing unit power absorption	500 W
High Voltage generator	300 W - 1kW
Electrical switchboard protection degree	IP55
<b>Compressed Air</b>	
Operating pressure	4+6 bar [58+87 psi]
Max air consumption	50 NI/min [1.76 Ncuf/min] (**)
<b>Cooling Unit</b>	
Refrigerated closed circuit system	1.5 kW*** (when applicable)

## TECHNICAL FEATURES

Typical inspectable containers	Glass Jars, Tinplate Cans, Carton Bricks, Plastic Jars
Max diameter	155 mm [6"]
Max inspection speed	100 m/min (Standard 45 m/min) [328 ft/min (Standard 147 ft/min)]
Sensor height	256 mm [10"]
Pixel size	0,4x0,4 mm - 0,8x0,8 mm [0.015"x0.015" - 0.031"x0.031"]
Ejection type	Electro pneumatic Cilinder
Operator interface	17" color touch-screen monitor
External and/or remote access	Ethernet or modem
Frame material	AISI 304
Sensor protection degree	IP55
<b>Power supply and consumption</b>	
Machine power supply	3PH + GND
Machine voltage	400 V
Frequency	50 HZ
Power absorption (2motors)	3 kW
Processing unit power absorption	500 W
High Voltage generator	300 W - 1kW
Electrical switchboard protection degree	IP55
<b>Compressed Air</b>	
Operating pressure	4+6 bar [58+87 psi]
Max air consumption	50 NI/min [1.76 Ncuf/min] (**)
<b>Cooling Unit</b>	
Refrigerated closed circuit system	1.5 kW*** (when applicable)

Nota: (\*) max pression 18bar - (\*\*) depending on rejected product - (\*\*\*) with generator of 1kW  
All characteristics listed above are not binding and are subjected to change without previous notice.

Nota: (\*) max pression 18bar - (\*\*) depending on rejected product - (\*\*\*) with generator of 1kW  
All characteristics listed above are not binding and are subjected to change without previous notice.