



PROFILE PC

MADE IN ITALY

Standard lengths 2 METERS

(on request we provide higher lengths)

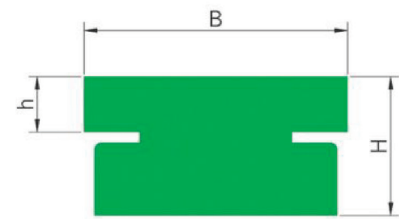
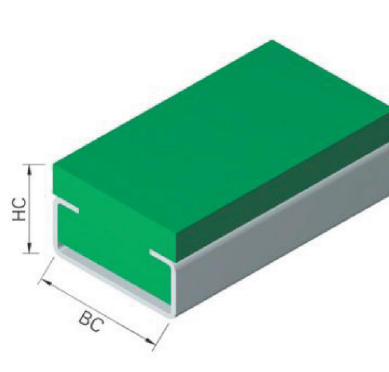
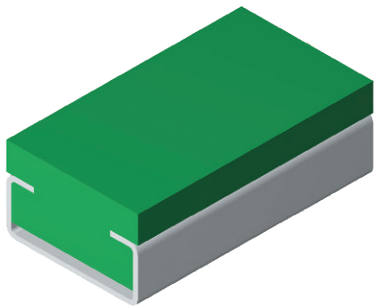
Material: PE-UHMW High molecular weight polyethylene (p.m. other 1.000.000)

Color: green

Specific gravity: g/cm³ 0,945Dynamic friction coefficient: 0.2 (P = 0.05 N/mm² - V = 0.6 m/s - T = 40°C)

Temperature range : -70°C ÷ 65°C

Linear thermal expansion: mm 2 every 10°C from the temperature of 20°C.



| DESCRIPTION | ARTICLE CODE | B | H | BC | HC | h | METALLIC PROFILE | WEIGHT |
|-------------|--------------|------|------|------|------|------|------------------|----------|
| | | mm | mm | mm | mm | mm | | Kg/piece |
| PC-01 | GC 2 60 01 2 | 20.0 | 10.0 | 20.0 | 14.0 | 4.0 | C-3 | 0,36 |
| PC-02 | GC 2 60 02 2 | 20.0 | 15.0 | 20.0 | 17.0 | 7.0 | C-3 | 0,50 |
| PC-03 | GC 2 60 03 2 | 20.0 | 20.0 | 20.0 | 22.0 | 12.0 | C-3 | 0,73 |
| PC-04 | GC 2 60 04 2 | 28.0 | 10.0 | 28.0 | 15.0 | 3.0 | C-5 | 0,53 |
| PC-05 | GC 2 60 05 2 | 28.0 | 15.0 | 28.0 | 18.0 | 6.0 | C-5 | 0,80 |
| PC-06 | GC 2 60 06 2 | 28.0 | 20.0 | 28.0 | 24.0 | 12.0 | C-5 | 1,06 |
| PC-07 | GC 2 60 07 2 | 38.0 | 10.0 | 38.0 | 21.0 | 3.0 | C-9 | 0,66 |
| PC-08 | GC 2 60 08 2 | 38.0 | 15.0 | 38.0 | 24.0 | 6.0 | C-9 | 1,01 |
| PC-09 | GC 2 60 09 2 | 38.0 | 20.0 | 38.0 | 30.0 | 12.0 | C-9 | 1,37 |

METALLIC PROFILE NOT INCLUDED

Note: all value have been measured in standard weather conditions: 23°C/73°F with 50% relative humidity (DIN 50005/ISO 554)

Quantity, availability and prices on B2B Chiaravalli

www.bibiscom.ro



PROFILE SF

MADE IN ITALY

Standard lengths 2 METERS

(on request we provide higher lengths)

Material: PE-UHMW High molecular weight polyethylene (p.m. other 1.000.000)

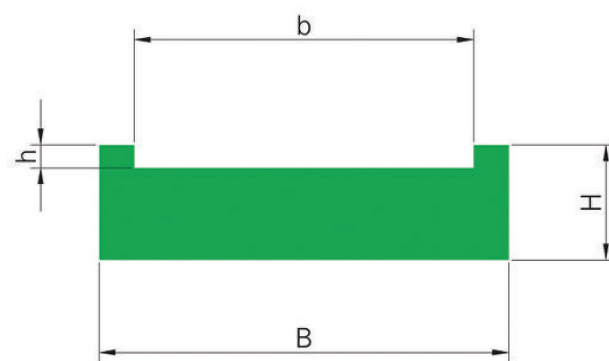
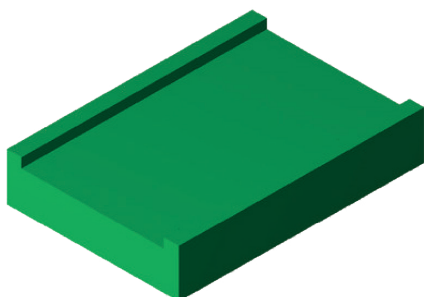
Color: green

Specific gravity: g/cm³ 0,945

Dynamic friction coefficient: 0.2 (P = 0.05 N/mm² - V = 0.6 m/s - T = 40°C)

Temperature range : -70°C ÷ 65°C

Linear thermal expansion: mm 2 every 10°C from the temperature of 20°C.



| DESCRIPTION | ARTICLE CODE | REFERENCE BELT | B | H | b | h | WEIGHT |
|-------------|--------------|------------------|-------|------|-------|-----|----------|
| | | | mm | mm | mm | mm | Kg/piece |
| SF 5-16 | GC 2 65 01 2 | T5 16-AT5 16 | 25.0 | 10.0 | 17.0 | 1.8 | 0,59 |
| SF 5-25 | GC 2 65 02 2 | T5 25-AT5 25 | 34.0 | 10.0 | 26.0 | 1.8 | 0,76 |
| SF 5-32 | GC 2 65 03 2 | T5 32-AT5 32 | 41.0 | 10.0 | 33.0 | 1.8 | 0,89 |
| SF 5-50 | GC 2 65 04 2 | T5 50-AT5 50 | 59.0 | 10.0 | 51.0 | 1.8 | 1,40 |
| SF 10-16 | GC 2 65 05 2 | T10 16-AT10 16 | 25.0 | 15.0 | 17.0 | 3.8 | 0,88 |
| SF 10-25 | GC 2 65 06 2 | T10 25-AT10 25 | 34.0 | 15.0 | 26.0 | 3.8 | 1,14 |
| SF 10-32 | GC 2 65 07 2 | T10 32-AT10 32 | 41.0 | 15.0 | 33.0 | 3.8 | 1,34 |
| SF 10-50 | GC 2 65 08 2 | T10 50-AT10 50 | 59.0 | 15.0 | 51.0 | 3.8 | 1,85 |
| SF 10-75 | GC 2 65 09 2 | T10 75-AT10 75 | 84.0 | 15.0 | 76.0 | 3.8 | 2,57 |
| SF 10-100 | GC 2 65 10 2 | T10 100-AT10 100 | 109.0 | 15.0 | 101.0 | 3.8 | 3,28 |
| SF 20-25 | GC 2 65 11 2 | T20 25-AT20 25 | 34.0 | 20.0 | 26.0 | 7.0 | 1,52 |
| SF 20-32 | GC 2 65 12 2 | T20 32-AT20 32 | 41.0 | 20.0 | 33.0 | 7.0 | 1,79 |
| SF 20-50 | GC 2 65 13 2 | T20 50-AT20 50 | 59.0 | 20.0 | 51.0 | 7.0 | 2,47 |
| SF 20-75 | GC 2 65 14 2 | T20 75-AT20 75 | 84.0 | 20.0 | 76.0 | 7.0 | 3,71 |
| SF 20-100 | GC 2 65 15 2 | T20 100-AT20 100 | 109.0 | 20.0 | 101.0 | 7.0 | 4,94 |

Note: all value have been measured in standard weather conditions: 23°C/73°F with 50% relative humidity (DIN 50005/ISO 554)

Quantity, availability and prices on B2B Chiaravalli



PROFILE SFC

MADE IN ITALY

Standard lengths 2 METERS

(on request we provide higher lengths)

Material: PE-UHMW High molecular weight polyethylene (p.m. other 1.000.000)

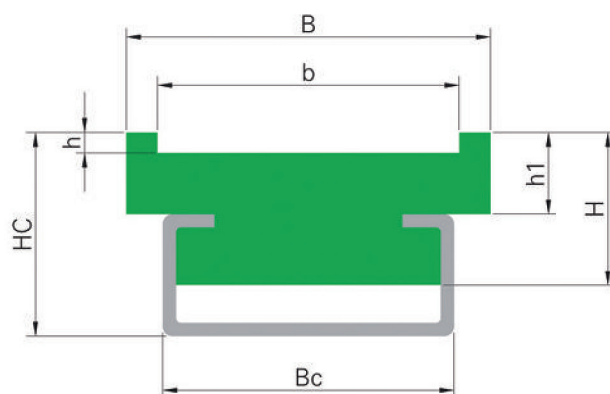
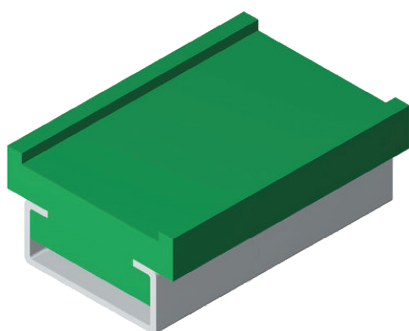
Color: green

Specific gravity: g/cm³ 0,945Dynamic friction coefficient: 0.2 (P = 0.05 N/mm² - V = 0.6 m/s - T = 40°C)

Temperature range : -70°C ÷ 65°C

Linear thermal expansion: mm 2 every 10°C from the temperature of 20°C.

4



| DESCRIPTION | ARTICLE CODE | REFERENCE BELT | B | H | BC | HC | h1 | b | h | METALLIC PROFILE | WEIGHT |
|-------------|--------------|------------------|-------|------|------|------|------|-------|-----|------------------|----------|
| | | | mm | mm | mm | mm | mm | mm | mm | | Kg/piece |
| SFC 5-16 | GC 2 70 01 2 | T5 16-AT5 16 | 25.0 | 15.0 | 28.0 | 19.0 | 7.0 | 17.0 | 1.8 | C-5 | 0,88 |
| SFC 5-25 | GC 2 70 02 2 | T5 25-AT5 25 | 34.0 | 15.0 | 28.0 | 19.0 | 7.0 | 26.0 | 1.8 | C-5 | 1,14 |
| SFC 5-32 | GC 2 70 03 2 | T5 32-AT5 32 | 41.0 | 20.0 | 38.0 | 25.0 | 7.0 | 33.0 | 1.8 | C-9 | 1,79 |
| SFC 5-50 | GC 2 70 04 2 | T5 50-AT5 50 | 59.0 | 20.0 | 38.0 | 25.0 | 7.0 | 51.0 | 1.8 | C-9 | 2,79 |
| SFC 10-16 | GC 2 70 05 2 | T10 16-AT10 16 | 25.0 | 17.0 | 28.0 | 21.0 | 9.0 | 17.0 | 3.8 | C-5 | 1,18 |
| SFC 10-25 | GC 2 70 06 2 | T10 25-AT10 25 | 34.0 | 17.0 | 28.0 | 21.0 | 9.0 | 26.0 | 3.8 | C-5 | 1,52 |
| SFC 10-32 | GC 2 70 07 2 | T10 32-AT10 32 | 41.0 | 22.0 | 38.0 | 27.0 | 9.0 | 33.0 | 3.8 | C-9 | 2,23 |
| SFC 10-50 | GC 2 70 08 2 | T10 50-AT10 50 | 59.0 | 22.0 | 38.0 | 27.0 | 9.0 | 51.0 | 3.8 | C-9 | 3,09 |
| SFC 10-75 | GC 2 70 09 2 | T10 75-AT10 75 | 84.0 | 22.0 | 38.0 | 27.0 | 9.0 | 76.0 | 3.8 | C-9 | 4,63 |
| SFC 10-100 | GC 2 70 10 2 | T10 100-AT10 100 | 109.0 | 22.0 | 38.0 | 27.0 | 9.0 | 101.0 | 3.8 | C-9 | 6,18 |
| SFC 20-25 | GC 2 70 11 2 | T20 25-AT20 25 | 34.0 | 20.0 | 28.0 | 24.0 | 12.0 | 26.0 | 7.0 | C-5 | 1,52 |
| SFC 20-32 | GC 2 70 12 2 | T20 32-AT20 32 | 41.0 | 25.0 | 38.0 | 30.0 | 12.0 | 33.0 | 7.0 | C-9 | 2,23 |
| SFC 20-50 | GC 2 70 13 2 | T20 50-AT20 50 | 59.0 | 25.0 | 38.0 | 30.0 | 12.0 | 51.0 | 7.0 | C-9 | 3,09 |
| SFC 20-75 | GC 2 70 14 2 | T20 75-AT20 75 | 84.0 | 25.0 | 38.0 | 30.0 | 12.0 | 76.0 | 7.0 | C-9 | 4,63 |
| SFC 20-100 | GC 2 70 15 2 | T20 100-AT20 100 | 109.0 | 25.0 | 38.0 | 30.0 | 12.0 | 101.0 | 7.0 | C-9 | 6,18 |

METALLIC PROFILE **NOT INCLUDED**

Note: all value have been measured in standard weather conditions: 23°C/73°F with 50% relative humidity (DIN 50005/ISO 554)

Quantity, availability and prices on B2B Chiaravalli

www.bibiscom.ro



PROFILE V

MADE IN ITALY

Standard lengths 2 METERS

(on request we provide higher lengths)

Material: PE-UHMW High molecular weight polyethylene (p.m. other 1.000.000)

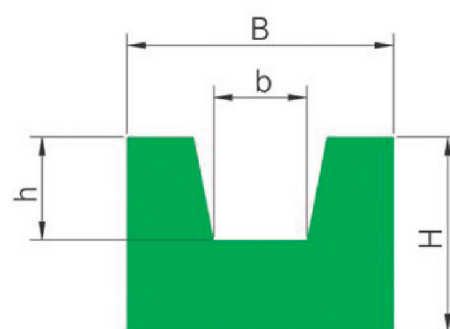
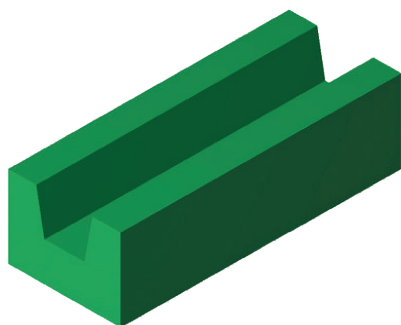
Color: green

Specific gravity: g/cm³ 0,945

Dynamic friction coefficient: 0.2 (P = 0.05 N/mm² - V = 0.6 m/s - T = 40°C)

Temperature range : -70°C ÷ 65°C

Linear thermal expansion: mm 2 every 10°C from the temperature of 20°C.



| DESCRIPTION | ARTICLE CODE | TRAPEZOIDAL BELT | B | H | b | h | WEIGHT |
|-------------|--------------|------------------|------|------|------|------|----------|
| | | | mm | mm | mm | mm | Kg/piece |
| V-01 | GC 2 75 01 2 | Z | 20.0 | 10.0 | 6.5 | 3.0 | 0,34 |
| V-03 | GC 2 75 03 2 | A | 20.0 | 12.0 | 8.0 | 5.0 | 0,34 |
| V-05 | GC 2 75 05 2 | SPB | 25.0 | 12.0 | 9.5 | 5.0 | 0,53 |
| V-07 | GC 2 75 07 2 | B | 30.0 | 15.0 | 10.5 | 8.0 | 0,67 |
| V-09 | GC 2 75 09 2 | C | 35.0 | 20.0 | 13.5 | 11.0 | 1,00 |
| V-11 | GC 2 75 11 2 | D | 40.0 | 25.0 | 19.0 | 13.0 | 1,50 |

Note: all value have been measured in standard weather conditions: 23°C/73°F with 50% relative humidity (DIN 50005/ISO 554)

Quantity, availability and prices on B2B Chiaravalli



PROFILE VC

MADE IN ITALY

Standard lengths 2 METERS

(on request we provide higher lengths)

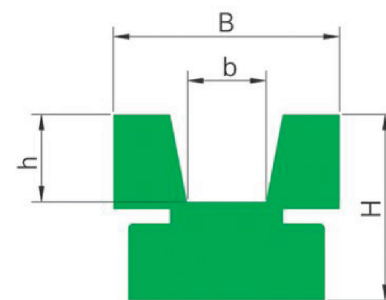
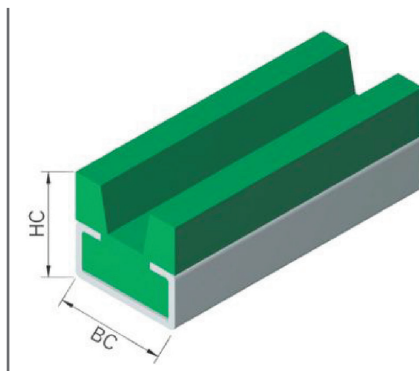
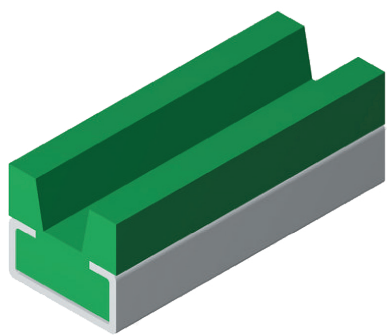
Material: PE-UHMW High molecular weight polyethylene (p.m. other 1.000.000)

Color: green

Specific gravity: g/cm³ 0,945Dynamic friction coefficient: 0.2 (P = 0.05 N/mm² - V = 0.6 m/s - T = 40°C)

Temperature range : -70°C ÷ 65°C

Linear thermal expansion: mm 2 every 10°C from the temperature of 20°C.



| DESCRIPTION | ARTICLE CODE | TRAPEZOIDAL BELT | B | H | BH | HC | b | h | METALLIC PROFILE | WEIGHT |
|-------------|--------------|------------------|------|------|------|------|------|------|------------------|----------|
| | | | mm | mm | mm | mm | mm | mm | | Kg/piece |
| VC-02 | GC 2 80 02 2 | Z | 20.0 | 15.0 | 20.0 | 17.0 | 6.5 | 3.0 | C-3 | 0,28 |
| VC-04 | GC 2 80 04 2 | A | 20.0 | 15.0 | 20.0 | 17.0 | 8.0 | 5.0 | C-3 | 0,27 |
| VC-06 | GC 2 80 06 2 | SPB | 25.0 | 20.0 | 28.0 | 24.0 | 9.5 | 5.0 | C-5 | 0,60 |
| VC-08 | GC 2 80 08 2 | B | 30.0 | 20.0 | 28.0 | 24.0 | 10.5 | 8.0 | C-5 | 0,72 |
| VC-10 | GC 2 80 10 2 | C | 35.0 | 25.0 | 38.0 | 32.0 | 13.5 | 11.0 | C-9 | 1,14 |
| VC-12 | GC 2 80 12 2 | D | 40.0 | 25.0 | 38.0 | 35.0 | 19.0 | 13.0 | C-9 | 1,12 |

METALLIC PROFILE NOT INCLUDED

Note: all value have been measured in standard weather conditions: 23°C/73°F with 50% relative humidity (DIN 50005/ISO 554)

Quantity, availability and prices on B2B Chiaravalli

www.bibiscom.ro

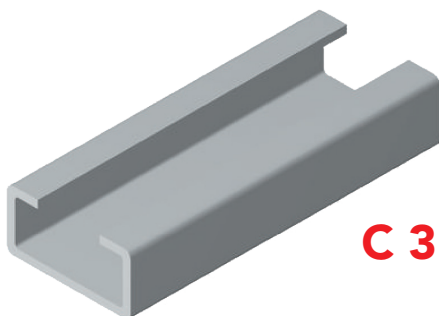
METAL STEEL HOLDERS



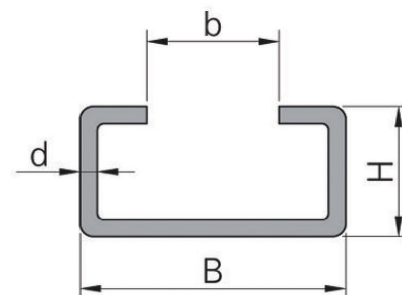
C 3 - 5 - 9 - 10 - 11

MADE IN ITALY

Material: galvanized steel FE
AISI 304 steel

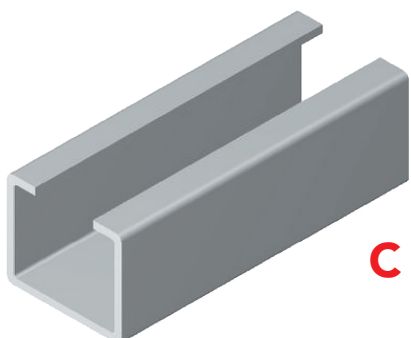


C 3 - 5 - 9

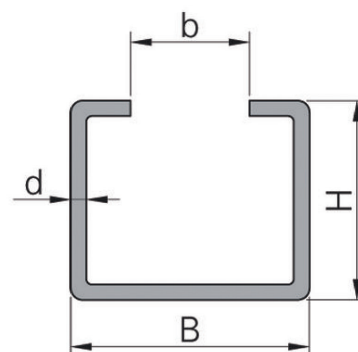


| DESCRIPTION | ARTICLE CODE | B | H | b | d | WEIGHT |
|---------------------|--------------|------|------|------|-----|--------|
| GALVANIZED STEEL FE | | mm | mm | mm | mm | Kg/m |
| C-3 ZINCATO | GC 0 00 03 2 | 20.0 | 10.0 | 10.0 | 1.5 | 0,86 |
| C-5 ZINCATO | GC 0 00 05 2 | 28.0 | 12.0 | 14.0 | 1.5 | 1,70 |
| C-9 ZINCATO | GC 0 00 09 2 | 38.0 | 18.0 | 22.0 | 1.5 | 1,96 |
| C-10 ZINCATO | GC 0 00 10 2 | 30.0 | 24.0 | 20.0 | 1.5 | 1,88 |
| C-11 ZINCATO | GC 0 00 11 2 | 45.0 | 40.0 | 31.0 | 1.5 | 4,10 |

| DESCRIPTION | ARTICLE CODE | B | H | b | d | WEIGHT |
|----------------|--------------|------|------|------|-----|--------|
| AISI 304 STEEL | | mm | mm | mm | mm | Kg/m |
| C-3 INOX | GC 0 10 03 2 | 20.0 | 10.0 | 10.0 | 1.5 | 0,86 |
| C-5 INOX | GC 0 10 05 2 | 28.0 | 12.0 | 14.0 | 1.5 | 1,70 |
| C-9 INOX | GC 0 10 09 2 | 38.0 | 18.0 | 22.0 | 1.5 | 1,96 |
| C-10 INOX | GC 0 10 10 2 | 30.0 | 24.0 | 20.0 | 1.5 | 1,88 |



C 10 - 11



Note: all value have been measured in standard weather conditions: 23°C/73°F with 50% relative humidity (DIN 50005/ISO 554)

Quantity, availability and prices on B2B Chiaravalli