



C.U.I. RO15564229, Nr. Inreg. R.C. J10/558/2003
 Sediul social: BERCA, str. Plesești, jud. BUZAU
 Capital social subscris și varsat: 400 LEI
 Cont IBAN: RO09 BRDE 100S V041 6457 1000
 Deschis la BRD sucursala Berca

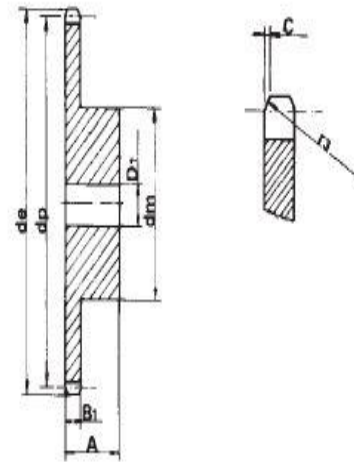
Telefon: +4 0238 510 851
 Fax: +4 0338 819 339
 Mobil: +4 0746 043 026
 E-mail: contact@bibiscom.ro
 Web site: www.bibiscom.ro

ROATA LANT PAS 1/4"X1/8"

Z	d _e	d _p	SINGLE		
			d _m	D1	A
8	19.4	16.58	10	6	12
9	21.4	18.56	11.5	6	12
10	23.3	20.55	13	6	12
11	25.3	22.54	15	8	13
12	27.3	24.53	17	8	13
13	29.3	26.53	17	8	13
14	31.3	28.53	17	8	13
15	33.3	30.53	20	8	13
16	35.3	32.55	22	8	14
17	37.3	34.55	22	8	14
18	39.4	36.56	25	8	14
19	41.4	38.58	25	8	14
20	43.4	40.58	25	8	14
21	45.4	42.60	30	8	14
22	47.4	44.62	30	8	14
23	49.4	46.63	30	8	14
24	51.4	48.64	30	8	14
25	53.5	50.66	30	8	14
26	55.5	52.67	30	8	16
27	57.5	54.69	30	8	16
28	59.5	56.71	30	8	16
29	61.5	58.73	30	8	16
30	63.6	60.75	30	8	16
31	65.6	62.76	30	8	16
32	67.6	64.78	30	8	16
33	69.6	66.80	30	8	16
34	71.6	68.82	30	8	16
35	73.6	70.84	30	8	16
36	75.6	72.85	30	8	16
37	77.7	74.87	30	8	16
38	79.7	76.89	30	8	16
39	81.7	78.91	30	8	16
40	83.7	80.93	30	8	16

1/4" x 1/8"

for roller chains in compliance with DIN 8188 ASA 25 ISO/R 606 - ANSI B 29.1



SPROCKET

mm

TOOTH RADIUS r ₃	6.4
RADIUS WIDTH C	0.7
SPROCKET TOOTH WIDTH B ₁	2.9

CHAIN

mm

PITCH	6.35
INNER WIDTH	3.18
ROLLER - Ø	3.3

MATERIAL: C 45 UNI 7845

