

## SPECIFICATIONS

		NTS-372R10	NTS-375R10
<b>Distance Measurement</b>			
Max.Range	Single prism		5.0km
	Reflectorless		1000m
	Reflector		1.0km
※Object in shade, or sky overcast			
Accuracy	Reflectorless	Fine	$\pm(3+2\text{ppm}\times D)$ mm
	Reflector	Fine	$\pm(1+1\text{ppm}\times D)$ mm
		IR sheet	
Reading	Max:99999999.9999m Min:0.1mm		
Measuring Time	Reflectorless	Fine Mode:<0.3s;Tracking Mode:<0.1s	
Atmospheric Correction	Manual Input, Auto Correction		
Prism Constant	Manual Input, Auto Correction		
Temperature Sensor	Freecale Sensor		
<b>Angle Measurement</b>			
Measuring Method	Absolute Continuous		
Dia. of Encoder Disk	79mm		
Minimum Reading	0.1"		
Accuracy	2" / 5"		
Detection Method	Horizontal: Dual, Vertical: Dual		
<b>OS and Hardware platform</b>			
Operate System	WINDOWS CE 6.0		
Display	3.5 inch. 640x480 Highlighted Touch Screen		
Data Communication	RS232, MINN USB, SD CARD		
Processor	Intel PXA310 806MHZ		
Memory	128M DDR, 512M NAND Flash		
Blue Tooth	30M range. Class 2, V2.0+EDR		
WIFI	Optional		
Power Control Processor	Auto Adjust Voltage and Frequency, Save energy		
<b>Telescope</b>			
Image	Erect		
Tube Length	154mm		
Effective Aperture	45mm,(EDM:50mm)		
Magnification	30x		
Field of View	1° 30'		
Minimum Focus Distance	1m		
Resolving Power	3"		
<b>Auto Compensator</b>			
System	Dual Axis Liquid-electric		
Working Range	$\pm 3'$		
Accuracy	1"		
<b>Vial</b>			
Plate Vial	30"/ 2mm		
Circular Vial	8/ 2mm		
<b>Optical Plummet</b>			
Image	Erect		
Magnification	3x		
Focusing Range	1m - $\infty$		
Field of View	5°		
<b>On-Board Battery</b>			
Type	Rechargeable Ni-H Battery		
Voltage	DC 6V		
Continuous Operation Time	8 hrs		
<b>Others</b>			
Temperature	-20 ~ +50C		
Dimension and Weight	200x190x350mm, 6.0kg		
Plummet	Optical or Laser Plummet Optional		

## ACCESSORIES



TK21T

TK25T

Single Prism System



Dia.: 25.4mm  
Offset: -17.5/-7.5mm

Mini Pole: 30cm x 4,  $\phi$  10mm

Mini Prism System ADSmini112A



ATS-1(Aluminum) ATS-2(Wooden)

Prism Pole & Prism System ADS107

dealer info

**SOUTH**  
Target your success

Strada Flori de Tei, nr. 12  
Sat Olteni, Comuna Clinceni, Jud Ilfov  
Romania, Cod: 077060  
Tel: 0311 035 348  
E-mail:office@cad solutions.ro;  
www.cadsolutions.ro



**NTS-370R10 SERIES**  
**TOTAL STATION**



**SOUTH**  
Target your success

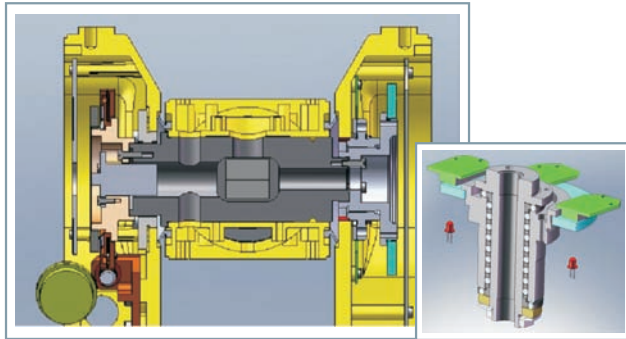
**SOUTH SURVEYING & MAPPING INSTRUMENT CO.,LTD.**

E-mail: mail@southsurvey.com export@southsurvey.com imexp@southsurvey.com euoffice@southsurvey.com  
http://www.southsurvey.com http://www.southinstrument.com

WWW.SOUTHSURVEY.COM  
WWW.SOUTHINSTRUMENT.COM

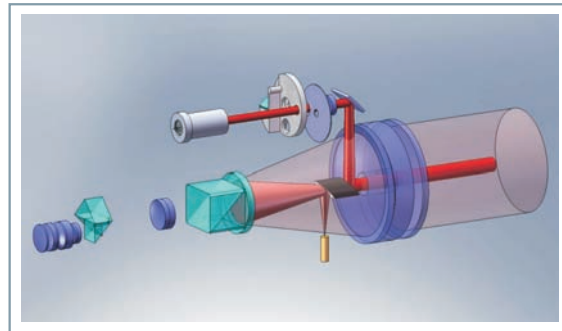
### 1. Angle measurement accuracy improve

- **Vertical angle:** integrated unitary axis, less components. Less offset tolerance.
- **Angle reading:** 4 detector technology, reduce disk offset angle and rit tolerance.



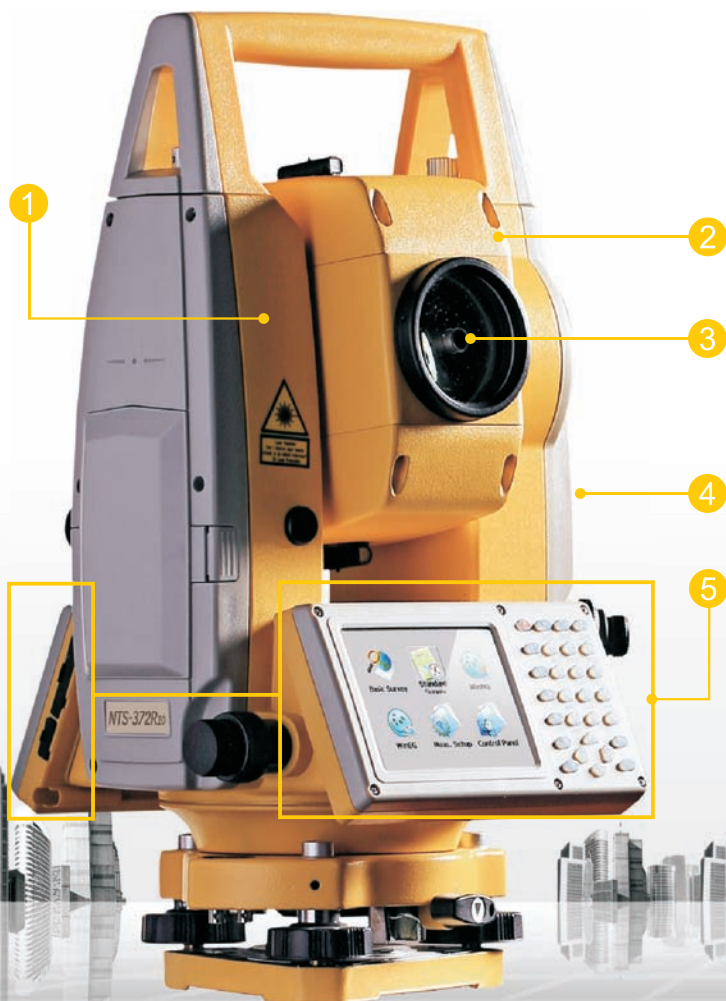
### 2. Distance measurement accuracy improve

- **Optical path change:** totally new 5 axis design, fully isolation emitting and reflect signal. Reduce optical Crosstalk.
- **Circuit design change:** 150MHZ ultra high measure frequency, improve measure tape accuracy, Development by self. Improve SNR (Signal noise rate)



### 3. Geometry accuracy improve

- Clear telescope and high accuracy tribrach system, make sure pointing accuracy.



### 4. Compensator accuracy improve

- Micro survey tile tolerance by CCD image to compensate.

### 5. UE (User experience) improvement

- 640\*480 high resolution.3.5 inch display unit. Easy to read under sunshine.
- WIN CE 6.0 OS, blue tooth standard, WIFI optional.
- Ultra measure speed. Fine0.3S, track 0.1s.
- A variety of data transfer options for diverse needs, eg. SD card, mini USB interface.



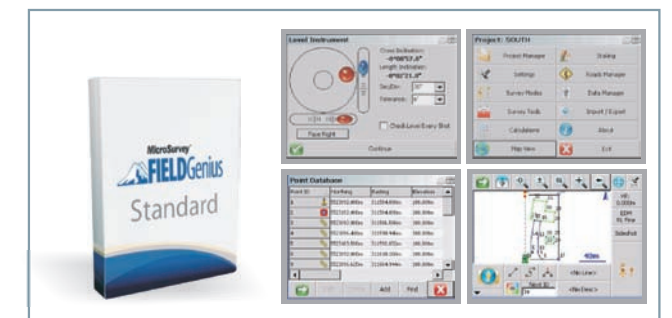
## Software

The fieldwork software includes Carlson SurvCE and MicroSurvey FieldGenius for a complete field-to-office solution.

#### Carlson SurvCE (Optional)



#### MicroSurvey FieldGenius (Optional)



## Applications



**Deformation Monitoring**  
Applicable for buildings, underground projects and tunnel monitoring



**Tunnel Construction**  
Used for drilling and orientation with reliable machine guidance



**Mini Triangular Networking**  
Ideal for control survey or layouts in small-to-medium-sized triangular network



**Bridge Monitoring**  
Designed for installation survey and continuous automatic deformation monitoring of bridges



**Embankment Monitoring**  
Perfect for all-day monitoring of dam bodies like hydropower stations and tailing reservoirs with external power supply

