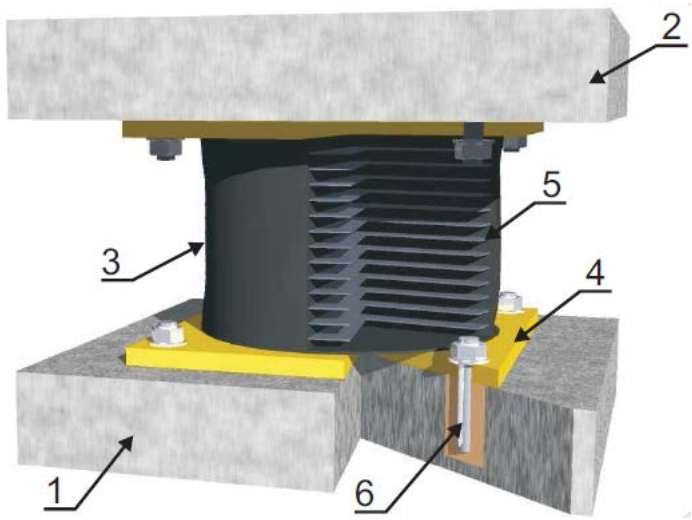


**STRUCTURAL BEARINGS AND ANTI SEISMIC DEVICES**





30 Years' Experienced Designer and Manufacturer of structural devices and expansion joints, with a strong specialty for anti-seismic solutions.

We design and produce:

- **STRUCTURAL BEARINGS**
- **ANTI SEISMIC DEVICES**
- **EXPANSION JOINTS**

**100% IN HOUSE:** Engineering, Production, Testing and Control

**ALL NECESSARY CERTIFICATIONS:**

ISO 9001

CE

UNI 15129

UNI 1337

**CUSTOM PRODUCTION** based on your projects needs

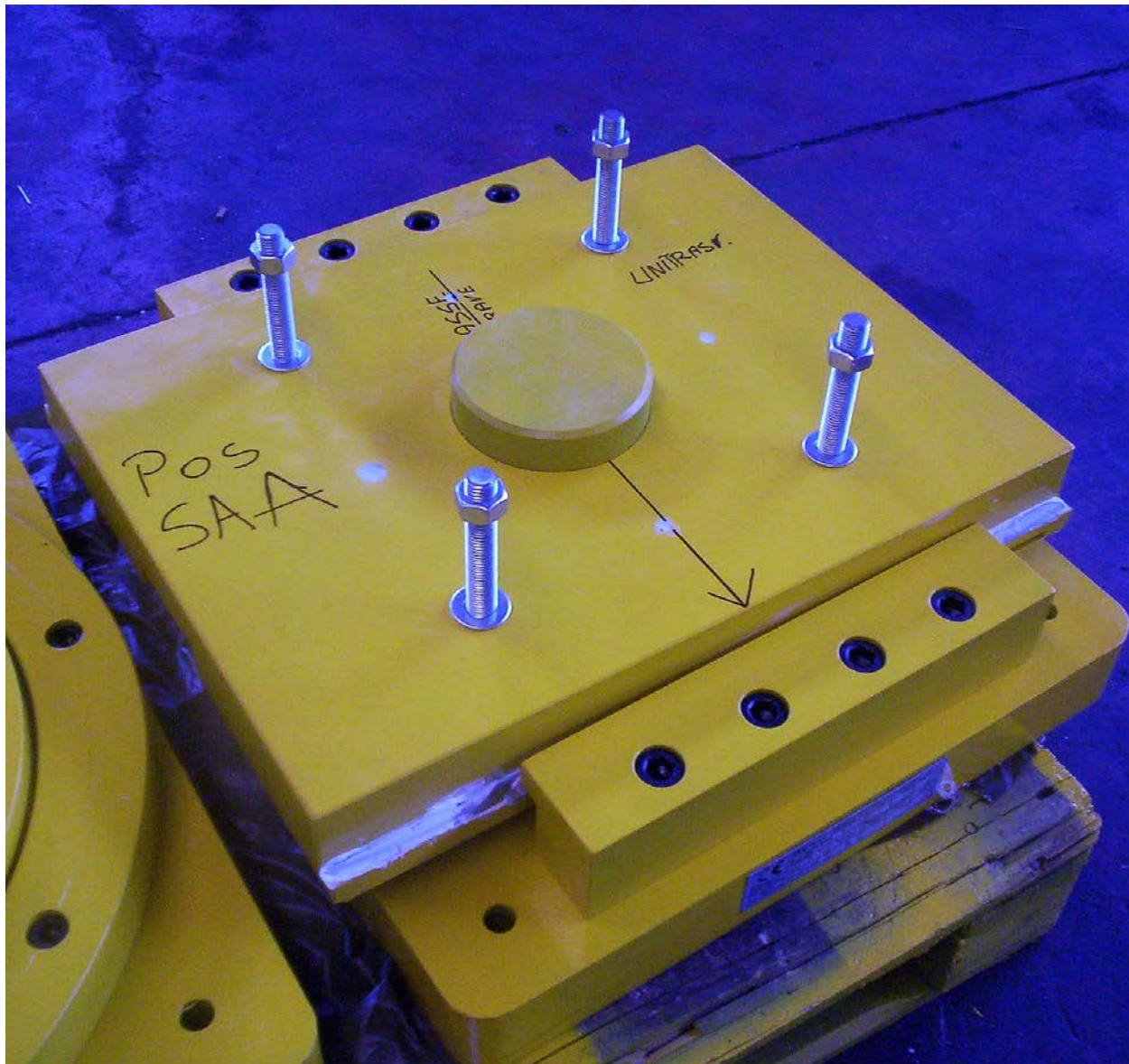
# STRUCTURAL BEARINGS



# STRUCTURAL BEARINGS



# STRUCTURAL BEARINGS



## STRUCTURAL BEARINGS



## STRUCTURAL BEARINGS



## STRUCTURAL BEARINGS



**NO WELDED PARTS:**

**BETTER QUALITY, PERFORMANCE AND RELIABILITY**



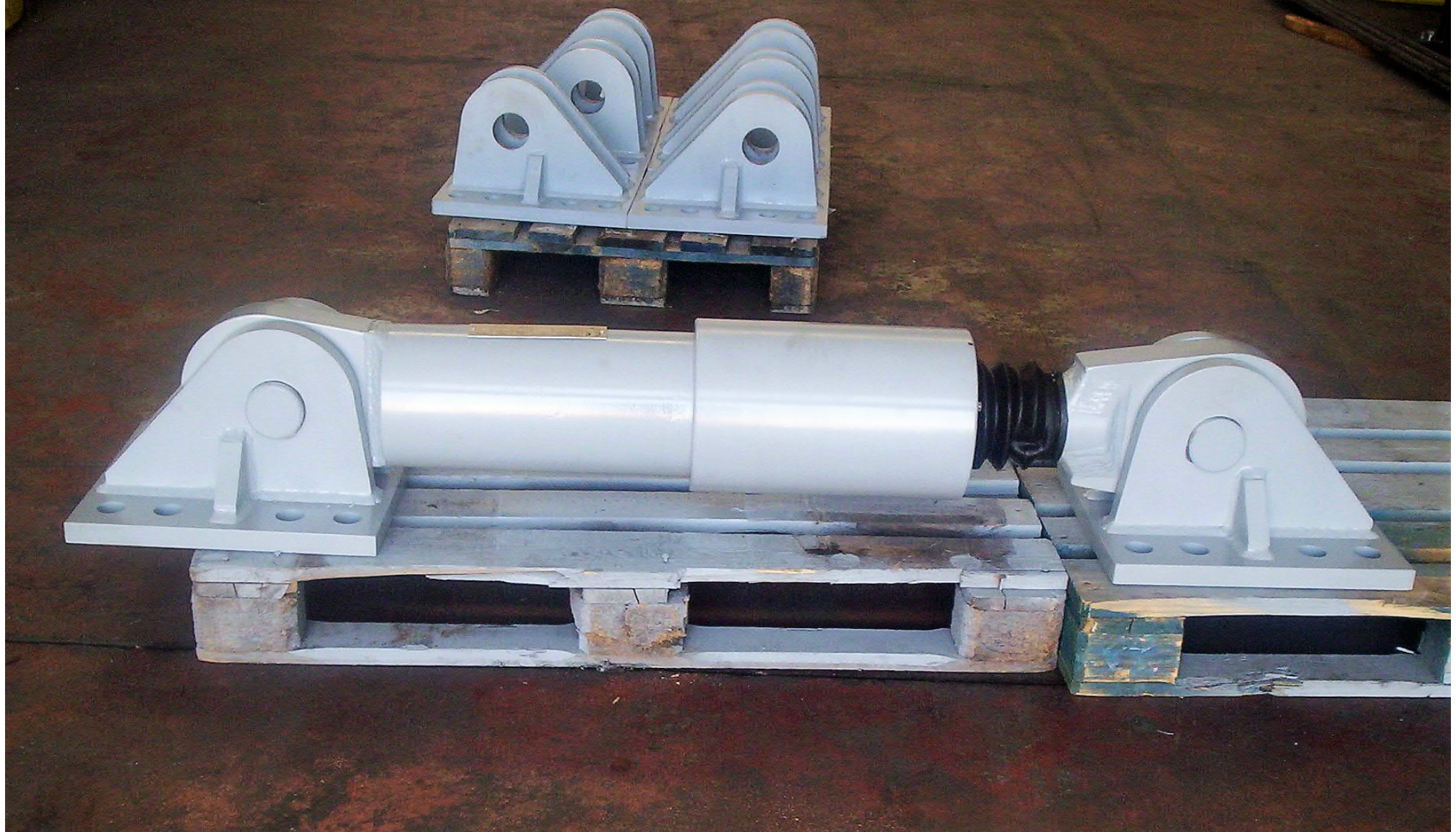
# ANTI SEISMIC DEVICES



# ANTI SEISMIC DEVICES



## ANTI SEISMIC DEVICES



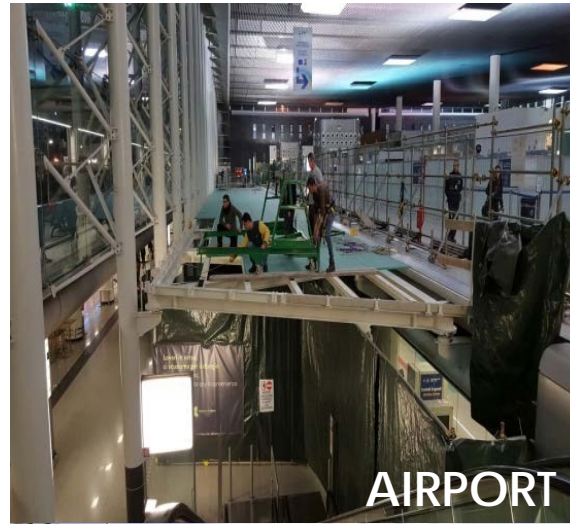
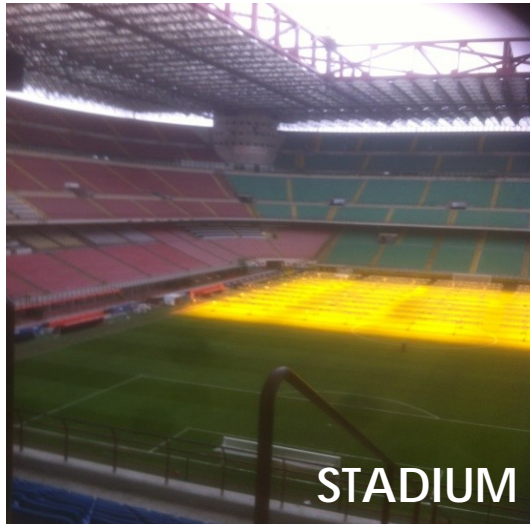
## ANTI SEISMIC DEVICES



## STRUCTURAL BEARINGS



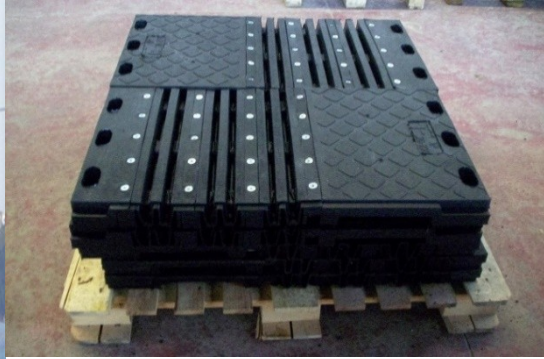
# LAST PROJECTS



# LAST PROJECTS



# LAST PROJECTS







**STRUCTURAL AND ANTI SEISMIC DEVICES**

