

## Walk behind often better...

The walk behind Vario is a machine that has been designed to provide outstanding performance in areas and applications where bigger machines are just not practical. Just think of supermarkets for example, long aisles, numerous obstructions, plenty of turning and tight corners. Hospitals with their long, long corridors, one minute you are in big, yet congested spaces, the next minute, narrow walkways.

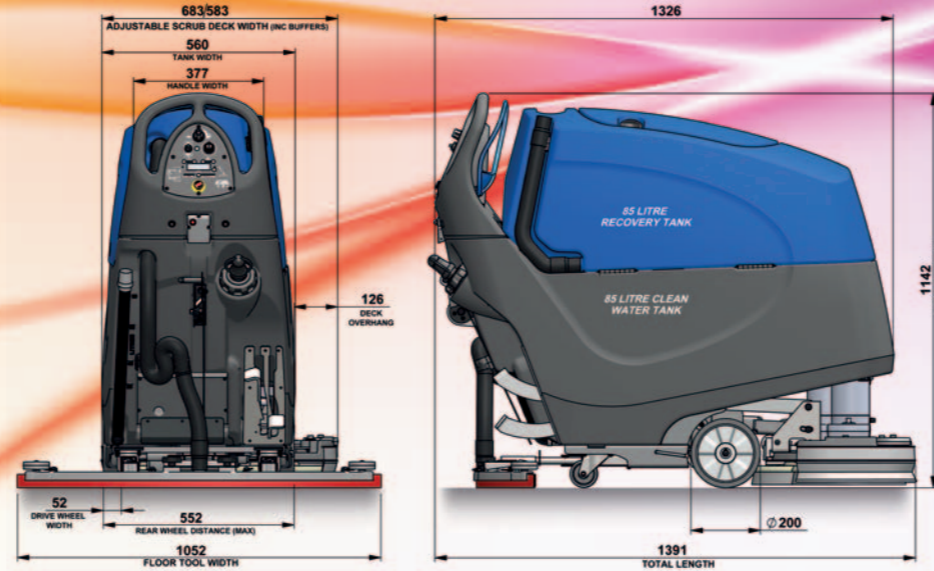
Car showrooms are another classic where good manoeuvrability is totally essential. Full and careful consideration must always be given at the onset as one fact will always ring true:-

**Get the specification right  
at the beginning and you will  
achieve the correct results at the end.**

TTV-5565 in  
55cm mode

Vario TTV-55/65: The Answer is in your own Hands

# Twintec Vario TTV5565



Transaxle	Brush Motor	Power	Vac Motor	Speed	Brush & Pad Sizes	Gross Weight (Full)		
600W	400W (x2)	4 x 12V = 200Ahr	600W	4.2Kph 330mm	280mm	372Kg		
Net Weight	Run Time	Water Capacity	Nuchem Capacity	Water Flow rate	Nuchem Mix	Drive Speed	Noise - Max decibel level	Maximum Climbing Gradient
287Kg	3.5 hrs	85L	5L	1L/min 2L/min 3L/min 4L/min	100:1 75:1 50:1 25:1	0-4.2Kph	68.6 dB @ 1.0m 64.0 dB @ 1.7m	Scrubbing 9%
Scrub Widths	Brush Speed	Scrub Pressure Standard	Scrub Pressure Heavy	Machine Dimensions	Floor tool Dimensions	Hand Arm Vibration		
550mm 650mm	200 Rpm	40Kg	50Kg	W=1052mm x L=1391mm x H=1142mm	1050mm	0.44m/s2		

Numatic International Limited, Chard, Somerset, TA20 2GB  
Telephone: 01460 68600 Fax: 01460 68458

UNITED KINGDOM: [www.numatic.co.uk](http://www.numatic.co.uk) GERMANY: [www.numatic.de](http://www.numatic.de)  
SWITZERLAND: [www.numatic.ch](http://www.numatic.ch) FRANCE: [www.numatic.fr](http://www.numatic.fr)  
NETHERLANDS: [www.numatic.nl](http://www.numatic.nl) SOUTH AFRICA: [www.numatic.co.za](http://www.numatic.co.za)

©Numatic International Limited 2010 233892/0910A Specification subject to change without prior notice



# TTV-5565

The TwinTec Vario 55/65 represents, in every way, the optimum walk behind traction auto-scrubber with a range of advanced, yet practical, features that truly allow us to claim... "Best in Class".

This TwinTec gets its Vario name from the fact that this one machine can, by a no tools adjustment and simple brush change, be set to operate at either a 55cm or 65cm scrubbing width... Two Machine Choices in One.

In the 65cm mode the scrubbing head is automatically expanded to a practical offset operating mode, providing a 100mm head extension to the right hand side.

This simple arrangement allows improved edge cleaning especially in aisles with racking or other obstructions.

In normal operation the machine delivers a constant 40Kg of brush pressure but to this we have added a heavy duty spot cleaning feature, allowing the operator to select a 50Kg override setting at any time should it be required.

Add to the exceptional cleaning performance, low noise and excellent manoeuvrability and you have a machine designed to deliver satisfaction on all counts.



TTV-5565 in 65cm mode



In Full Transit Mode

The operator controls are a separate feature in their own right with independent selection of speed, water flow and chemical dosing all built in to the basic unit, all of which can be set to provide total convenience and consistency of operation



Beneath the hinged dirty water tank sits the operating heart of the Vario with its 200Ahr gel battery and charging system, high performance suction unit and NuChem dosing facility... all easily accessible.



## The unique Twintec 55cm/65cm double brush system...

A simple, no tool adjustment and brush change allows a selection of either 55cm or 65cm scrubbing widths.

