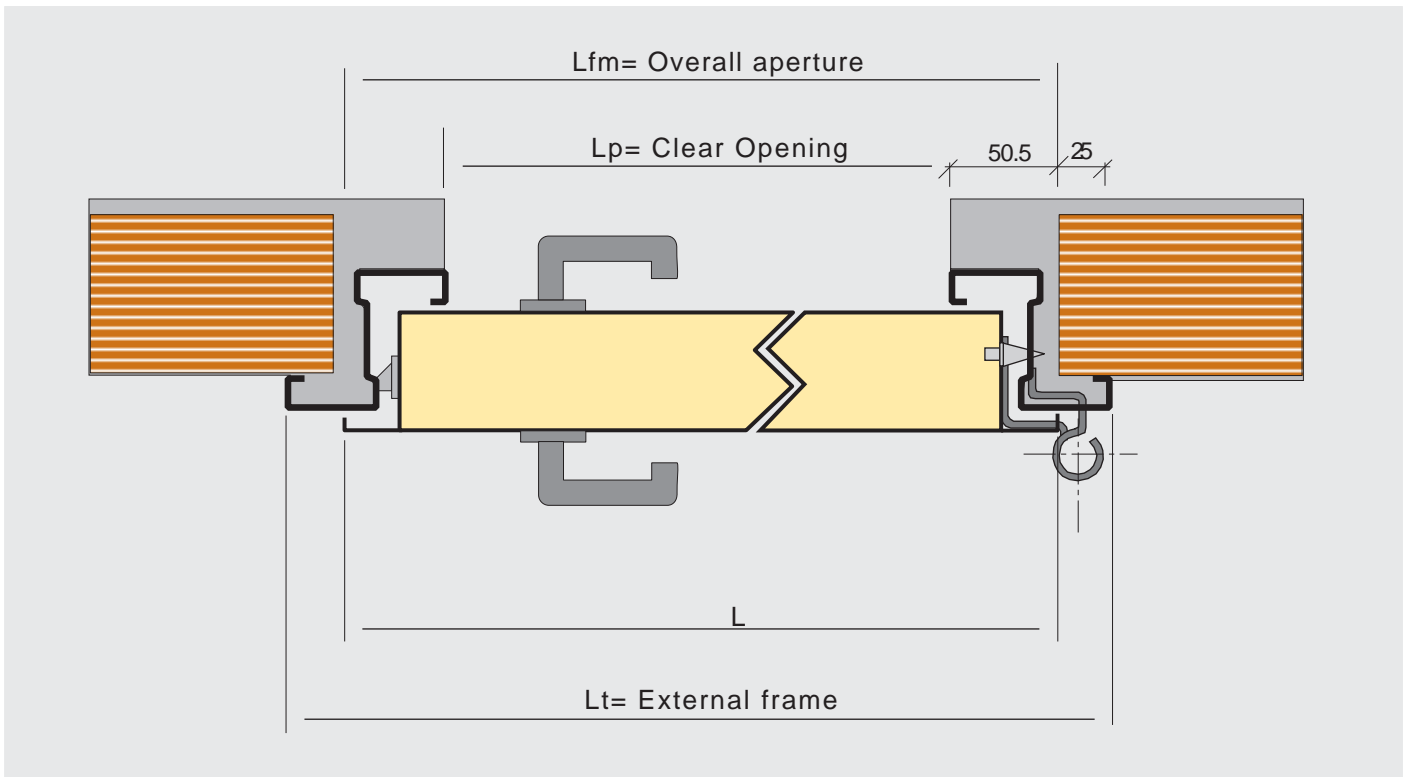
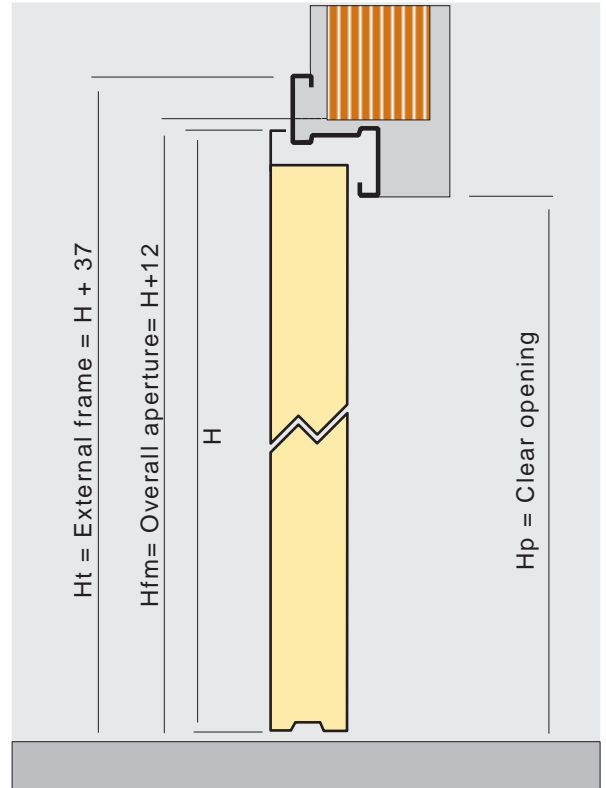
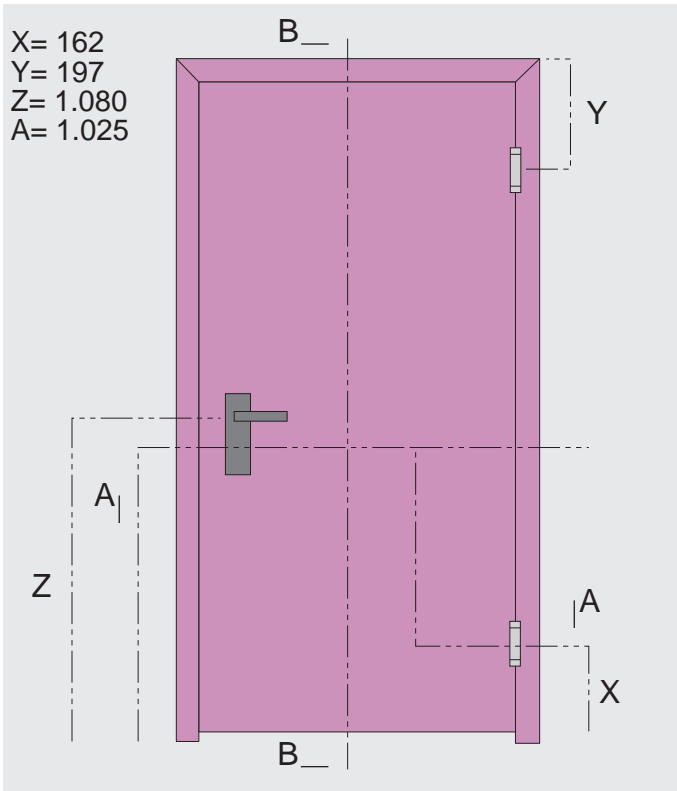


DETAILS FOR SINGLE LEAF DOORSETS WITH DIN FRAME



*** NOTE:** The tolerance is $+2$ ⁻⁰ mm for single leaf frames and $+3$ ⁻⁰ mm for double leaf frames in cement/blockwork. For installation into a pre frame a tolerance of $+4$ ⁻⁰ mm each side is necessary.

