

## HTE



### GENERAL FEATURES:

Range with 5 different types from Ø 350 to Ø 560, provided with single phase and three phase motors 4 and 6 pole. Air-flow from 2.700 m<sup>3</sup>/h to 11.500 m<sup>3</sup>/h.

### GENERAL FEATURES:

Range includes 9 different types from Ø 250 to Ø 900, provided with single phase 2 and 4 pole motors and with three phase 2, 4 and 6 pole motors. Air-flow from 900 m<sup>3</sup>/h to 41.000 m<sup>3</sup>/h.

### APPLICATIONS:

Designed for roof installation, and suitable for:  
General ventilation in buildings, shops and industry  
Smoke extraction

### MANUFACTURING FEATURES:

Roof cowl made of reinforced plastic.  
Roof base support and bird protection guard epoxy powder coat finishing.  
Variable pitch angle polyamide impeller reinforced with fibreglass.  
Squirrel cage asynchronous standard motor, IP-55 protection and rated class F insulation. Standard voltages 230V 50Hz for single phase motors, 230/400V 50Hz and for three phase, motors up to 5,5HP and 400/690V 50Hz for higher powers.

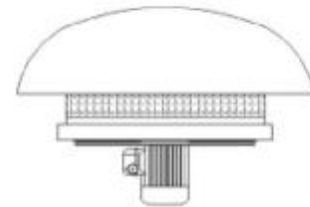
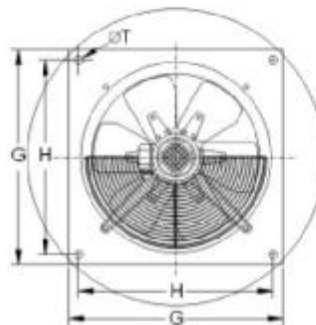
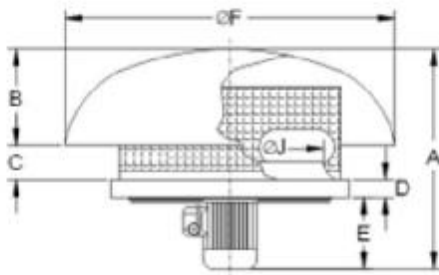
### AVAILABLE ON REQUEST

"Impelente" ("B Form") impeller (air flow from impeller to motor), 100% reversible impeller, cast aluminium impellers.  
60Hz fans and special voltages.  
2 speed motors.  
Flameproof or explosionproof fans with ATEX certificated motors.  
Hot dip galvanised and stainless steel housings.

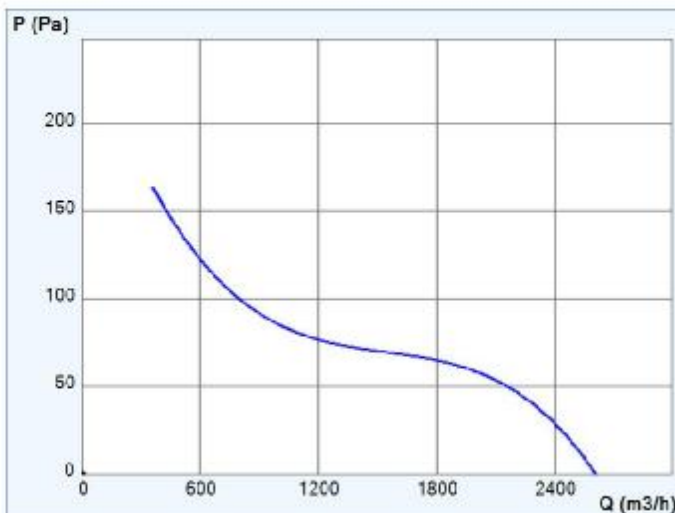
## Dimension (mm)

HTE

MODEL	A	B	C	D	E	Ø F	G	H	Ø J	Ø T
HTE 35 M4 1/6	430	230	100	40	100	760	560	460	368	11



## Characteristic curve 20°C 1atm



MODEL HTE 35 M4 1/6		SERVICE POINT	
rpm	1450	rpm	
I <sub>max</sub> 230V (A)	0,88	Q (m <sup>3</sup> /h)	
I <sub>max</sub> 400V (A)	-	P <sub>e</sub> (Pa)	
I <sub>max</sub> 690V (A)	-	P <sub>d</sub> (Pa)	
Power (kW)	0,11	P <sub>t</sub> (Pa)	
Q (m <sup>3</sup> /h)	2610	Max mot power (kW)	
Approx. weight (kg)	15	Outlet speed (m/s)	

### DESIGN POINT

Q (m <sup>3</sup> /h)	
P (Pa)	

## HTE



### GENERAL FEATURES:

Range with 5 different types from Ø 350 to Ø 560, provided with single phase and three phase motors 4 and 6 pole. Air-flow from 2.700 m<sup>3</sup>/h to 11.500 m<sup>3</sup>/h.

### GENERAL FEATURES:

Range includes 9 different types from Ø 250 to Ø 900, provided with single phase 2 and 4 pole motors and with three phase 2, 4 and 6 pole motors. Air-flow from 900 m<sup>3</sup>/h to 41.000 m<sup>3</sup>/h.

### APPLICATIONS:

Designed for roof installation, and suitable for:  
General ventilation in buildings, shops and industry  
Smoke extraction

### MANUFACTURING FEATURES:

Roof cowl made of reinforced plastic.  
Roof base support and bird protection guard epoxy powder coat finishing.  
Variable pitch angle polyamide impeller reinforced with fibreglass.  
Squirrel cage asynchronous standard motor, IP-55 protection and rated class F insulation. Standard voltages 230V 50Hz for single phase motors, 230/400V 50Hz and for three phase, motors up to 5,5HP and 400/690V 50Hz for higher powers.

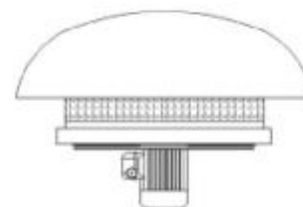
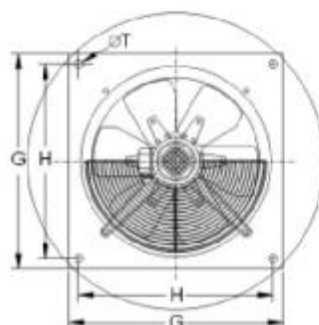
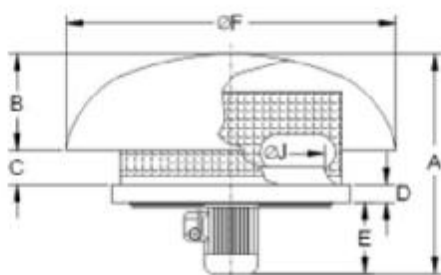
### AVAILABLE ON REQUEST

"Impelente" ("B Form") impeller (air flow from impeller to motor), 100% reversible impeller, cast aluminium impellers.  
60Hz fans and special voltages.  
2 speed motors.  
Flameproof or explosionproof fans with ATEX certificated motors.  
Hot dip galvanised and stainless steel housings.

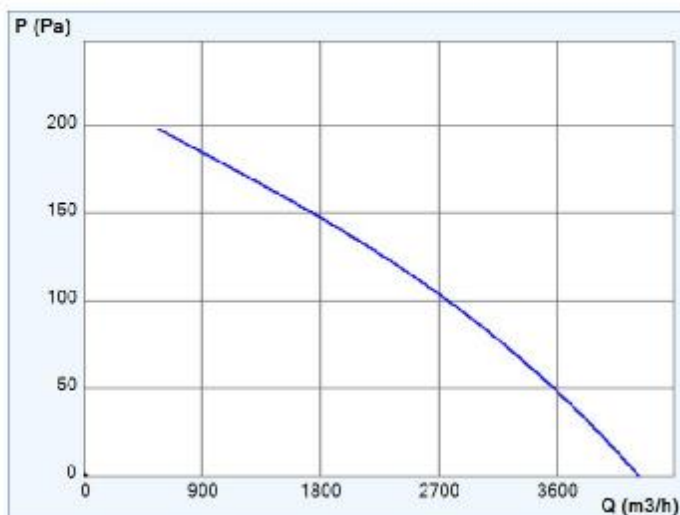
## Dimension (mm)

HTE

MODEL	A	B	C	D	E	Ø F	G	H	Ø J	Ø T
HTE 40 M4 1/3	330	220	100	45	150	760	630	530	405	13



## Characteristic curve 20°C 1atm



MODEL HTE 40 M4 1/3		SERVICE POINT	
rpm	1360	rpm	
I <sub>max</sub> 230V (A)	2,06	Q (m3/h)	
I <sub>max</sub> 400V (A)	-	P <sub>e</sub> (Pa)	
I <sub>max</sub> 690V (A)	-	P <sub>d</sub> (Pa)	
Power (kW)	0,25	P <sub>t</sub> (Pa)	
Q (m3/h)	4230	Max mot power (kW)	
Approx. weight (kg)	21	Outlet speed (m/s)	

### DESIGN POINT

Q (m3/h)	
P (Pa)	

## HTE



### GENERAL FEATURES:

Range with 5 different types from Ø 350 to Ø 560, provided with single phase and three phase motors 4 and 6 pole. Air-flow from 2.700 m<sup>3</sup>/h to 11.500 m<sup>3</sup>/h.

### GENERAL FEATURES:

Range includes 9 different types from Ø 250 to Ø 900, provided with single phase 2 and 4 pole motors and with three phase 2, 4 and 6 pole motors. Air-flow from 900 m<sup>3</sup>/h to 41.000 m<sup>3</sup>/h.

### APPLICATIONS:

Designed for roof installation, and suitable for:  
General ventilation in buildings, shops and industry  
Smoke extraction

### MANUFACTURING FEATURES:

Roof cowl made of reinforced plastic.  
Roof base support and bird protection guard epoxy powder coat finishing.  
Variable pitch angle polyamide impeller reinforced with fibreglass.  
Squirrel cage asynchronous standard motor, IP-55 protection and rated class F insulation. Standard voltages 230V 50Hz for single phase motors, 230/400V 50Hz and for three phase, motors up to 5,5HP and 400/690V 50Hz for higher powers.

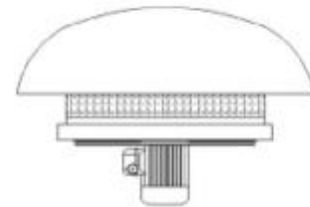
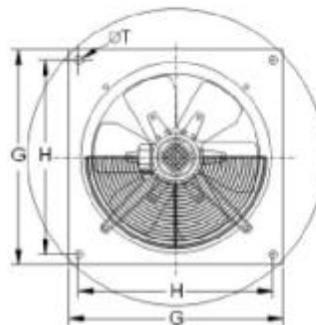
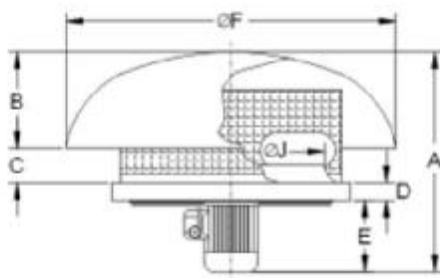
### AVAILABLE ON REQUEST

"Impelente" ("B Form") impeller (air flow from impeller to motor), 100% reversible impeller, cast aluminium impellers.  
60Hz fans and special voltages.  
2 speed motors.  
Flameproof or explosionproof fans with ATEX certificated motors.  
Hot dip galvanised and stainless steel housings.

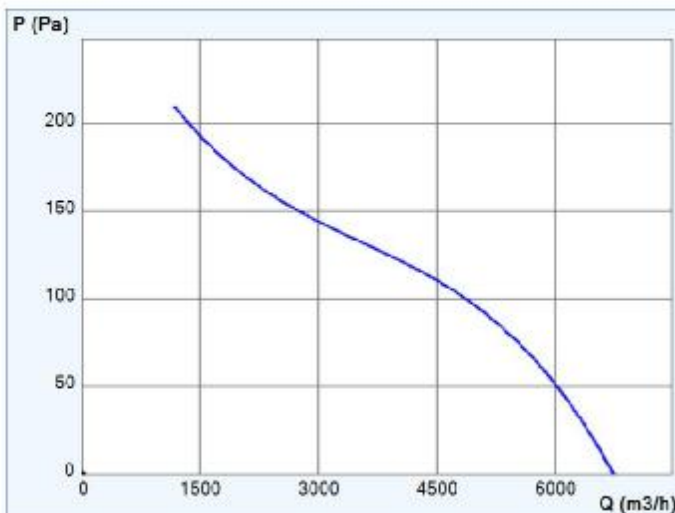
## Dimension (mm)

HTE

MODEL	A	B	C	D	E	Ø F	G	H	Ø J	Ø T
HTE 45 M4 1/2	510	255	115	45	150	970	710	610	460	13



## Characteristic curve 20°C 1atm



MODEL HTE 45 M4 1/2		SERVICE POINT	
rpm	1330	rpm	
I <sub>max</sub> 230V (A)	2,77	Q (m3/h)	
I <sub>max</sub> 400V (A)	-	P <sub>e</sub> (Pa)	
I <sub>max</sub> 690V (A)	-	P <sub>d</sub> (Pa)	
Power (kW)	0,37	P <sub>t</sub> (Pa)	
Q (m3/h)	6750	Max mot power (kW)	
Approx. weight (kg)	28	Outlet speed (m/s)	

### DESIGN POINT

Q (m3/h)	
P (Pa)	



## HTE



### GENERAL FEATURES:

Range with 5 different types from  $\varnothing$  350 to  $\varnothing$  560, provided with single phase and three phase motors 4 and 6 pole. Air-flow from 2.700 m<sup>3</sup>/h to 11.500 m<sup>3</sup>/h.

### GENERAL FEATURES:

Range includes 9 different types from  $\varnothing$  250 to  $\varnothing$  900, provided with single phase 2 and 4 pole motors and with three phase 2, 4 and 6 pole motors. Air-flow from 900 m<sup>3</sup>/h to 41.000 m<sup>3</sup>/h.

### APPLICATIONS:

Designed for roof installation, and suitable for:  
General ventilation in buildings, shops and industry  
Smoke extraction

### MANUFACTURING FEATURES:

Roof cowl made of reinforced plastic.  
Roof base support and bird protection guard epoxy powder coat finishing.  
Variable pitch angle polyamide impeller reinforced with fibreglass.  
Squirrel cage asynchronous standard motor, IP-55 protection and rated class F insulation. Standard voltages 230V 50Hz for single phase motors, 230/400V 50Hz and for three phase, motors up to 5,5HP and 400/690V 50Hz for higher powers.

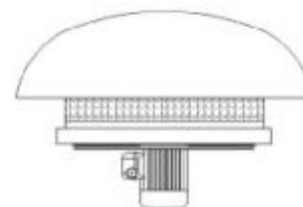
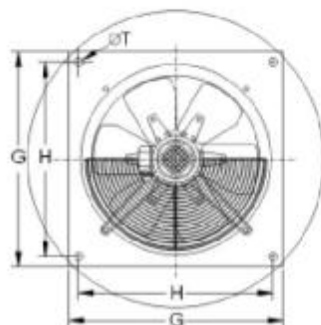
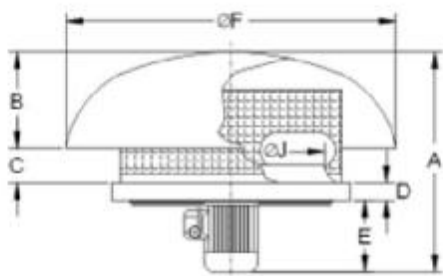
### AVAILABLE ON REQUEST

"Impelente" ("B Form") impeller (air flow from impeller to motor), 100% reversible impeller, cast aluminium impellers.  
60Hz fans and special voltages.  
2 speed motors.  
Flameproof or explosionproof fans with ATEX certificated motors.  
Hot dip galvanised and stainless steel housings.

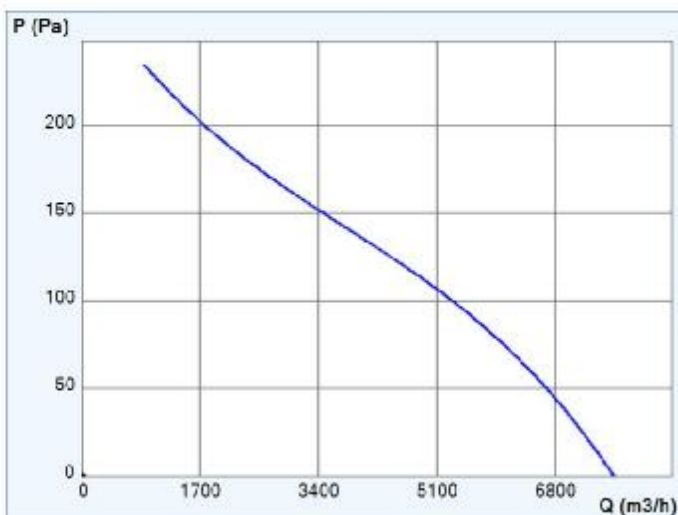
## Dimension (mm)

HTE

MODEL	A	B	C	D	E	$\varnothing$ F	G	H	$\varnothing$ J	$\varnothing$ T
HTE 50 M4 3/4	690	290	180	45	150	1100	800	700	507	13



## Characteristic curve 20°C 1atm



MODEL HTE 50 M4 3/4		SERVICE POINT	
rpm	1320	rpm	
I <sub>max</sub> 230V (A)	5,6	Q (m3/h)	
I <sub>max</sub> 400V (A)	-	P <sub>e</sub> (Pa)	
I <sub>max</sub> 690V (A)	-	P <sub>d</sub> (Pa)	
Power (kW)	0,55	P <sub>t</sub> (Pa)	
Q (m3/h)	7650	Max mot power (kW)	
Approx. weight (kg)	35	Outlet speed (m/s)	

### DESIGN POINT

Q (m3/h)	
P (Pa)	

## HTE



### GENERAL FEATURES:

Range with 5 different types from Ø 350 to Ø 560, provided with single phase and three phase motors 4 and 6 pole. Air-flow from 2.700 m<sup>3</sup>/h to 11.500 m<sup>3</sup>/h.

### GENERAL FEATURES:

Range includes 9 different types from Ø 250 to Ø 900, provided with single phase 2 and 4 pole motors and with three phase 2, 4 and 6 pole motors. Air-flow from 900 m<sup>3</sup>/h to 41.000 m<sup>3</sup>/h.

### APPLICATIONS:

Designed for roof installation, and suitable for:  
General ventilation in buildings, shops and industry  
Smoke extraction

### MANUFACTURING FEATURES:

Roof cowl made of reinforced plastic.  
Roof base support and bird protection guard epoxy powder coat finishing.  
Variable pitch angle polyamide impeller reinforced with fibreglass.  
Squirrel cage asynchronous standard motor, IP-55 protection and rated class F insulation. Standard voltages 230V 50Hz for single phase motors, 230/400V 50Hz and for three phase, motors up to 5,5HP and 400/690V 50Hz for higher powers.

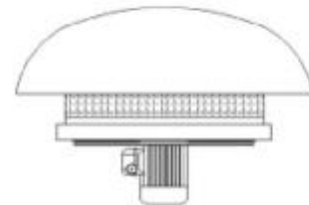
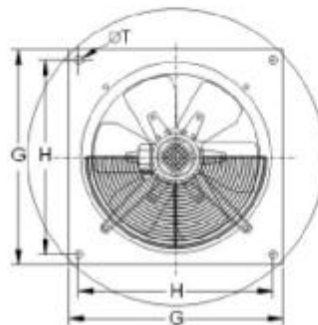
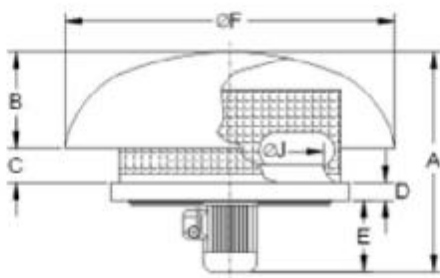
### AVAILABLE ON REQUEST

"Impelente" ("B Form") impeller (air flow from impeller to motor), 100% reversible impeller, cast aluminium impellers.  
60Hz fans and special voltages.  
2 speed motors.  
Flameproof or explosionproof fans with ATEX certificated motors.  
Hot dip galvanised and stainless steel housings.

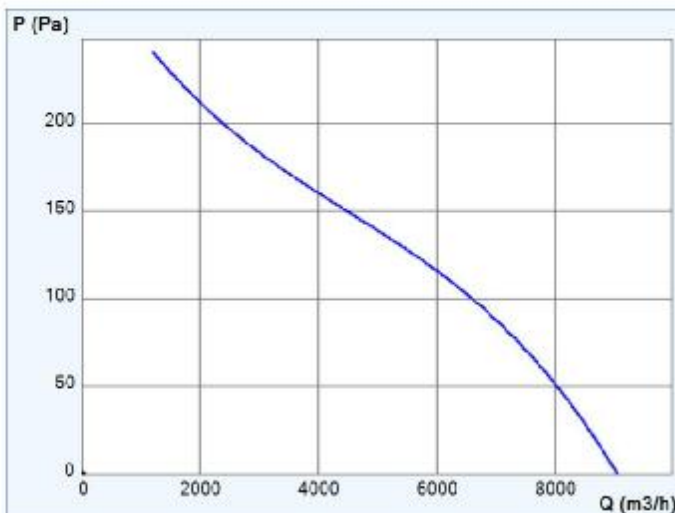
## Dimension (mm)

HTE

MODEL	A	B	C	D	E	Ø F	G	H	Ø J	Ø T
HTE 56 M4 1	758	290	190	45	240	1200	900	800	570	13



## Characteristic curve 20°C 1atm



MODEL HTE 56 M4 1		SERVICE POINT	
rpm	1330	rpm	
I <sub>max</sub> 230V (A)	4,38	Q (m3/h)	
I <sub>max</sub> 400V (A)	-	P <sub>e</sub> (Pa)	
I <sub>max</sub> 690V (A)	-	P <sub>d</sub> (Pa)	
Power (kW)	0,75	P <sub>t</sub> (Pa)	
Q (m3/h)	9060	Max mot power (kW)	
Approx. weight (kg)	42	Outlet speed (m/s)	

### DESIGN POINT

Q (m3/h)	
P (Pa)	