

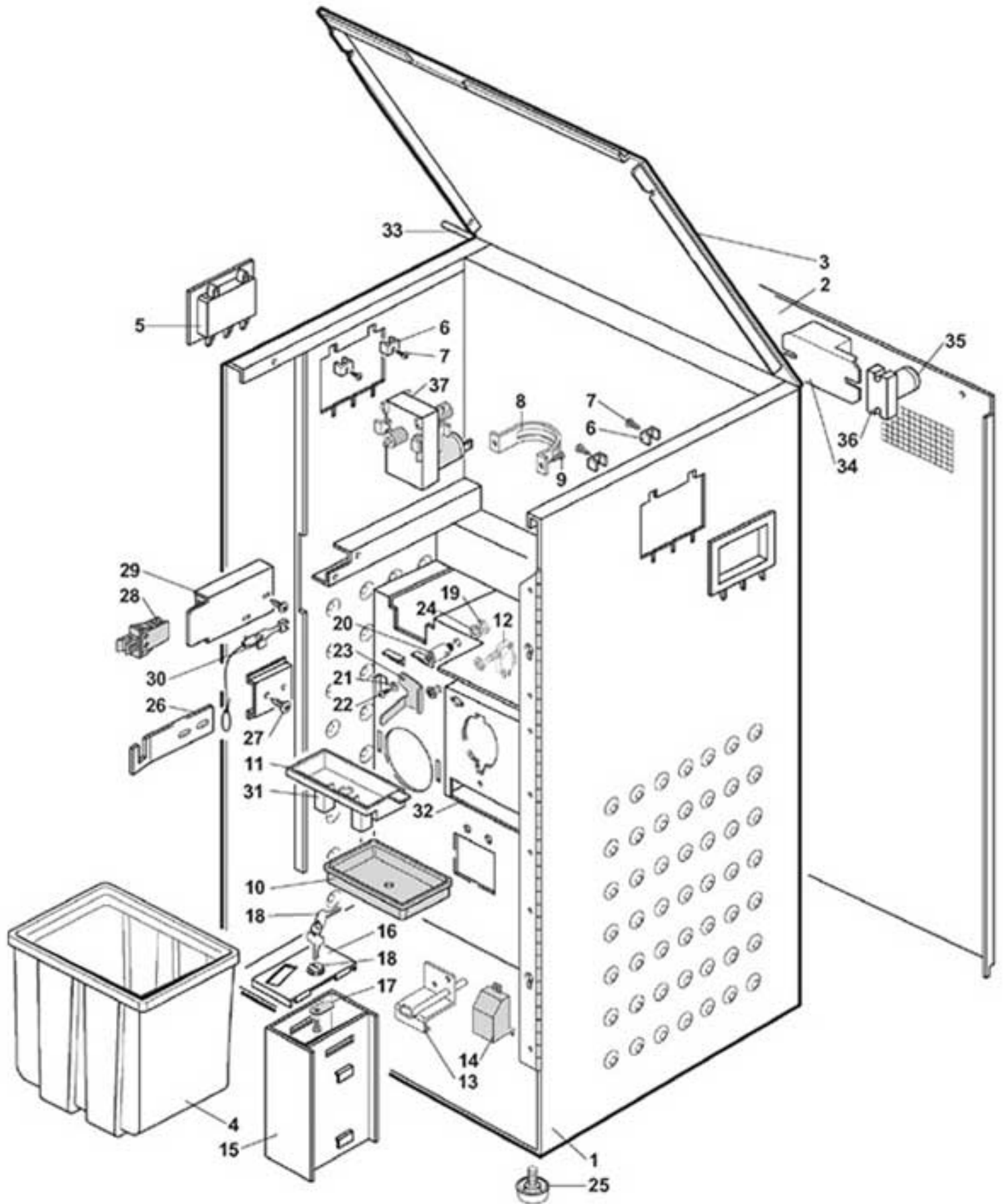
rheavendors 

vending machine

[XM]

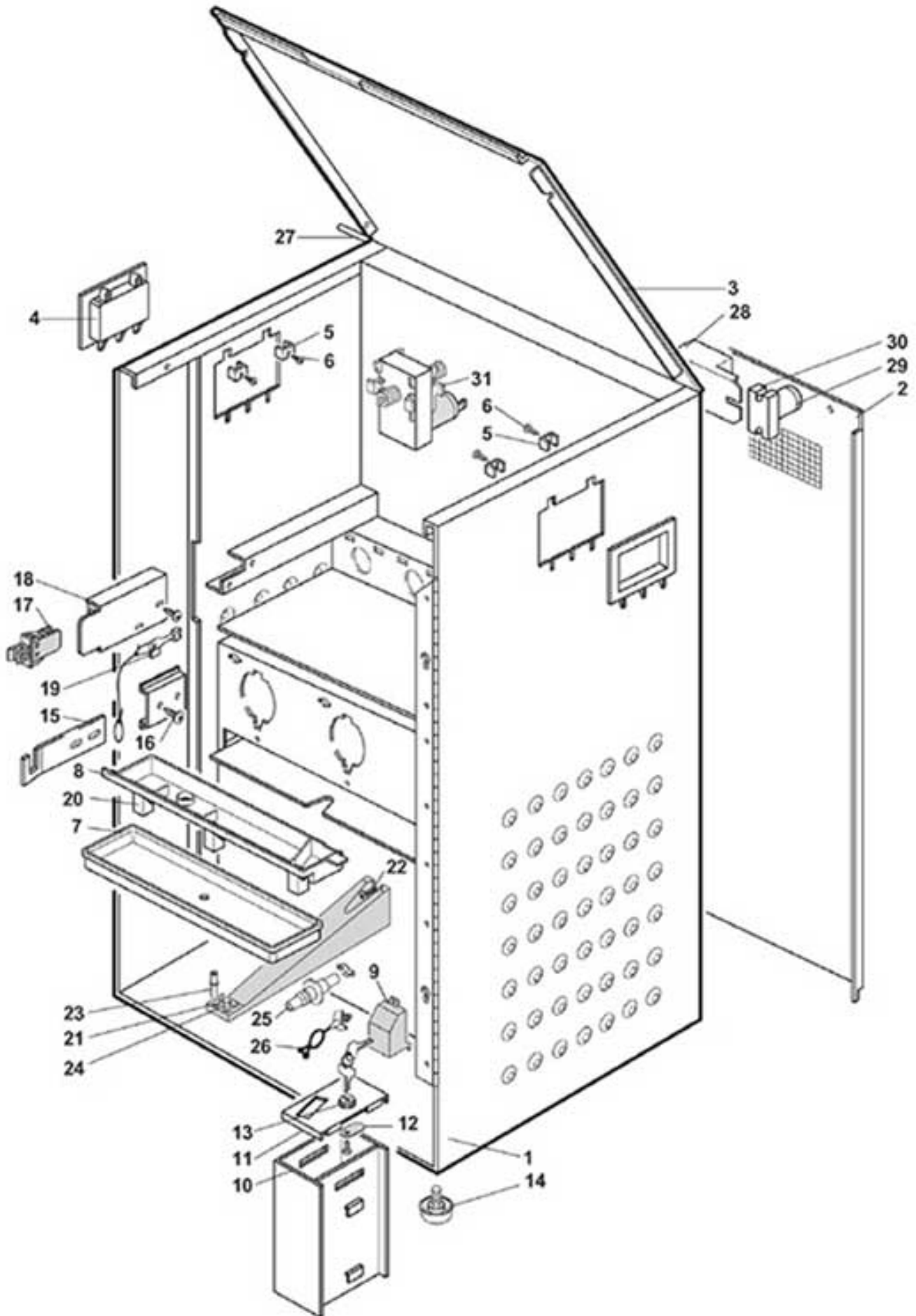


spare parts manual

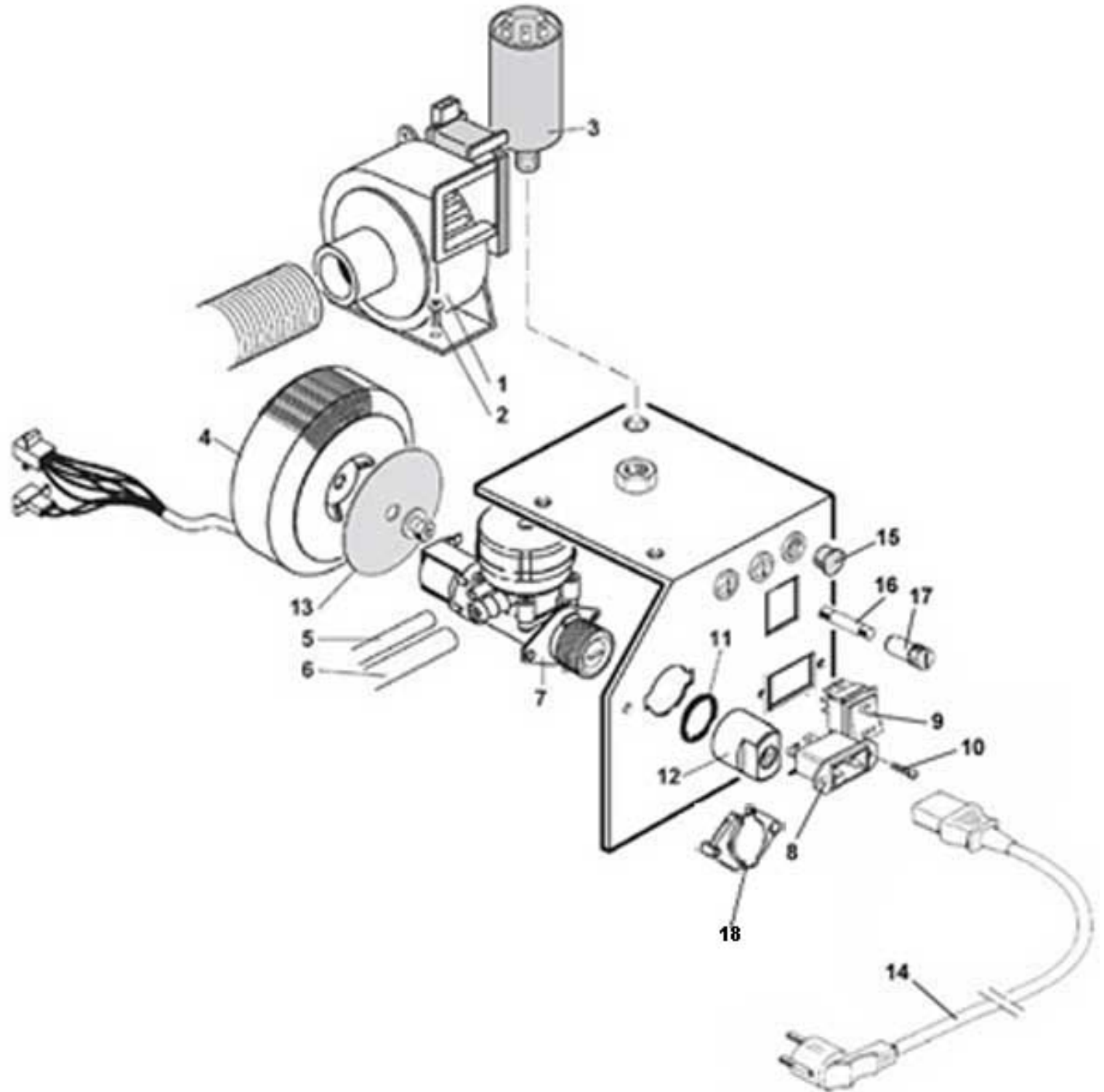


Pos.	Code	Description
1/a	0010022105	BASE CABINET STRUCTURE E
1/b	0010022270	STRUTTURA ARMADIO COMPLETO E
2/a	0010022128	E /H REAR DOOR
2/b	0010022275	SPORTELLA POSTERIORE E/H
3	0010022117	UPPER COVER
4	0010022130	GROUND CONTAINER
5	0010020026NA	HANDLE
6	4600010012	SECURING CONNECTION
7	VIT0002028	TAPPING SCREW TCB 3.5 x 9.5
8	0010020186	PIPES CLIP
9	VIT0000014	M 4x16 TCB SCREW
10	0010022192	E POWDERS COLLECTION TRAY
11	0010022115	EXHAUST DRAWER
12	ELE0001506	MICROSWITCH 83.131.8-IW3M
13	0010022138	TRAY WITH PIPE SUPPORT
14	0010022165R	SUPPORTO CONTATTI VASCHETTA ASSIEMATO
15	0010022154	COIN BOX XM
16	0010022150	COIN BOX COVER ASSEMBLY
17	SER0001005	LOCK BRACKET
18	SER0000020	LOCK 154 BOX 5 DT mm 20 RAPID
19	VIT0004505	NUT M6
20	0010020196	HOOKING BLOCK
21	VIT0003301	WASHER D.12 x 4.3 x 1.5
22	VIT0000030	SCREW TCB M4 x 7
23	0010020132	GROUP CONNECTING PLATE
24	GUA0000086	OR 104 SILICONE
25	0010020169	CABINET FEET ASSEMBLY
26	0010022137	LOCK HOOK COUNTERPART
27	VIT0000030	SCREW TCB M4 x 7
28/a	ELE0002009	SAFETY SWITCH
28/b	ELE0002017	15/250 UL BIPOLAR SWITCH
29	0010022157	SWITCH SUPPORT ASSEMBLY
30	0270011109CL	SERVICE KEY ASSEMBLY
31	0010022131	FEEDER
32/a	0010022111	MIXER SUPPORT E
32/b	0010022643	MIXER SUPPORT E-H2O FOR VERSION UL
33	0010022124	SHAFT UPPER COVER
34/a	ELE0009127	220 V BALLAST
34/b	ELE0009124	UL 120 V BALLAST
35/a	ELE0009109	STARTER
35/b	ELE0009118	STARTER
36/a	ELE0009108	L 8 W 20 LAMP
36/b	ELE0009123	PORTASTARTER 11/L UL
37	0090002113	MR NCJM2480-X 24VDC
100	0010022150R	COPERCHIO CASSETTA MONETE COMPLETO

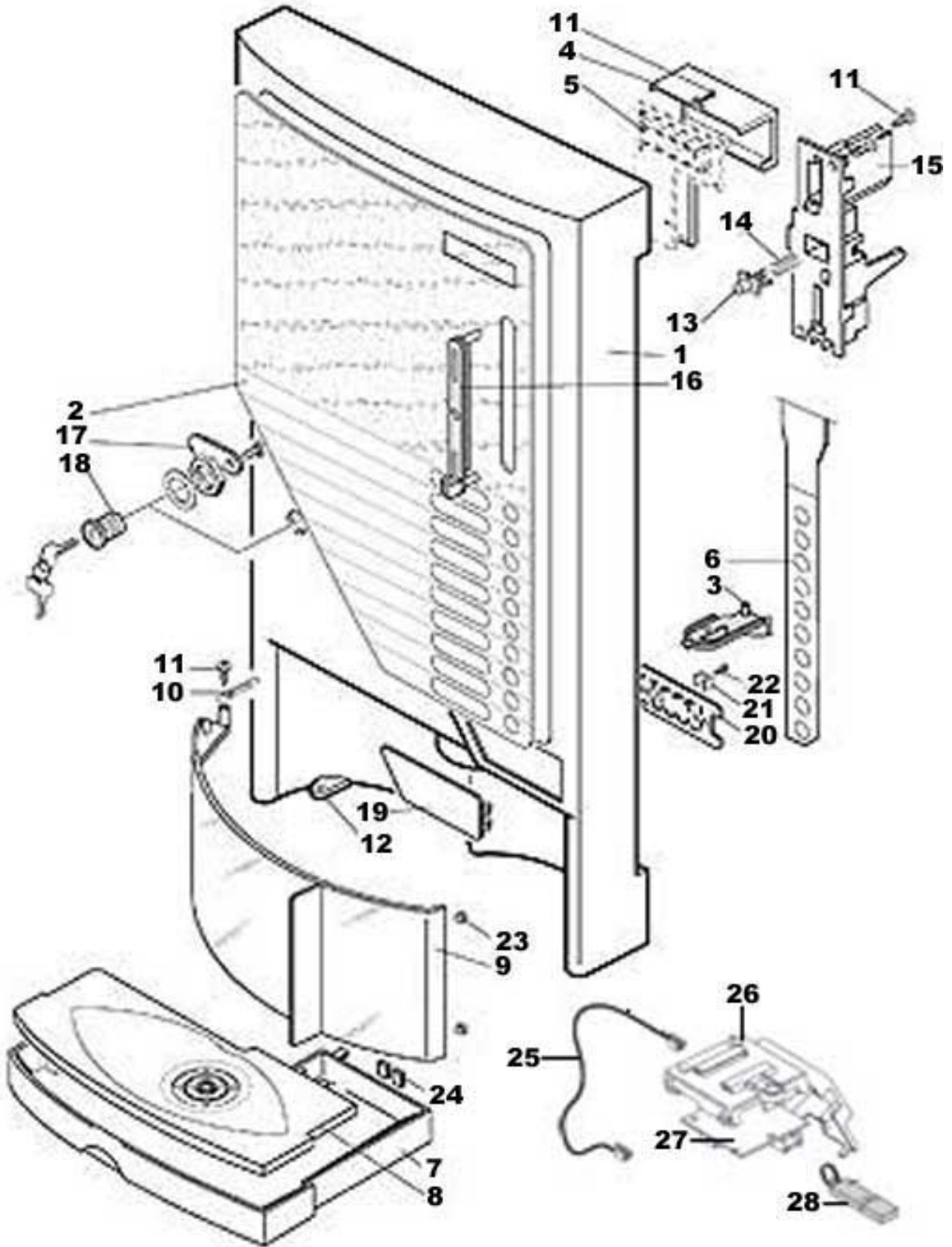
assieme



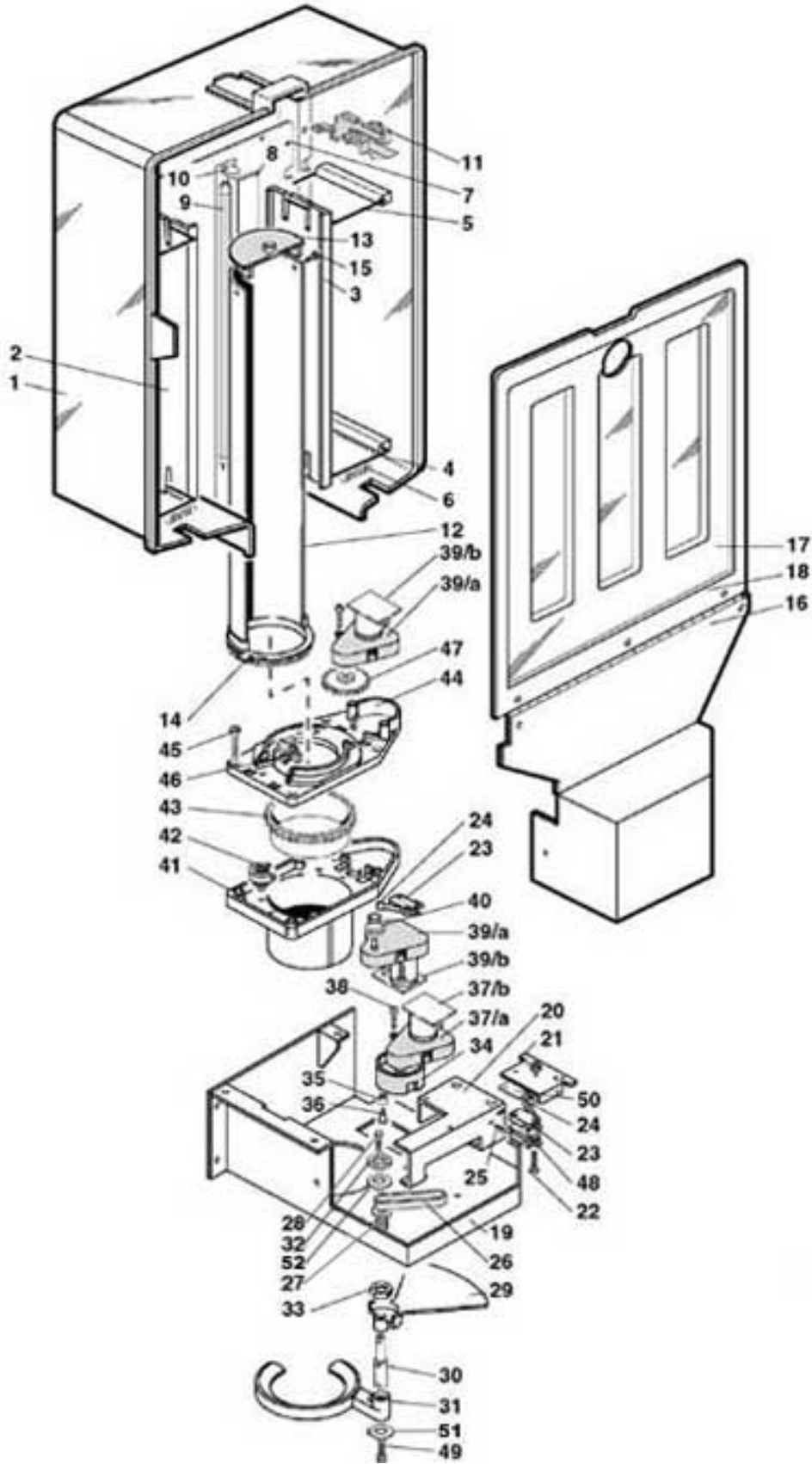
Pos.	Code	Description	
1/a	0010022110	BASE CABINET STRUCTURE	H
1/b	0010022271	BASE CABINET STRUCTURE	H
2/a	0010022128	E /H REAR DOOR	
2/b	0010022275	SPORTELLO POSTERIORE E/H	
3	0010022117	UPPER COVER	
4	0010020026NA	HANDLE	
5	4600010012	SECURING CONNECTION	
6	VIT0002028	TAPPING SCREW TCB 3.5 x 9.5	
7	0010022193	H POWDER COLLECTION TRAY	
8	0010020016	2-HOLE EXHAUST DRAWER	
9	0010022165R	SUPPORTO CONTATTI VASCHETTA ASSIEMATO	
10	0010022154	COIN BOX XM	
11	0010022150	COIN BOX COVER ASSEMBLY	
12	SER0001005	LOCK BRACKET	
13	SER0000020	LOCK 154 BOX 5 DT mm 20 RAPID	
14	0010020169	CABINET FEET ASSEMBLY	
15	0010022137	LOCK HOOK COUNTERPART	
16	VIT0000030	SCREW TCB M4 x 7	
17	ELE0002009	SAFETY SWITCH	
18	0010022157	SWITCH SUPPORT ASSEMBLY	
19	0270011109CL	SERVICE KEY ASSEMBLY	
20	0010022131	FEEDER	
21	0380011323	PRODUCT PIPES SUPPORT ESTRAIBILE	
22	VIT0002401	TAPPING SCREW TCB 3.5 x 9.5	
23	0380010657NA	DISPENSER PIPE	
24	0380010656NA	BLACK PLUG	
25	0080100013	MIXER CONNECTION	
26	FASC000302	LOCK	
27	0010022124	SHAFT UPPER COVER	
28	ELE0009127	220 V BALLAST	
29	ELE0009109	STARTER	
30	ELE0009108	L 8 W 20 LAMP	
31	0090002113	MR NCJM2480-X 24VDC	
100	0010022150R	COPERCHIO CASSETTA MONETE COMPLETO	assieme



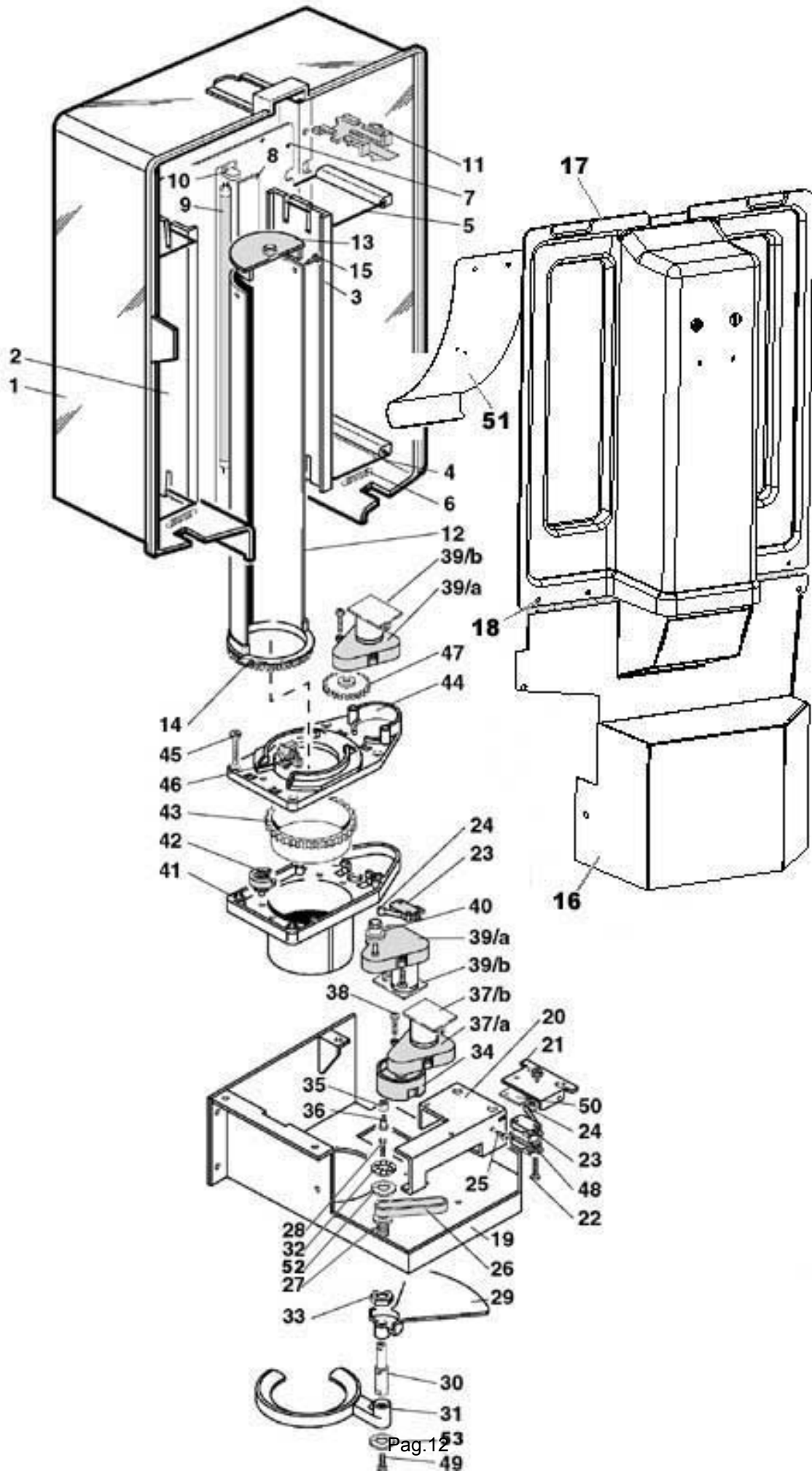
Pos.	Code	Description
1	ELE0000459	CENTRIFUGAL EXHAUSTER
2	VIT0002009	TAPPING SCREW T.C.B. 3,5 x 6,5
3/a	ELE0009055	ANTIPARASITIC FILTER
3/b	ELE0009060	ANTIPARASITIC FILTER 16A UL FOR VERSION UL
4/a	ELE0000569R	TOROIDAL TRANSFORMER ASSEMBLY
4/b	ELE0000555CL	TOROIDAL TRANSFORMER 230V
4/c	ELE0000575R	TOROIDAL TRANSFORMER 220VA 120/60 UL FOR VERSION UL
5	TSIL05/08T	TRANSPARENT SILICONE PIPE D.5 x 8
6	TSIL07/11T	TRANSPARENT SILICONE PIPE D.7 x 11
7	0110001058	EV.DIS.SICUR.800.150 MOD.24VDC
8/a	ELE0002310	IEC 15A 250V SOCKET FOR VERSION UL
8/b	ELE0002312	IEC 10A 250V SOCKET
9	ELE0002014	15A 250V ON/OFF UL/CSA BIPOLAR SWITCH
10	VIT0002009	TAPPING SCREW T.C.B. 3,5 x 6,5
11	GUA0000021	OR 130
12	0810010558	3/8 GAS M WATER INLET VALVE CONNECTION
13	GUA0005016	GUARNIZIONE GOMMA TRASFORMATORE
14/a	ELE0055008	POWER LEAD 3 x 1 SOCKET AND SCHUKO PLUG
14/b	ELE0055009	POWER LEAD 3 x 1 WITH IEC SOCKET AND CH PLUG
14/c	ELE0055010	POWER LEAD 3 x 1 WITH IEC SOCKET AND GB
14/d	ELE0055011	POWER LEAD WITH IEC SOCKET AND USA PLUG
14/e	ELE0055012	POWER LEAD SCHUKO-SOCKET IEC 16A
14/f	ELE0055013	POWER LEAD IL IEC SOCKET
14/g	ELE0055015	POWER LEAD+15A XS UL SOCKET+PLUG FOR VERSION UL
15	GUA0011010	RELEASE PLUG
16/a	ELE0003024	SLOW-BLOW CERAMIC TYPE 6.3A FUSES 5 x 20
16/b	ELE0003029	SLOW-BLOW CERAMIC TYPE 6.3A FUSES 5 x 31,8 UL FOR VERSION UL
17	ELE0003507	FUSES HOLDER
18	0010020839	EV HOLE PLUG



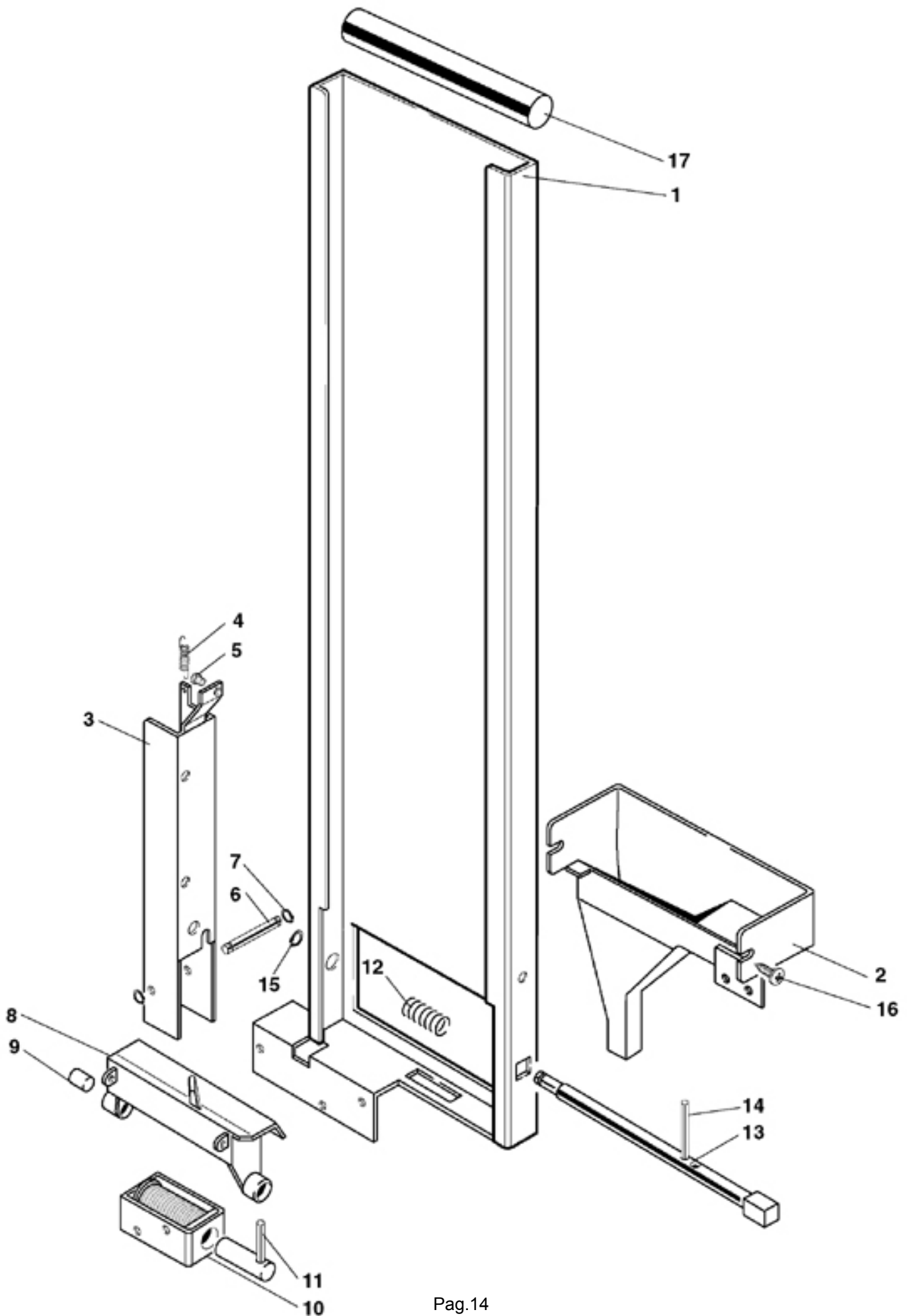
Pos.	Code	Description
1/a	0020040204R	BLACK COMPLETE DOOR
1/b	0020040204R1	RAL 9006 COMPLETE DOOR
2	0020040241	FRONT PANEL
3	0020040208	DOOR SUPPORT
4	0020040226	DISPLAY COVER
5	see tab. 19_2	
6	0020040215	KEYBORD
7	0020040206	WATER TRAY
8	0020040207	WATER COLLECTION TRAY GRATE
9	0020040210	FRONT DOOR
10	0380010431	MOBILE WALL SPRING
11	VIT0002469	SCREW TC 3.5 x 10 FOR PLASTIC
12	0020040223	HATCH SUPPORT BRACKET ASSEMBLY
13	0020035033KB	RED COIN RETURN BUTTON 3020
14	0020035034	COIN RETURN BUTTON SPRING
15	0020035032NA	COIN BOX SUPPORT
16	0020035031KB	RED COIN BOX tab 153154
17	0020040212	LOCK HOOK
18	SER0000001	BOX 5 20 mm LOCK
19	0020040233	DOOR FRONT COVER
20	0020040232	FRONT COVER SECURING PLATE
21	4600010012	SECURING CONNECTION
22	VIT0002401	TAPPING SCREW TCB 3.5 x 9.5
23	0020040235	HATCH PLUG
24	0020040213	H2O TRAY CONTACT
25	ELT0030564	CPU/POWER CONNECTOR 8LINES PHONE CM125
26	0020040238	FLASH MEMORY INTERFACE COVER
27/a	SCH0004500	FLASH XM Up to serial 05179999
27/b	SCH0006100	FLASH 2004 XM From serial 05180001
28	0020040310CL	RHEA FLASH MEMORY



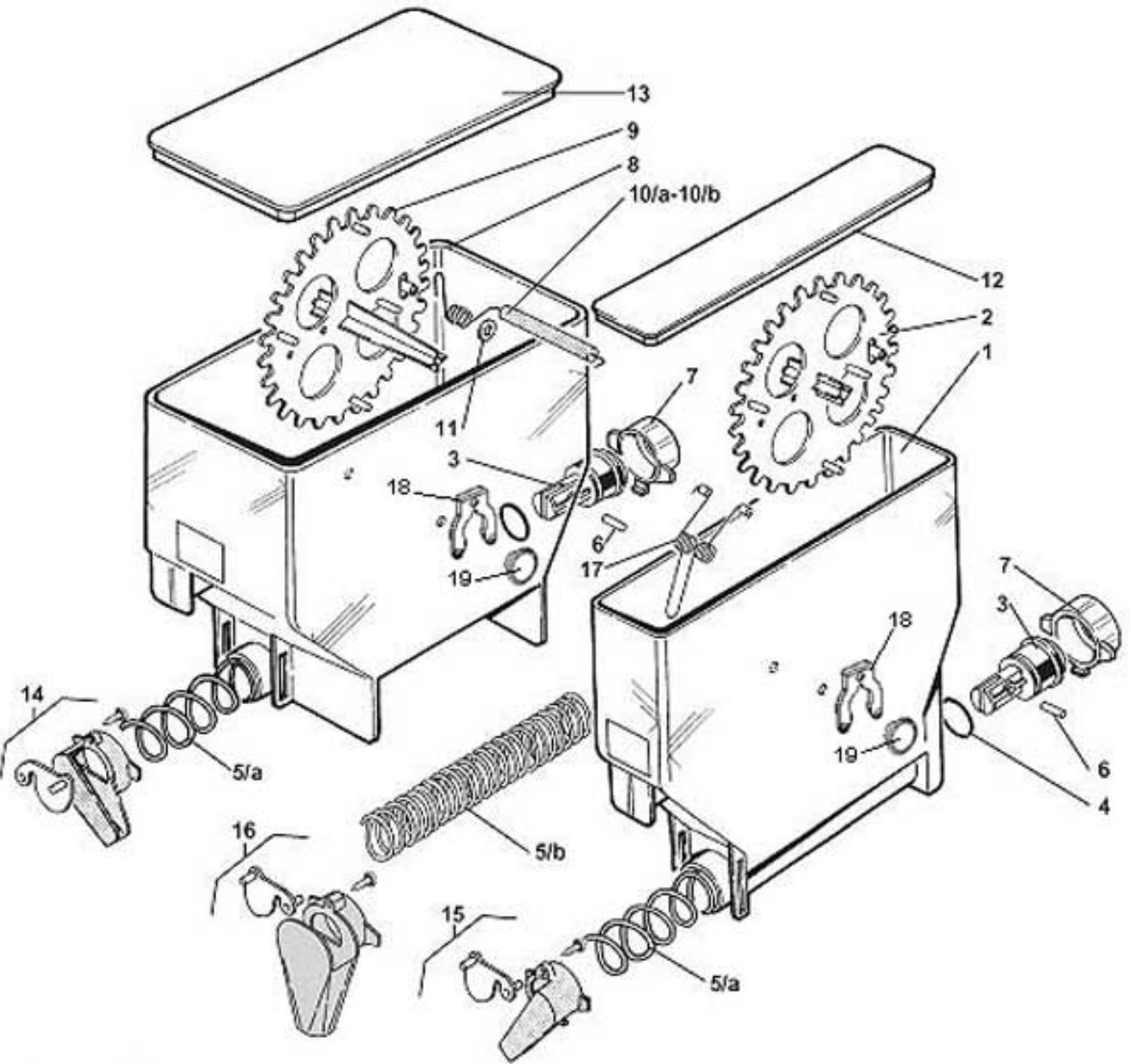
Pos.	Code	Description
1	0020040205	CUPS LOADER
2	0180005009	LOADER SHORT WALL
3	0180005013	R.H. WALL ASSEMBLY
4	0180012224	WALL-PUSHER ARM
5	0180012226	WALL-PUSHER ARM
6	0180005011	LOADER WALL SUPPORT SPRING
7	0020040211	CUPS LOADER BOTTOM
8	0020040219	LAMP SUPPORT ASSEMBLY
9	ELE0009018	L 8 W 20 LAMP
10	ELE0009107	BIPLUG G 13 LAMP HOLDER
11	0020040209	COVER HOOK
12	0180012227	CENTRAL COLUMN
13	0180005007	CENTRAL COLUMN GUIDE
14	0180011762	CENTRAL COLUMN RING NUT
15	VIT0002401	TAPPING SCREW TCB 3.5 x 9.5
16	0180012219	CONTAINER
17	0180012222	LOADER COVER
18	VIT0007021	3 x 6 ALUMINIUM RIVET
19	0180012208	DB SUPPORT
20	0180012207	FORK CAM SUPPORT
21	0180012209	MICRO SUPPORT
22	VIT0002009	TAPPING SCREW T.C.B. 3.5 x 6,5
23	ELE0001522	1-WAY 16 A 250 V MICROSWITCH
24	ELE0001906	161 E R 24.1 MICRO LEVER
25	VIT0002011	2.9x 9.5 TAPPING TCB SCREW
26	0180012211	FORK MOVEMENT PROFILE
27	0180012216	BUSH
28	VIT0000207	M 5x8 H.H. SCREW
29	0180012214	CUP STOP
30	0180012212	FORK SHAFT
31	0180012217	CUP SUPPORT FORK
32	VIT0003406	D.5.3 GROWER WASHER
33	VIT0004509	NUT M 4 x 1,5
34	0180012237R	FORK CAM
35	0200001011	CONTROL CONNECTING ROD ROLL
36	0200001012	ROLL PIN
37/a	0090002514	MT.G70.C2.BL.EH.00 24V DC
37/b	SCH0003740	DC MOTORS FILTER
38	VIT0000004	M 3x10 TCB SCREW
39/a	0090002512	24 V DC 10 ROM GEAR MOTOR HEXAGONAL SHAFT
39/b	SCH0003740	DC MOTORS FILTER
40	0190006007	FGEAR MOTOR PINION
41	0190006003	CUPS LOADER LOWER PLATE It's part of kit 0190012155CL
42	0190006005	CAM WITH PINION
43	0190006004	Z 66 RING NUT
44	0190006002	CUPS LOADER UPPER PLATE It's part of kit 0190012155CL
45	VIT0000019	M 5x35 TCB SCREW
46	SCH0004220	CUP DETECTOR
47	0180005004	Z.30 PINION
48	7500902054	SUPPLEMENTARY INSULATION
49	4003502021	GROUP SECURING SCREW
50	4600010014	MICRO SPACER
51	1600001098	SYNTHETIC RUBBER D.4.5 SPACER
52	VIT0003004	5.3x10x1 WASHER
100	0180012222CL	ASEMBLED LOADER COVER



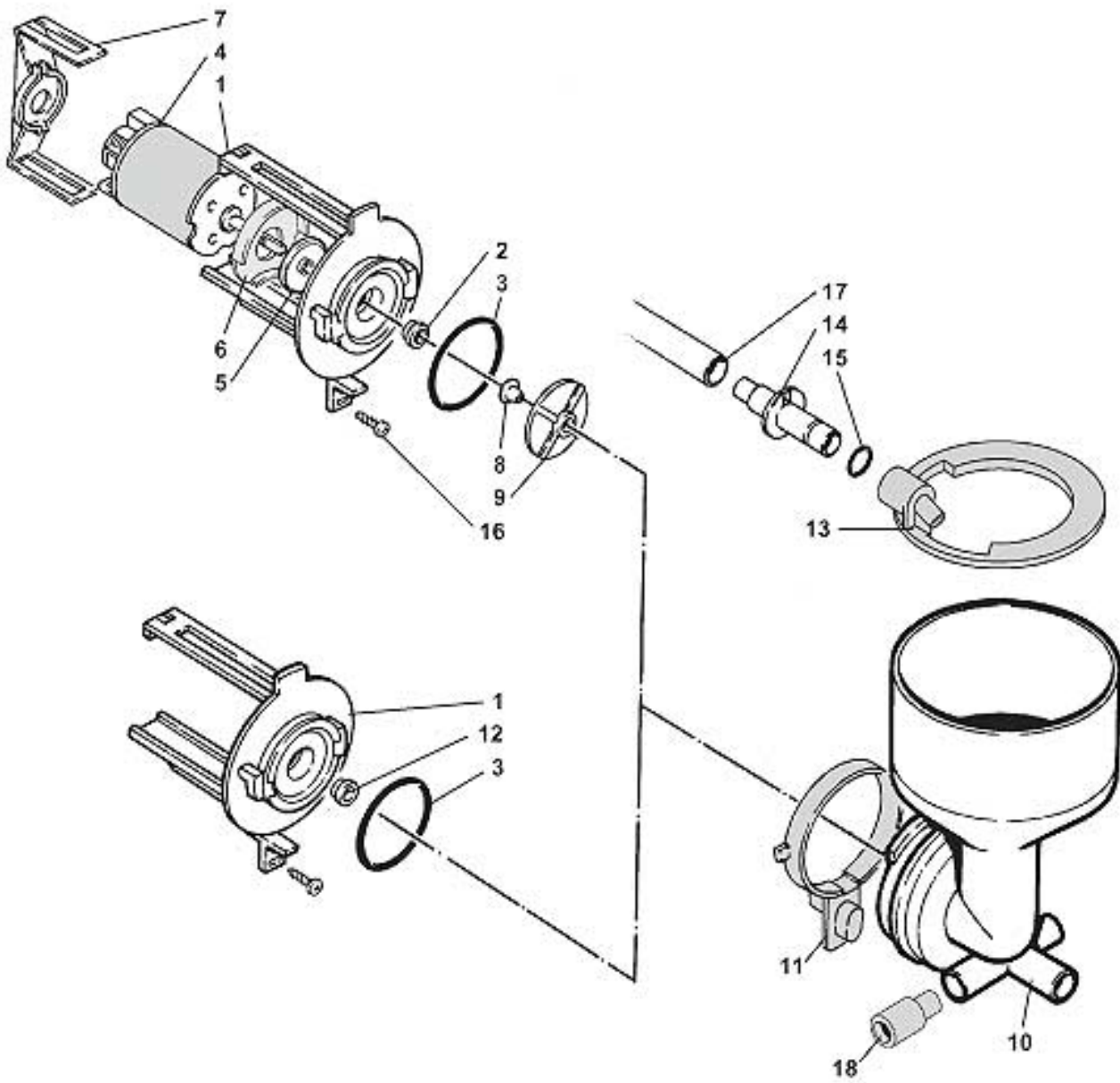
Pos.	Code	Description
1	0020040205	CUPS LOADER
2	0180005009	LOADER SHORT WALL
3	0180005013	R.H. WALL ASSEMBLY
4	0180012224	WALL-PUSHER ARM
5	0180012226	WALL-PUSHER ARM
6	0180005011	LOADER WALL SUPPORT SPRING
7	0020040211	CUPS LOADER BOTTOM
8	0020040219	LAMP SUPPORT ASSEMBLY
9	ELE0009018	L 8 W 20 LAMP
10	ELE0009107	BIPLUG G 13 LAMP HOLDER
11	0020040209	COVER HOOK
12	0180012227	CENTRAL COLUMN
13	0180005007	CENTRAL COLUMN GUIDE
14	0180012239CL	CENTRAL COLUMN RING NUT
15	VIT0002401	TAPPING SCREW TCB 3.5 x 9.5
16	0180012233	4 COLOUMNS CONTAINER
17	0180012243	4 COLUMNS LOADER COVER
18	VIT0007021	3 x 6 ALUMINIUM RIVET
19	0180012208	DB SUPPORT
20	0180012207	FORK CAM SUPPORT
21	0180012209	MICRO SUPPORT
22	VIT0002009	TAPPING SCREW T.C.B. 3.5 x 6.5
23	ELE0001522	1-WAY 16 A 250 V MICROSWITCH
24	ELE0001906	161 E R 24.1 MICRO LEVER
25	VIT0002011	2.9x 9.5 TAPPING TCB SCREW
26	0180012211	FORK MOVEMENT PROFILE
27	0180012216	BUSH
28	VIT0000207	M 5x8 H.H. SCREW
29	0180012214	CUP STOP
30	0180012212	FORK SHAFT
31	0180012217	CUP SUPPORT FORK
32	VIT0003406	D.5.3 GROWER WASHER
33	VIT0004509	NUT M 4 x 1,5
34	0180012237R	FORK CAM
35	0200001011	CONTROL CONNECTING ROD ROLL
36	0200001012	ROLL PIN
37/a	0090002514	MT.G70.C2.BL.EH.00 24V DC
37/b	SCH0003740	DC MOTORS FILTER
38	VIT0000004	M 3x10 TCB SCREW
39/a	0090002512	24 V DC 10 ROM GEAR MOTOR HEXAGONAL SHAFT
39/b	SCH0003740	DC MOTORS FILTER
40	0190006007	FGEAR MOTOR PINION
41	0190006003	CUPS LOADER LOWER PLATE It's part of kit 0190012155CL
42	0190006005	CAM WITH PINION
43	0190006004	Z 66 RING NUT
44	0190006002	CUPS LOADER UPPER PLATE It's part of kit 0190012155CL
45	VIT0000019	M 5x35 TCB SCREW
46	SCH0004220	CUP DETECTOR
47	0180005004	Z.30 PINION
48	7500902054	SUPPLEMENTARY INSULATION
49	4003502021	GROUP SECURING SCREW
50	4600010014	MICRO SPACER
51	0180012238	PUSHING SPRING
52	VIT0003004	5.3x10x1 WASHER
53	1600001098	SYNTHETIC RUBBER D.4.5 SPACER
100	0180012232CL	4 COLUMNS ASEMBLED LOADER COVER



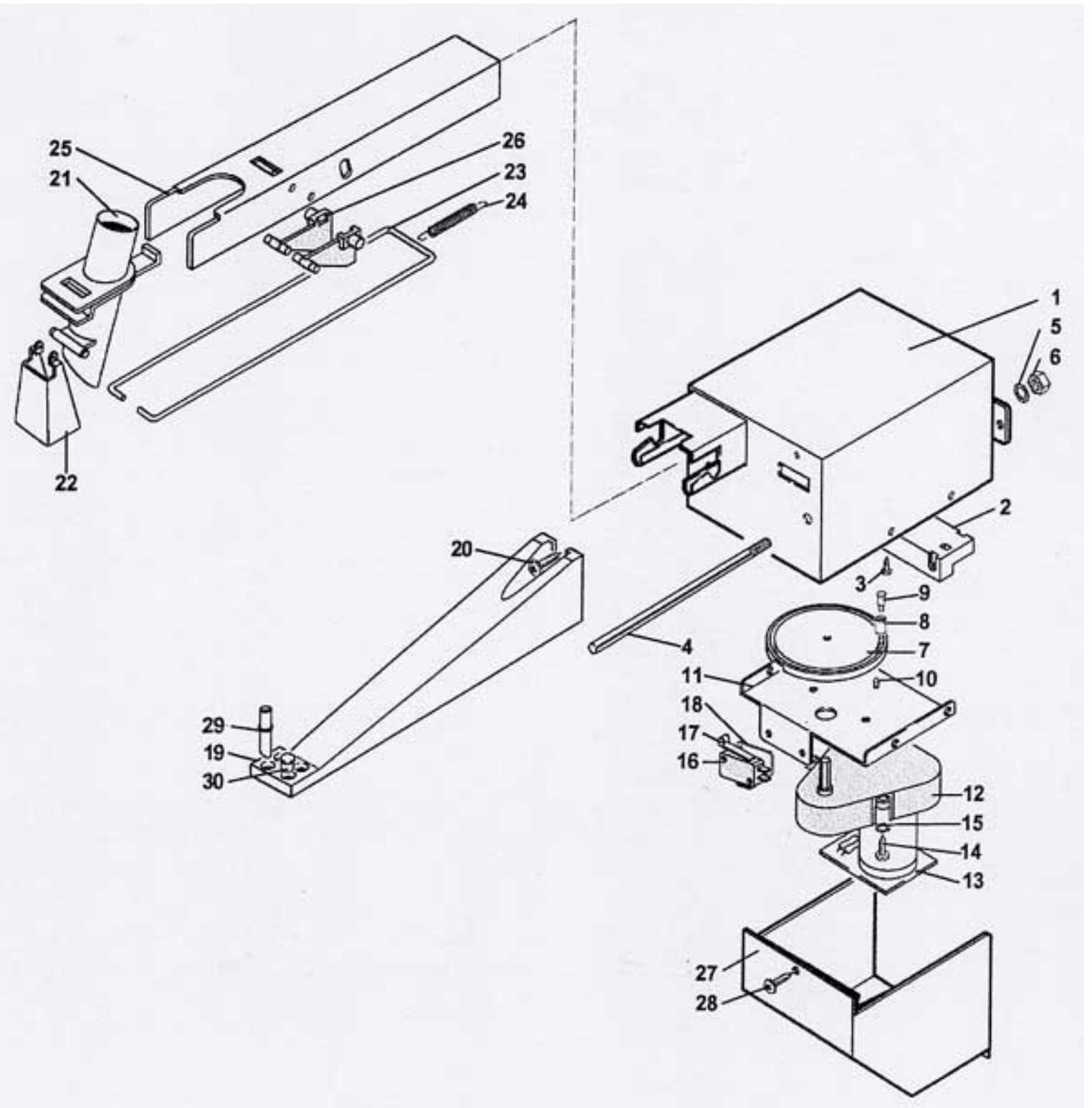
Pos.	Code	Description	
1/a	0450003511	STICKS DISPENSER 89 mm ASSEMBLY	
1/b	0450003522	STICKS DISPENSER 104 mm ASSEMBLY	
2	0450003507	STICKS CHUTE	
3	0450003512	STICKS DISPENSER SUPPORT BRACKET	
4	0380010431	MOBILE WALL SPRING	
5	0020018061	BUTTON PLUG	
6	4050006016	FULCRUM SHAFT	
7	VIT0006502	D.3.2 RADIAL STOP RING	
8	0450002003	STICKS DISPENSER	
9	0450003031	STICKS DISPENSER SPACER 104 mm	
10	ELE0000058	ELECTR.PR3 5% 24V DC WITH FASTON	
11	VIT0005404	KERPIN 4X35 A2 S2DIN1472 PLUG	
12	0450002010	STICKS DISPENSER PIN SPRING	
13/a	0450003513	STICKS DISPENSER SHAFT 89	
13/b	0450003524	STICKS DISPENSER SHAFT 104	
14	VIT0005403	KERPIN 3X28 A2 S2DIN1472 PLUG	
15	VIT0006503	D.4 RADIAL STOP RING	
16	VIT0002401	TAPPING SCREW TCB 3.5 x 9.5	
17/a	4001012030	STICK WEIGHT 89 mm	
17/b	0450003033	STICK WEIGHT 104 mm	
100	0450003500CL	STICKS DISPENSER 89 XM	assieme
101	0450003520CL	STICKS DISPENSER 104 XM	assieme



Pos.	Code	Description
1	0230030233	PLASTIC INGREDIENT CONTAINER h265 PP
2	0230030236	MIXER GEAR
3	0230030012	WORM SCREW PIN
4	GUA0000083	OR 123
5/a	0230030014	WORM SCREW P.18
5/b	0230030013	WORM SCREW P. 9
6	VIT0005301	ELASTIC PIN D.2 x 14
7	0230030011	REAR BUSH
8	0230030234	PLASTIC INGREDIENT CONTAINER h265 PP
9	0230030237	MIXER GEAR mm.110
10/a	0230030041	INGREDIENT MIXER 112 mm. R.H. OUTLET
10/b	0230030042	INGREDIENT MIXER 112 mm. L.H. OUTLET
11	VIT0003210	STAINLESS STEEL FLAT WASHER D. 8.4 x 14 x 1.6
12	0230030006	CONTAINER COVER 55 mm. *
13	0230030009	CONTAINER COVER 112 mm.
14/a	0230030198R	RIGHT CONVEYOR INGREDIENT
14/b	0230030187R	RIGHT CONVEYOR INGREDIENT
15/a	0230030197R	LEFT CONVEYOR INGREDIENT
15/b	0230030186R	LEFT CONVEYOR INGREDIENT
16/a	0230030199R	CONVEYOR INGREDIENT
16/b	0230030188R	CONVEYOR INGREDIENT
17	0230030052	ANTIBRIDGING
18	0230030239	GEAR PIN FORK
19	0230030238	PIN ROTATION GEAR
100	0230030013CL	PIN WORM SCREW P. 9 ASSEMBLED
101	0230030014CL	PIN WORM SCREW P. 18 ASSEMBLED
102	0230030250R	CONT. PROD. SMALL 54mm VSF18 C/COVER
103	0230030251R	SMALL PRODUCT CONT.H265 WORM SCREW 9 W/COVER
104	0230030254R	SMALL PRODUCT CONT.H265 WORM SCREW 9 WITH COVER
105	0230030260R	LARGE PRODUCT CONT.H265 WORM SCREW 18 W/O RIGHT H-S EXIT FEEDER
107	0230030262R	LARGE PRODUCT CONT.H265 WORM SCREW 18 LEFT EXIT FEEDER W/COVER



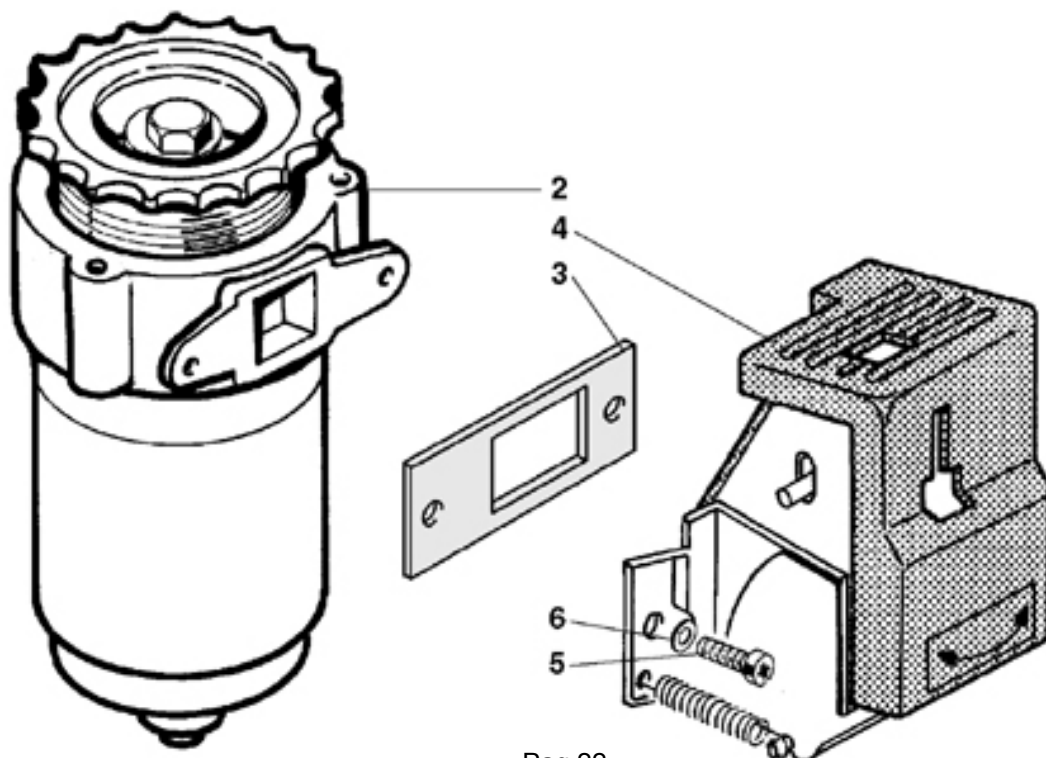
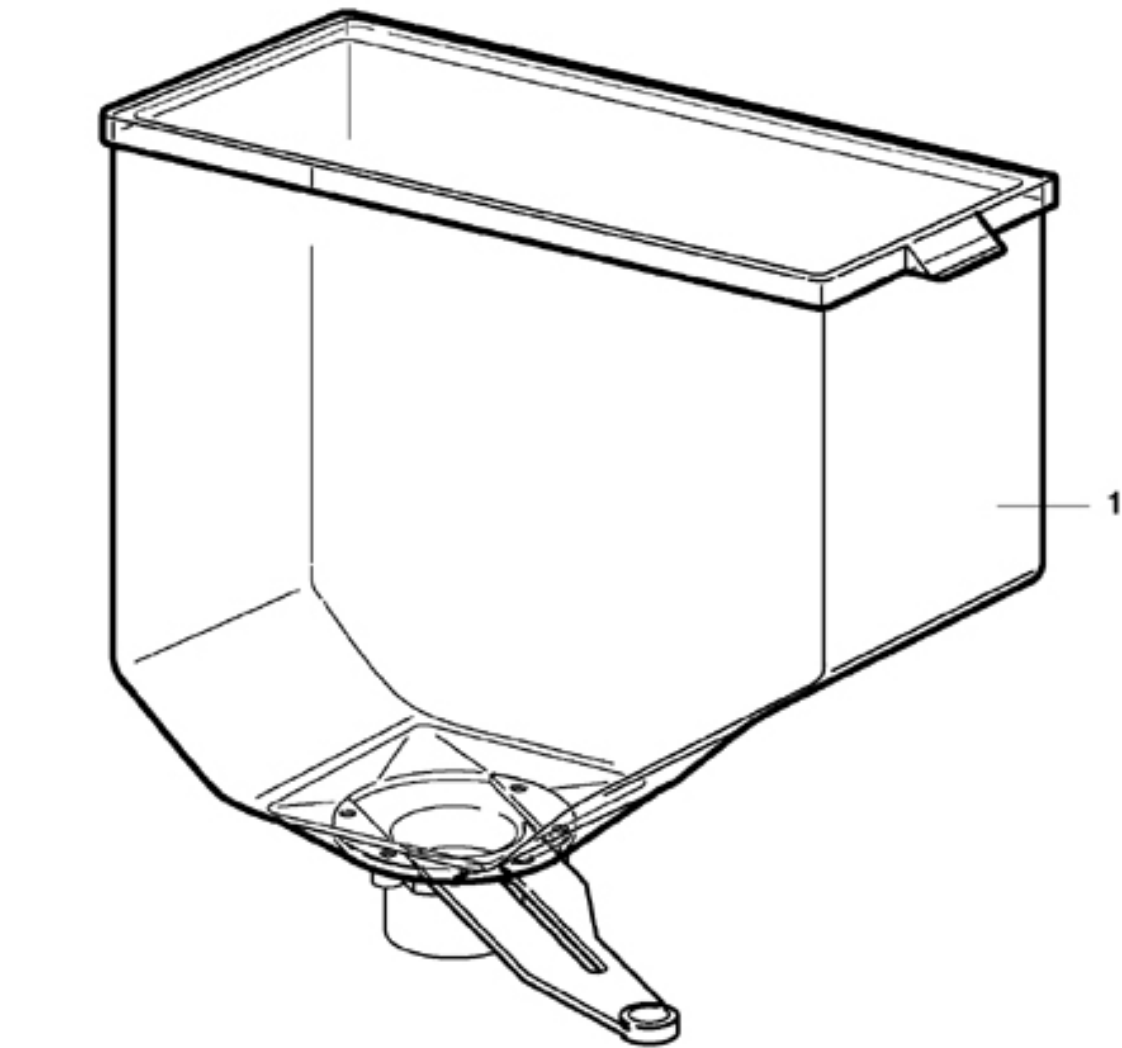
Pos.	Code	Description	
1	0080100005	MIXER BASE	
2	0080100015	MIXER BASE BUSH	
3	GUA0000084	OR 3131	
4	0090003023	24 V DC MIXER MOTOR SHAFT D.4	
5	0080100024	DRIP TRAP FAN	
6	0080100023	MIXER COVER	
	0080100023IC	MIXER COVER ORANGE RAL 2011	
7	0080100009	MOTOR HOUSING CONNECTION	
	0080100009IC	MOTOR HOUSING CONNECTION ORANGE RAL 2011	
8	0080100014	MIXER SHAFT GASKET D.4	
9	0080100011	SMALL FAN MIXER SHAFT D.4	
	0080100011PL	SMALL FAN MIXER SHAFT D.4 OVERSEAS BLUE RAL 5002	
10	0080100041	MIXER BODY NO INLET	
	0080100041PL	MIXER BODY NO INLET OVERSEAS BLUE RAL 5002	
11	0080100006	STOPPER RING	
	0080100006IC	STOPPER RING ORANGE RAL 2011	
12	0080100018	MIXER BASE PLUG	
13	0080100042	MIXER TRAP WITH INLET	
	0080100042PL	MIXER TRAP WITH INLET OVERSEAS BLUE RAL 5002	
14	0080100043	SHORT MIXER INSERT	
15	GUA0000085	SILICONE OR 106	
16	VIT0002401	TAPPING SCREW TCB 3.5 x 9.5	
17	TSIL06/09TC	TRANSPARENT SILICONE PIPE	
18	0080100095	COFFEE OUTLET REDUCTION D.4	
100	0080100001R	MIXER BASE+MOTOR ASSEMBLY (FROM POS.1 TO POS.9)	assieme



XM - DISTRIBUTION PIPES MOVEMENT

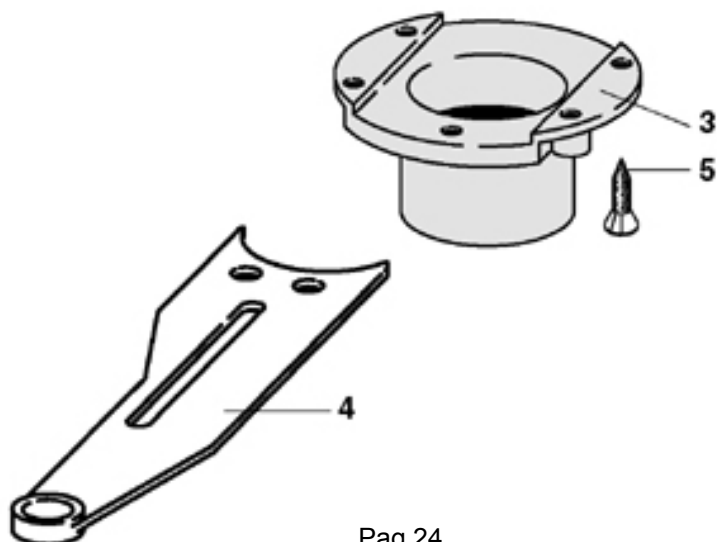
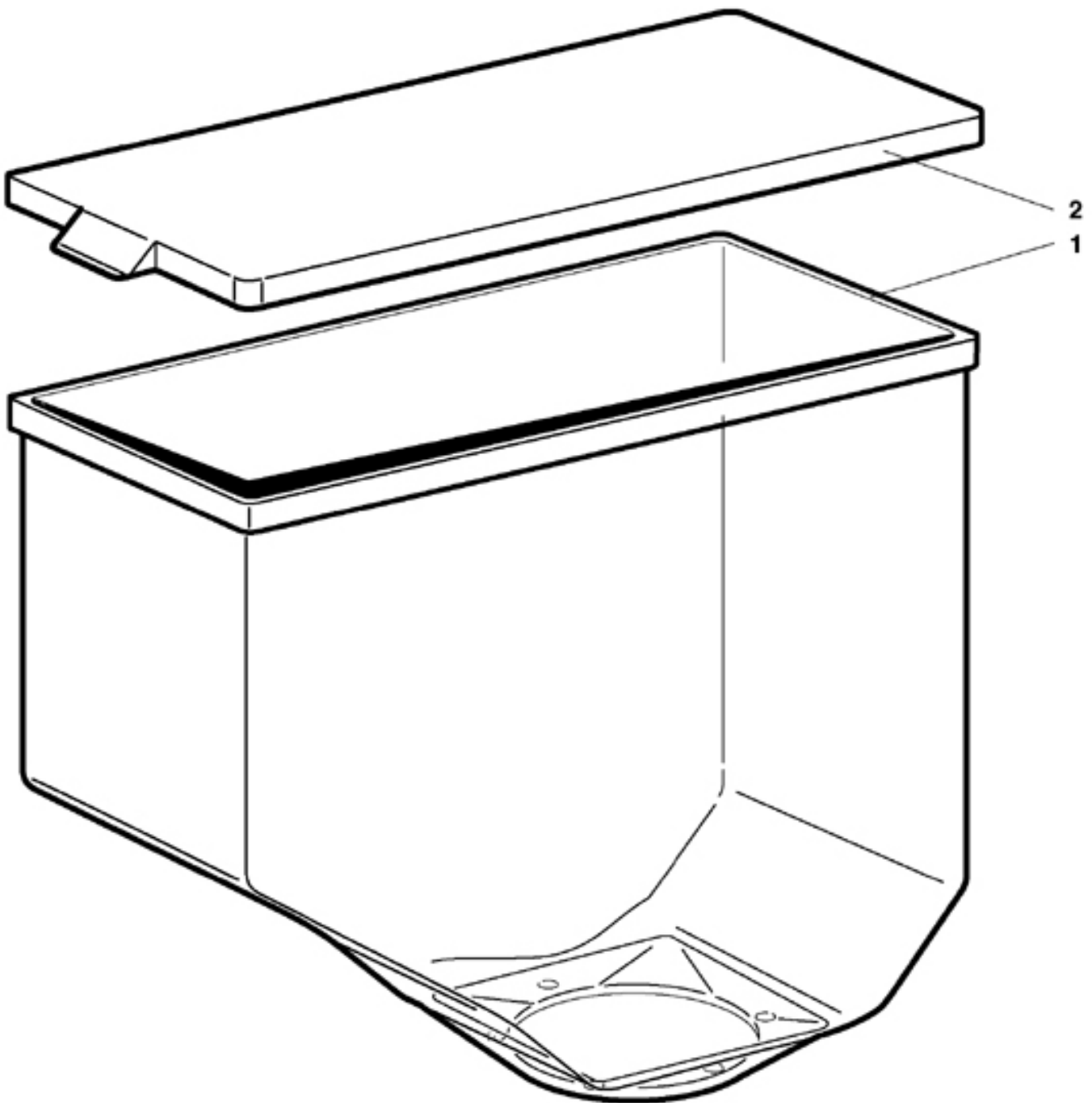
Pos.	Code	Description
1	0380011329	PIPES MOVEMENT HOUSING
2	0380011321	PIPES SUPPORT GUIDE
3	VIT0002401	TAPPING SCREW TCB 3.5 x 9.5
4	0380011322	SUGAR SUPPORT GUIDE SHAFT
5	VIT0003103	WASHER tab D. 4.3
6	VIT0004503	NUT M 4
7	0380011326R	CONNECTING ROD
8	0200001011	CONTROL CONNECTING ROD ROLL
9	0200001012	ROLL PIN
10	VIT0007002	M 4 x 6 DOWEL
11	0380011311	GEAR MOTOR SUPPORT
12	0090002512	24 V DC 10 ROM GEAR MOTOR HEXAGONAL SHAFT
13	SCH0003740	DC MOTORS FILTER
14	VIT0000003	M 3x8 TCB SCREW
15	VIT0003102	WASHER tab D. 3.2
16	ELE0001522	1-WAY 16 A 250 V MICROSWITCH
17	ELE0001906	161 E R 24.1 MICRO LEVER
18	7500902054	SUPPLEMENTARY INSULATION
19	0380011323	PRODUCT PIPES SUPPORT ESTRAIBILE
20	VIT0000006	M 3x16 TCB SCREW
21	0380010423	SUGAR CHUTE
	0380010423NA	SUGAR CHUTE BLACK
22	0380010424	MOBILE WALL
	0380010424NA	MOBILE WALL BLACK
23	0380011328	REMOVABLE SUPPORT CONNECTION
24	0380010431	MOBILE WALL SPRING
25	0380011327	PIPES MOVEMENT SUPPORT
26	0380010599	KEY PIPES MOVEMENT
27	0380011324	GEAR MOTOR COVER
28	VIT0002009	TAPPING SCREW T.C.B. 3,5 x 6,5
29	0380010657NA	DISPENSER PIPE
30	0380010656NA	BLACK PLUG
100	0380011310CL	SUGAR MOVEMENT ASSEMBLY

assieme



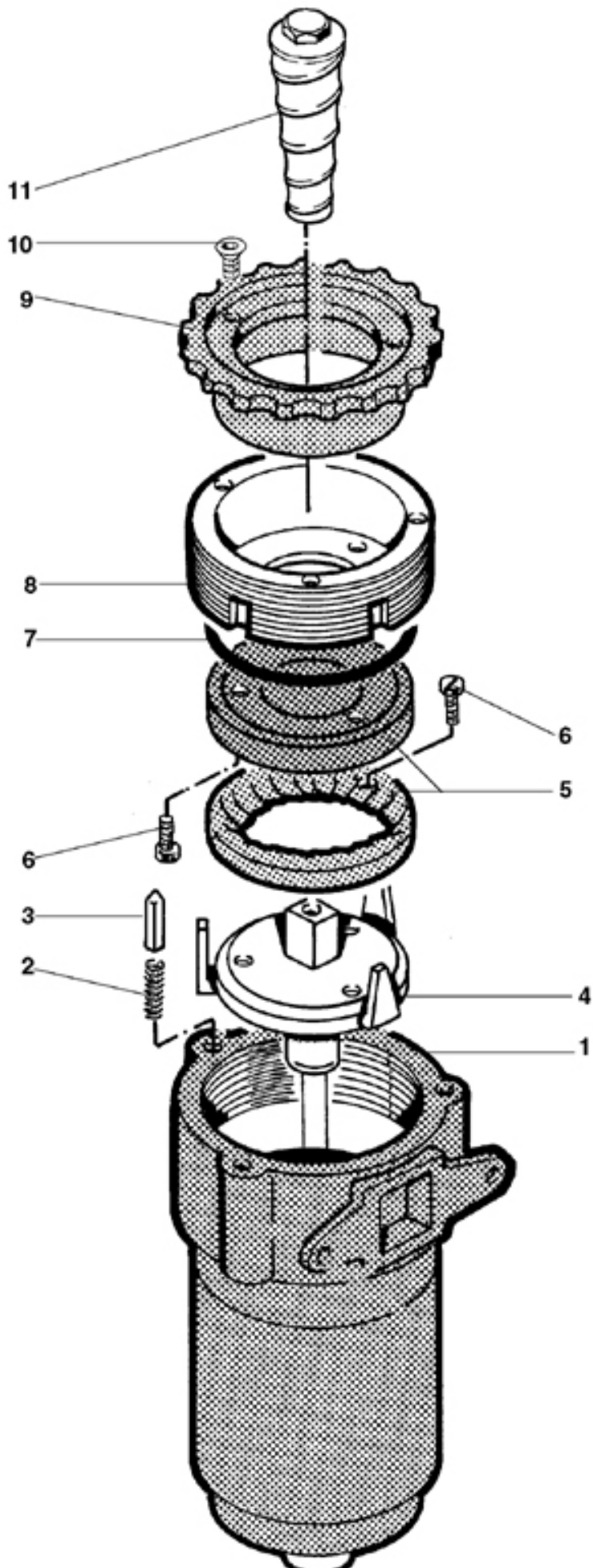
XM - CONTAINER BATCHER GRINDER GROUP

Pos.	Code	Description
1		See table CONTENITORE PRODOTTO CAFFE IN GRANI
2		See table VERTICAL MILL GROUP
3	0320004141	MILL-BATCHER PLATE
4		See table PL BATCHER GROUP WITH 24 V DC SETTING
5	VIT0000013	M 4x12 TCB SCREW
6	VIT0003103	WASHER tab D. 4.3

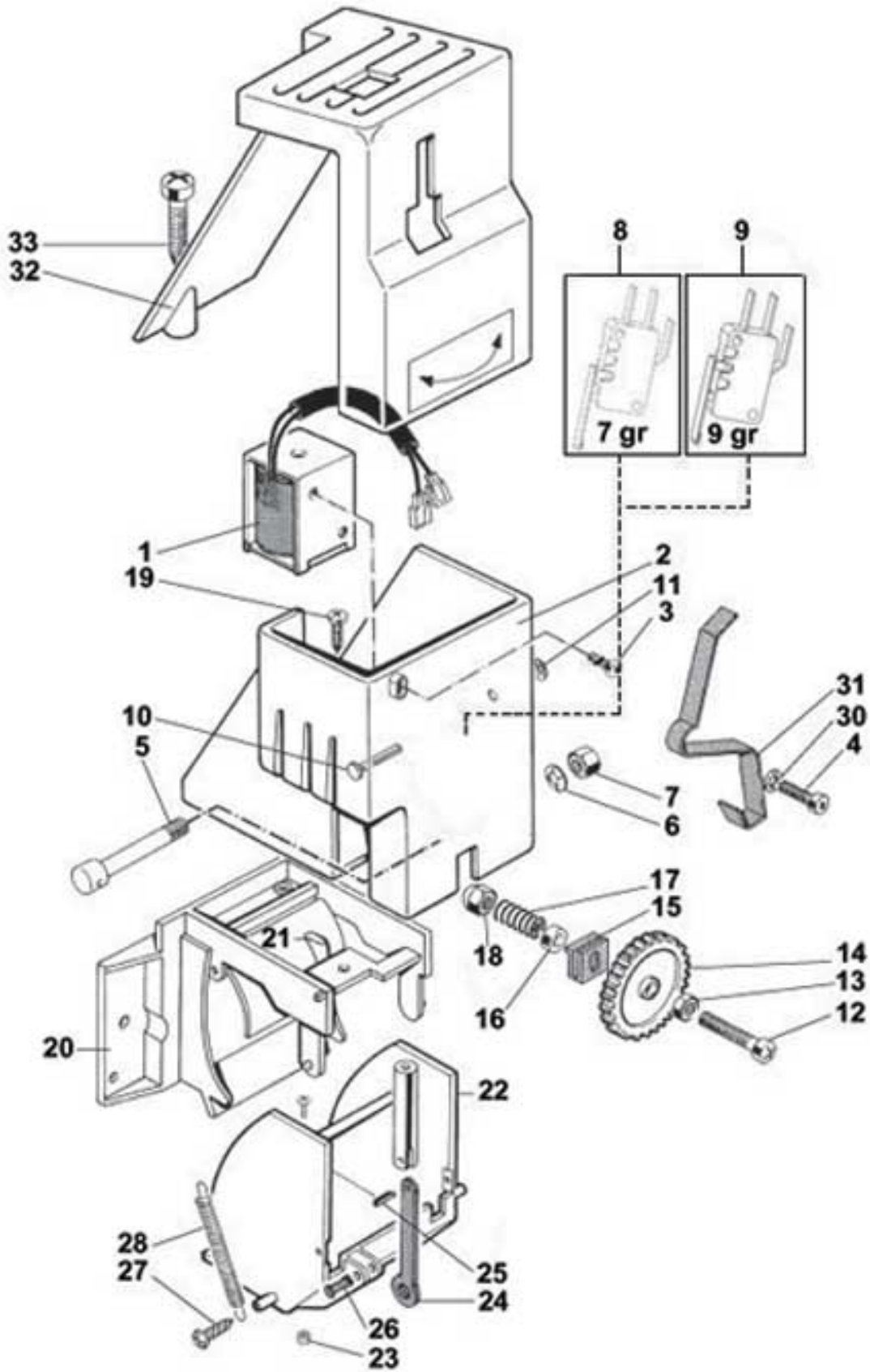


XM - CONTENITORE PRODOTTO CAFFE IN GRANI

Pos.	Code	Description
1	0230015171	COFFEE CONTAINER
2	0230015172	COFFEE CONTAINER COVER E/8
3	0230015066	COFFEE CONTAINER BOTTOM
	0230015066NA	COFFEE CONTAINER BOTTOM BLACK
4	0230015207	RED COFFEE CONTAINER BLADE
	0230015207IC	RED COFFEE CONTAINER BLADE ORANGE RAL 2011
5	VIT0002104	2.9x 13 STAINLESS STEEL TAPPING TCB SCREW
100	0230015170R	COFFEE CONTAINER WITH COVER

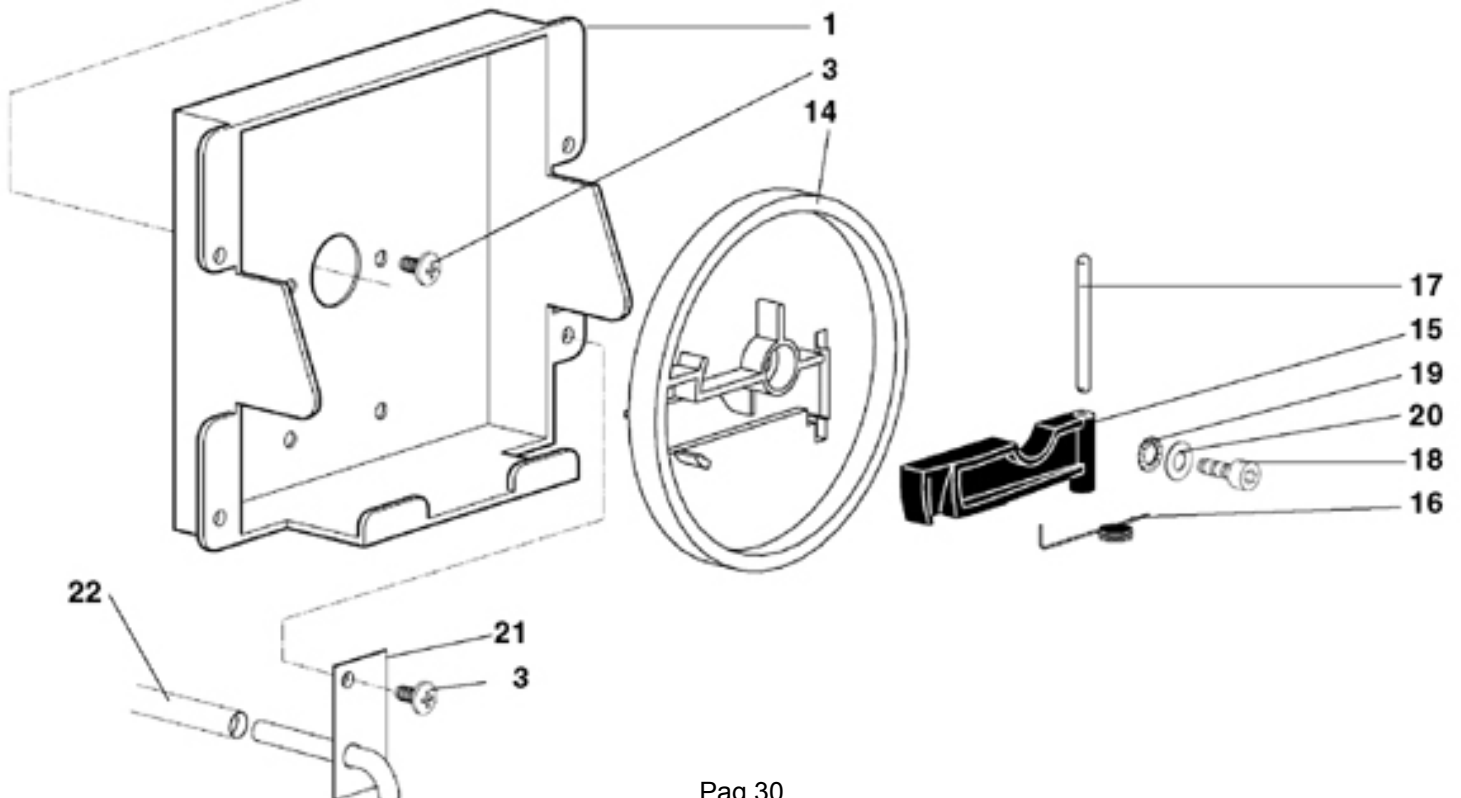
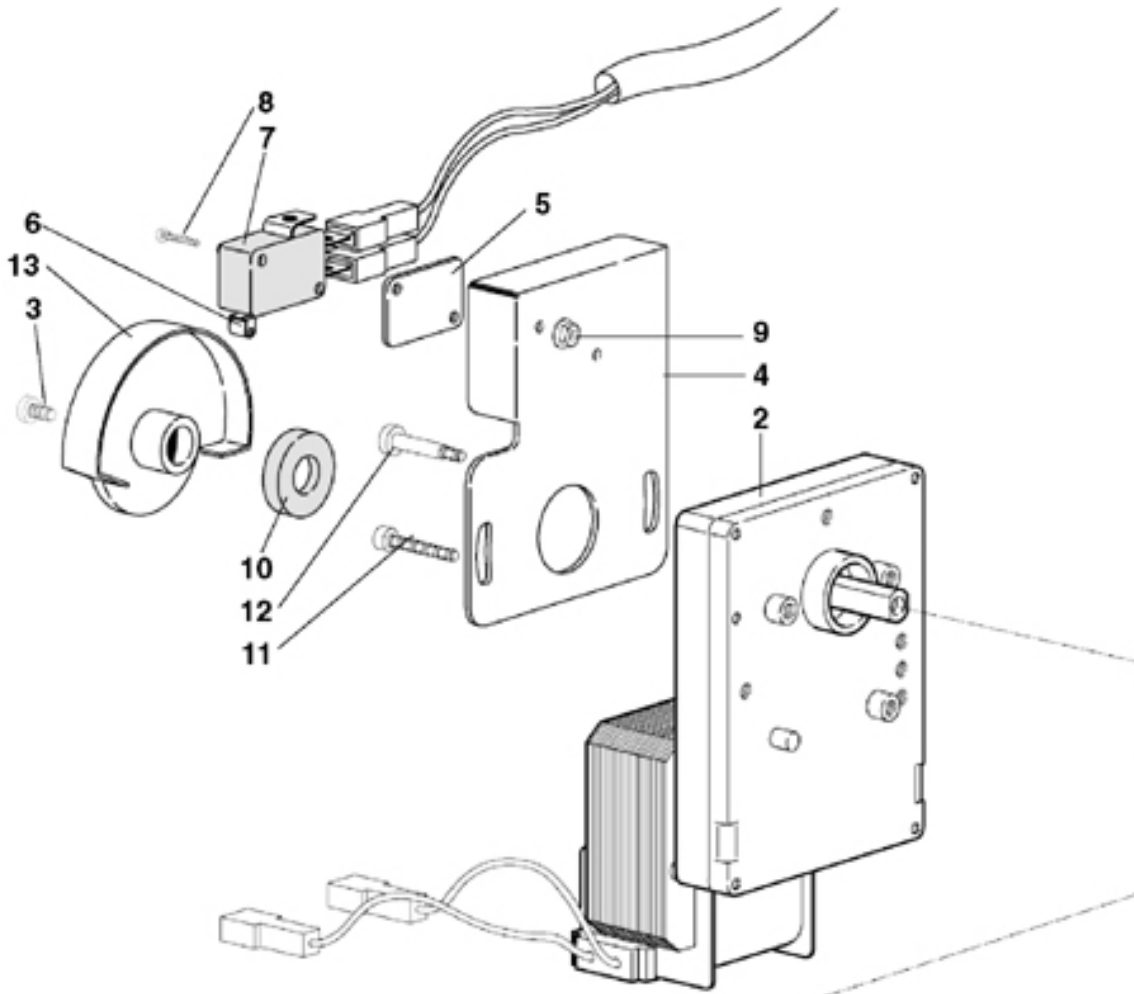


Pos.	Code	Description	
1	0090002099	MOTOR WITH GRINDER	It's part of kit 0320004150CL
2	270001023	DOOR SWITCH SPRING	
3	0320002011	COMPENSATING PIN	
4	0320004107	LOWR GRINDER SUPPORT	
5	0090003033	D.54 TYPE 4 GRINDER COUPLE	
6	VIT0000024	M 4x8 TCB SCREW	
7	GUA0000060	3225 OR	
8	0320004109	UPPER GRINDER SUPPORT	
9	0320004112GD	GRINDER SUPPORT RING NUT	
10	VIT0000102	M 3x10 TSP SCREW	
11	0320004116	LOWER GRINDER SUPPORT WORM SCREW	
100	0320004150CL	E MILL ASSEMBLY	assieme



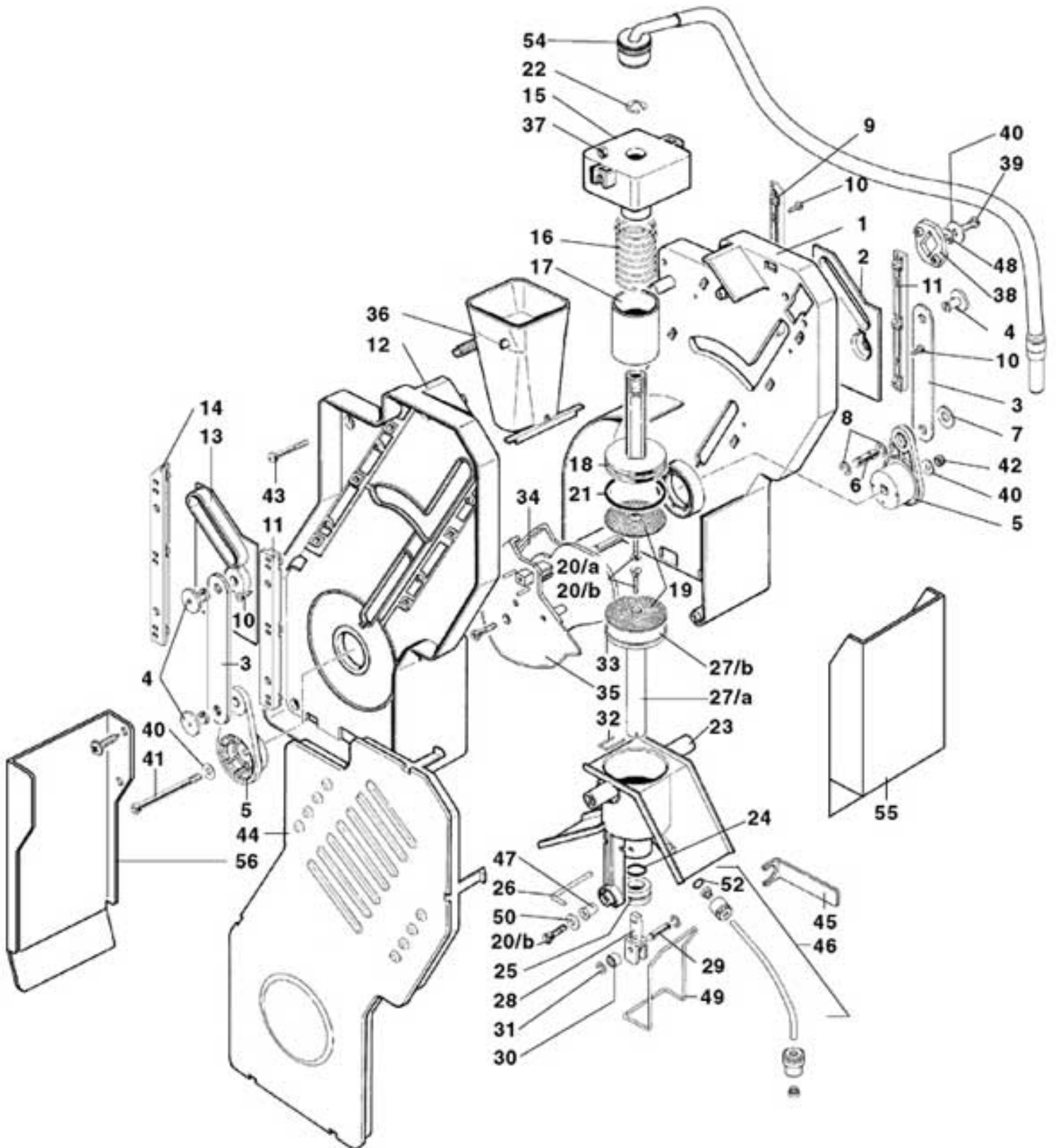
XM - PL BATCHER GROUP WITH 24 V DC SETTING

Pos.	Code	Description	
1	ELE0000056	24V DC ELECTROMAGNET W/CABLES	
2	0350003136	ELECTROMAGNET SUPPORT	
	0350003136NA	ELECTROMAGNET SUPPORT BLACK	
3	VIT0000028	M 3x14 TCB SCREW	
4	VIT0000005	M 3x12 TCB SCREW	
5	0350003114	SETTING PIN	
6	VIT0009161	D.3.2 x 8 x 0.4 SPRING	
7	VIT0004814	M.3 SELFLOCKING NUT	
8	0350003112R	MICRO WITH FRONT POSITION LEVER 7 GR	
9	0350003312R	MICRO WITH CENTRAL POSITION LEVER 9 GR	
10	0350003112	ROTATION PIN	
11	VIT0007101	D.3 BENZING-QUICKLOCK	
12	VIT0000009	M 3x30 TCB SCREW	
13	VIT0004502	M3 NUT	
14	0350003113	WEIGHT SETTING WHEEL	
	0350003113NA	WEIGHT SETTING WHEEL BLACK	
15	0350003115	SETTING SPRING	
16	7500102053	MICRO SPACER	
17	0350003115	SETTING SPRING	
18	VIT0004813	M.3 CAP NUT	
19	VIT0002011	2.9x 9.5 TAPPING TCB SCREW	
20	0350003105	BATCHER BODY	
	0350003105NA	BATCHER BODY BLACK	
21/a	0350003106	BLADE Up to serial 04539999	
21/b	0350003314	BLADE From serial 05010001	
	0350003314NA	BLADE From serial 05010001 BLACK	
22	0350003301	COFFEE FEEDER	
	0350003301NA	COFFEE FEEDER BLACK	
23	0350003302	SHAKER	
24	0350003126	ELECTROMAGNET CONNECTING ROD	
	0350003126NA	ELECTROMAGNET CONNECTING ROD BLACK	
25	VIT0005105	2 x 8 STAINLESS STEEL ELASTIC PIN	
26	0350003111	PIN	
	0350003111NA	PIN BLACK	
27	VIT0002001	2.9x 6.5 TAPPING TCB SCREW	
28	0350003129	RETURN SPRING	
29			
30	VIT0003102	WASHER tab D. 3.2	
31	0350003124	BATCHER LOCK	
32	0350003128	COVER	
33	VIT0002469	SCREW TC 3.5 x 10 FOR PLASTIC	
100	0350003110CL	24 V DC COFFEE PLASTIC BATCHER W/SETTING	assieme
101	0350003310CL	24 V DC COFFEE PLASTIC BATCHER 9gr	

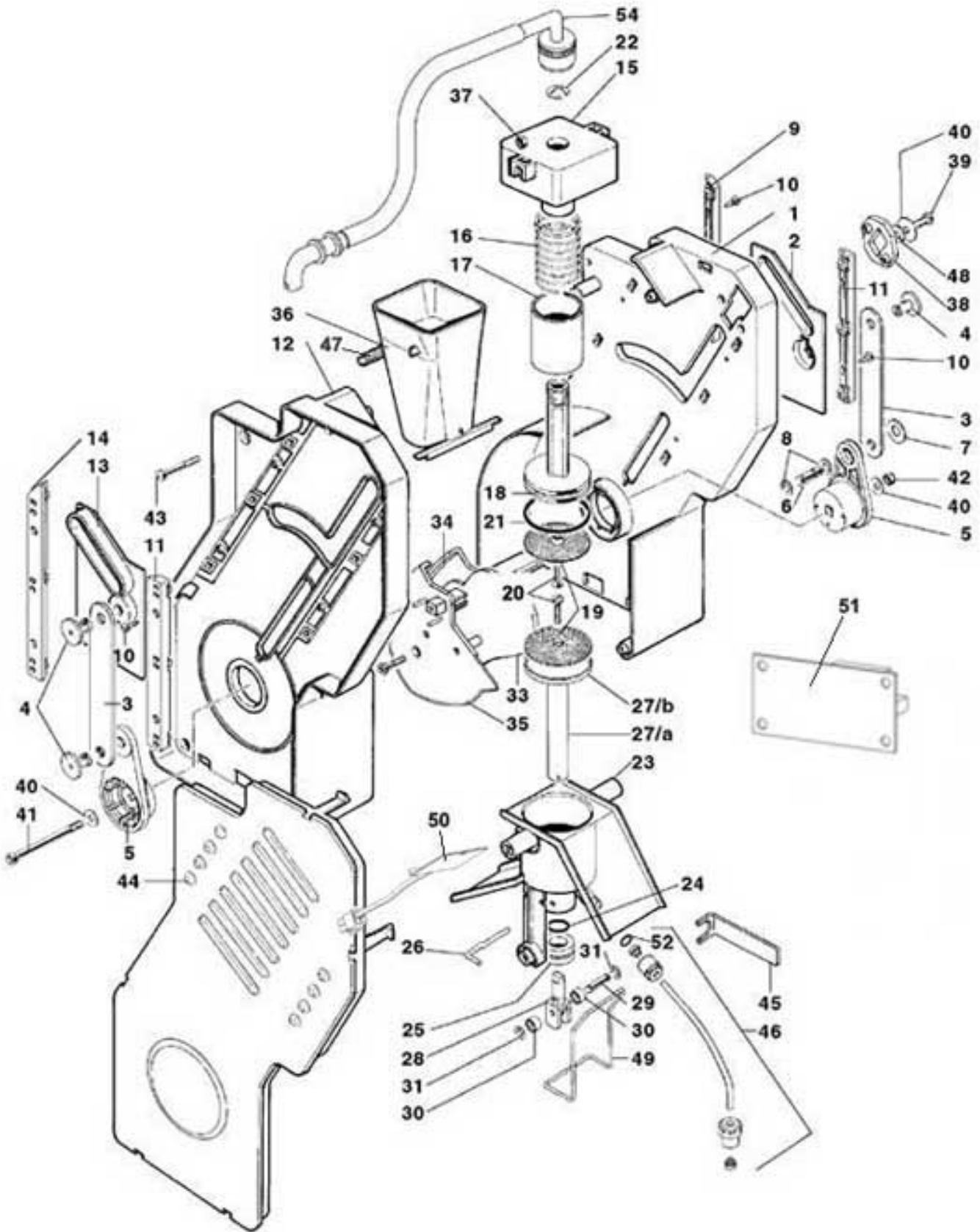


XM - MICRO COFFEE GROUP MOTOR SUPPORT

Pos.	Code	Description	
1	0260010102	MICRO GROUP MOTOR SUPPORT	
2/a	0090002186	MICRO GROUP MOTOR	
2/b	0090002189	MICRO GROUP MOTOR 115/60 UL FOR VERSION UL	
3	VIT0000030	SCREW TCB M4 x 7	
4	0250008093	MICRO PLATE	
5	4600010014	MICRO SPACER	
6	ELE0001904	MICRO LEVER	
7/a	ELE0001510	1 WAY 0.1 A 250 V MICROSWITCH	
7/b	ELE0001528	MICRO 83.161.832 FOR VERSION UL	
8	VIT0000006	M 3x16 TCB SCREW	
9	VIT0004701	M3 FR NUT	
10	0250008091	MICRO SPACER	
11	0250008092	M4 SPECIAL SCREW	
12	VIT0005521	4x25 TCEI SCREW	
13	0250008043	GROUP READER DISK	
14	0250008012	MOTOR CRANK	
15	0250008034	HOOKING LEVER	
16	0250008059	SPRING FOR HOOKING LEVER	
17	VIT0005205	4 x 40 CYLINDRICAL PIN	
18	VIT0005508	4x12 TCEI SCREW	
19	VIT0003103	WASHER tab D. 4.3	
20	VIT0003003	WASHER D.8 x 4.3 x 0.8	
21	0010022138	TRAY WITH PIPE SUPPORT	
22	TSIL07/11T	TRANSPARENT SILICONE PIPE D.7 x 11	
100	0260010110CL	MICRO COFFEE GROUP MOTOR SUPPORT	assieme

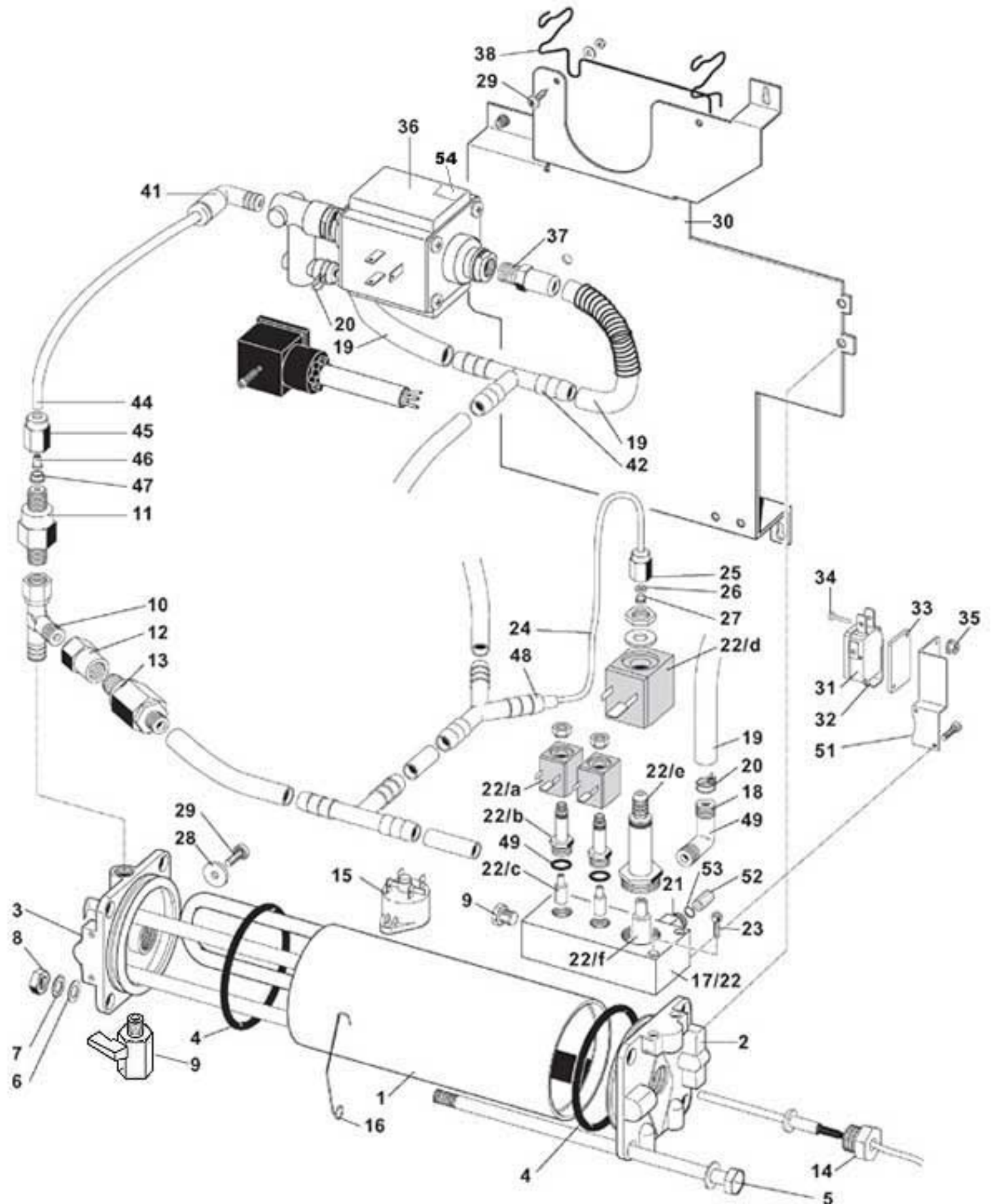


Pos.	Code	Description
1	0250008005	R.H. FRAME It's part of kit 0250008005R
2	0250008084	R.H. INFUSION CHAMBER CAM
3	0250008009	CONNECTING ROD
4	0250008028	PIN FOR CONNECTING ROD
5	0250008011	R.H. CRANK
6	0250008014	MOTOR CRANK PIN
7	0250008042	ANTIVIBRATION WASHER
8	VIT0006515	D.5 RADIAL STOP RING
9	0250008031	R.H. REAR GUIDE
10	VIT0002026	3.5x 6.5 STAINLESS STEEL TAPPING TCB SCREW
11	0250008033	FRONT GUIDE
12	0250008006	L.H. FRAME It's part of kit 0250008005R
13	0250008085	L.H. INFUSION CHAMBER CAM
14	0250008032	L.H. REAR GUIDE
15	0250008086	UPPER FILTER SUPPORT
16	0250008024	UPPER FILTER SPRING
17	0250008087	SPRING COVER PIPE
18/a	0250008026	D.36 UPPER FILTER FOR COFFEE BEANS GROUP D. 36
18/b	0250008208	D.40 UPPER FILTER FOR COFFEE BEANS GROUP D. 40
	0250008208IC	D.40 UPPER FILTER FOR COFFEE BEANS GROUP D. 40 ORANGE RAL 2011
19/a	0250008099	FILTER FOR COFFEE BEANS GROUP D. 36
19/b	0250008211	FILTER D.40 FOR COFFEE BEANS GROUP D. 40
20/a	VIT0001202	M 3x14 TSP SCREW
20/b	VIT0000121	M 3x8 TSP SCREW
21/a	GUA0000080	SILICONE 4112 OR FOR COFFEE BEANS GROUP D. 36
21/b	GUA0000097	SILICONE 4131 OR FOR COFFEE BEANS GROUP D. 40
22	VIT0006513	D.8 STAINLESS STEEL INSIDE SEEGER
23/a	0250008046R	INFUSION CHAMBER FOR COFFEE BEANS GROUP D. 36
23/b	0250008206R	INFUSION CHAMBER D.40 FOR COFFEE BEANS GROUP D. 40
	0250008206RIC	INFUSION CHAMBER D.40 FOR COFFEE BEANS GROUP D. 40 ORANGE RAL 2011
24	GUA0000065	SILICONE OR 112
25	0250008053	LOWER INLET CUP BUSH
26	0250008029	GLASS BUSH PIN
27/a	0250008108	FILTER SUPPORT SHFT It's part of kit 0250008108R
27/b	0250008122	LOWER FILTER FOR COFFEE BEANS GROUP D. 36
27/c	0250008209	LOWER FILTER D.40 FOR COFFEE BEANS GROUP D. 40
	0250008209IC	LOWER FILTER D.40 FOR COFFEE BEANS GROUP D. 40 ORANGE RAL 2011
28	0250008106	LOWER FILTER ROLL SUPPORT
29	0250008021	ROLL SHAFT
30	0250008022	ROLL SHAFT
31	VIT0006516	D.3.2 RADIAL STOP RING
32	0250008027	LOWER FILTER PIN
33	0250008083	FILTER EJECTION CAM
34	0250008016	R.H. FILTER RECOVERY CAM
35	0250008017	L.H. FILTER RECOVERY CAM
36	0250008036	COFFEE CONE
37	VIT0004803	STAINLESS STEEL NUT M4
38	0250008035	SETTING PLATE
39	VIT0000032	M 4x8 INOX TCB SCREW
40	VIT0003309	4.3x16x1.5 STAINLESS STEEL FLAT WASHER
41	VIT0005523	4x60 STAINLESS STEEL TCEI SCREW
42	VIT0004810	M 4 SELFLOCKING NUT
43	VIT0002461	SCREW TCCCR 4,2 x 26
44	0250008039	L.H. FRAME COVER
	0250008039CM	L.H. FRAME COVER FOR COFFEE BEANS GROUP D. 40 MERCEDES GREY RAL 9006
	0250008039IC	L.H. FRAME COVER FOR COFFEE BEANS GROUP D. 40 ORANGE RAL 2011
45	0250008048	KEY FOR NUT
46	0250008110CL	WATER INLET PIPER ASSEMBLY
47	VIT0009203	M 3 CONNECTION FOR THERMOPLASTIC
48	VIT0003451	GROWER SPRING WASHER
49	0250008094	SCRAPER
50	0250008088	WASHER FOR CHAMBER CAM
51	0250008109R	D.36 LOWER FILTER+ROLL SUPPORT ASSEMBLY
52	GUA0000061	2010 VITON OR
53	0250008107R	LOWER FILTER ROLL SUPPORT
54	0250008160CL	COFFEE OUTLET PIPE ASSEMBLY
55	0010022139	GROUNDS FEEDER
56	0260010207	COFFEE POWDERS CHUTE
	0260010207CK	COFFEE POWDERS CHUTE FOR COFFEE BEANS GROUP D. 40 DUST GREY RAL 7037
100	0250008001R	MICRO COFFEE GROUP FOR COFFEE BEANS GROUP D. 36
101	0250008201R	MICRO COFFEE GROUP D.40 FOR COFFEE BEANS GROUP D. 40
102	0250008026R	D.36 UPPER FILTER ASSEMBLY FOR COFFEE BEANS GROUP D. 36
103	0250008208R	D.40 UPPER FILTER ASSEMBLY FOR COFFEE BEANS GROUP D. 40
104	0250008108R	D.36 LOWER FILTER



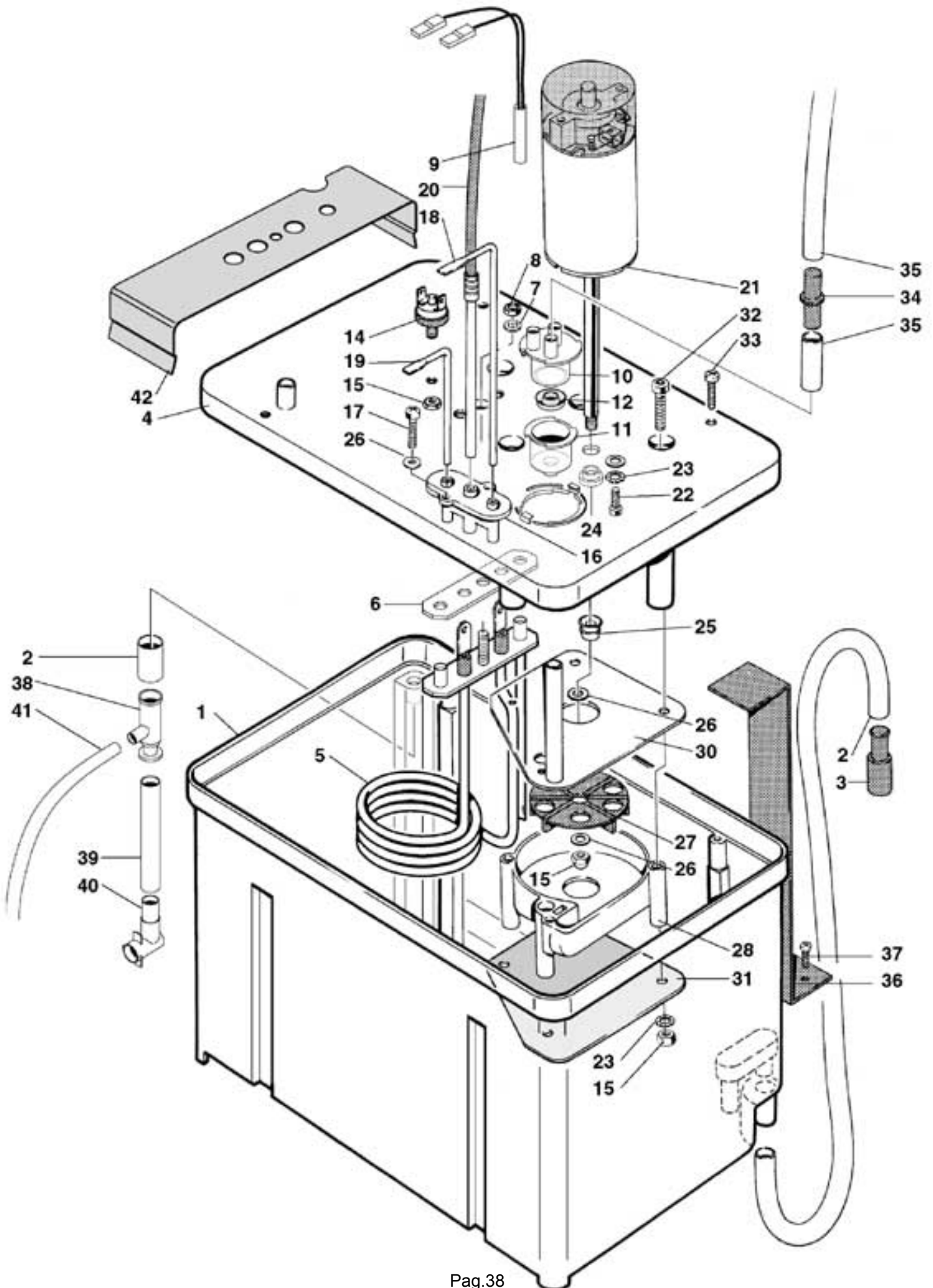
XM - HEATED MICRO COFFEE GROUP

Pos.	Code	Description
1	0250008005	R.H. FRAME It's part of kit 0250008005R
2	0250008084	R.H. INFUSION CHAMBER CAM
3	0250008009	CONNECTING ROD
4	0250008028	PIN FOR CONNECTING ROD
5	0250008011	R.H. CRANK
6	0250008014	MOTOR CRANK PIN
7	0250008042	ANTIVIBRATION WASHER
8	VIT0006515	D.5 RADIAL STOP RING
9	0250008031	R.H. REAR GUIDE
10	VIT0002026	3.5x 6.5 STAINLESS STEEL TAPPING TCB SCREW
11	0250008033	FRONT GUIDE
12	0250008006	L.H. FRAME It's part of kit 0250008005R
13	0250008085	L.H. INFUSION CHAMBER CAM
14	0250008032	L.H. REAR GUIDE
15	0250008086	UPPER FILTER SUPPORT
16	0250008024	UPPER FILTER SPRING
17	0250008087	SPRING COVER PIPE
18	0250008026	D.36 UPPER FILTER
19	0250008019	FILTER
20	VIT0000121	M 3x8 TSP SCREW
21	GUA0000080	SILICONE 4112 OR
22	VIT0006513	D.8 STAINLESS STEEL INSIDE SEEGER
23	0250008215R	INFUSION CHAMBER WITH GROUNDS CHUTE
24	GUA0000065	SILICONE OR 112
25	0250008053	LOWER INLET CUP BUSH
26	0250008029	GLASS BUSH PIN
27/a	0250008108	FILTER SUPPORT SHFT It's part of kit 0250008108R
27/b	0250008122	LOWER FILTER
28	0250008226	ROLL SUPPORT
29	0250008021	ROLL SHAFT
30	0250008022	ROLL SHAFT
31	VIT0006516	D.3.2 RADIAL STOP RING
33	0250008083	FILTER EJECTION CAM
34	0250008016	R.H. FILTER RECOVERY CAM
35	0250008017	L.H. FILTER RECOVERY CAM
36	0250008036	COFFEE CONE
37	VIT0004803	STAINLESS STEEL NUT M4
38	0250008035	SETTING PLATE
39	VIT0000032	M 4x8 INOX TCB SCREW
40	VIT0003309	4.3x16x1.5 STAINLESS STEEL FLAT WASHER
41	VIT0005523	4x60 STAINLESS STEEL TCEI SCREW
42	VIT0004810	M 4 SELFLOCKING NUT
43	VIT0002461	SCREW TCCCRT 4,2 x 26
44	0250008039	L.H. FRAME COVER
	0250008039CM	L.H. FRAME COVER MERCEDES GREY RAL 9006
	0250008039IC	L.H. FRAME COVER ORANGE RAL 2011
45	0250008048	KEY FOR NUT
46	0250008110CL	WATER INLET PIPER ASSEMBLY
47	0250008119	SPRING
48	VIT0003451	GROWER SPRING WASHER
50	0250008213R	COMPLETE HEATING ELEMENT
51	SCH0006880	HEATING ELEMENT POWER BOARD
52	GUA0000061	2010 VITON OR
54	0250008160CL	COFFEE OUTLET PIPE ASSEMBLY
100	0250008220R	HEATED MICRO COFFEE GROUP D.36
101	0250008227R	ASSEMBLED LOWER FILTER ROLL SUPPORT (POS. 28-29-30-31)

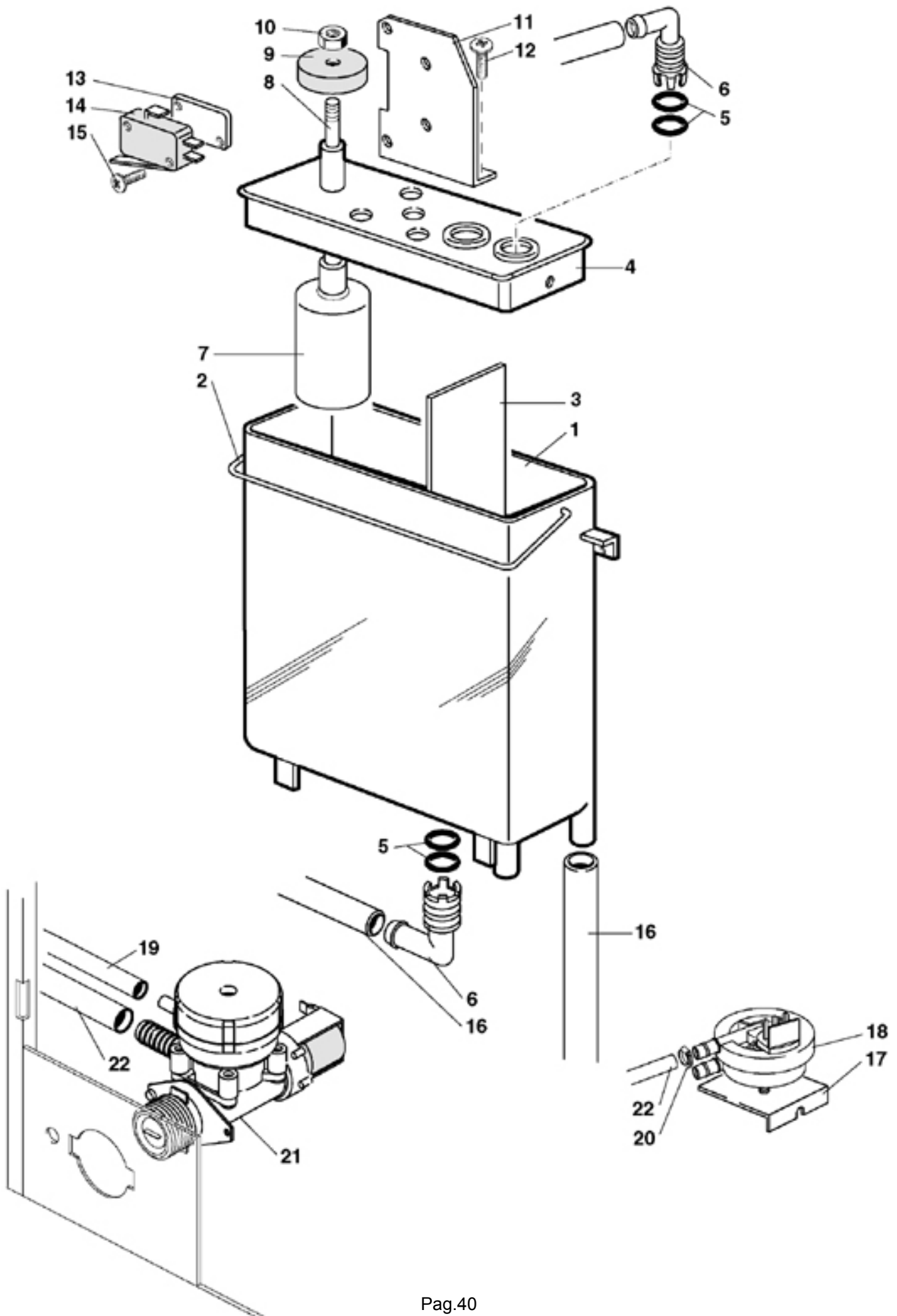


Pos.	Code	Description
1	0600012514	JACKET MM 150
2	0600012671	FLANGE FOR VALVE
3/a	0600012701	FLANGE WITH HEATING ELEMENT
3/b	0600012705	FLANGE WITH HEATING ELEMENT 1100W 120/60 FOR VERSION UL
4	GUA0000047	164 VITON OR
5	0600012515	TIE-BOLT MM 177
6	VIT0003206	D. 8.4x16x1.6 WASHER
7	VIT0003402	D. 8.4 GROWER SPRING WASHER
8	VIT0004506	M 8 NUT
9	0600019016	BOILER LIQUID WASTE COCK
10	0100001028	MALE T UNION 1/8-6-6
11	0110002008	1/8F - 1/8M INLET NON-RETURN VALVE
12		
13	0110002009	SAFETY VALVE
14	ELE0000969R	PROBE + ACCESSORIES
15/a	ELE0009001	120° CLICSON
15/b	ELE0009027	CLICSON 115° FOR VERSION UL
16/a	250020087	SAFETY SWITCH SECURING SPRING
16/b	0600012708	CLICSON CAMPINI SECURING SPRING FOR VERSION UL
17	0110001087	2 2-WAY VALVE + 1 3-WAY VALVE
18	250020146	ELBOW CONNECTION
19	TSIL06/09T	TRANSPARENT SILICONE PIPE D.6 x 9
20	FASC000101	PIPES CLIP
21	0110003106	H2O 3-WAY SOLENOID VALVE CONNECTION
22	0110001091	3 2-WAY SOLENOID VALVE + 1 3-WAY SOLENOID VALVE 24VDC GROUP
22/a	0110010145	6W 24 D.C. COIL 70%
22/b	0110010123	2-WAY SLEEVE CH 14
22/c	0110010124	2-WAY MOBILE CORE ASSEMBLY
22/d	0110010065	8W 24 D.C. COIL
22/e	0110010035	3-WAY VALVE SLEEVE
22/f	0110010020	CORE WITH SPRING FOR 3-WAY VALVE
23	VIT0005510	4x16 TCEI SCREW
24	TTEF02/04T	D.2x4 PIPE
25	0100001001	NUT FOR 4-1/8 PIPE FITTING
26	0100002001	D.4 LOCKING RING
27	0100003002	COPPER GASKET
28	1600001098	SYNTHETIC RUBBER D.4.5 SPACER
29	VIT0000030	SCREW TCB M4 x 7
30	0010022119	BOILER SUPPORT
31	ELE0001522	1-WAY 16 A 250 V MICROSWITCH
32	ELE0001911	161A R 25.4 LEVER
33	4600010014	MICRO SPACER
34	VIT0000006	M 3x16 TCB SCREW
35	VIT0004701	M3 FR NUT
36/a	0110004002R	ELECTROMAGNETIC PUMP 12 bar FOR COFFEE BEANS GROUP D. 36
36/b	0110004021	230V 50 HZ PUMP FOR XS CABINET FOR COFFEE BEANS GROUP D. 40
36/c	0110004024	120V 60 HZ PUMP FOR XS CABINET FOR COFFEE BEANS GROUP D. 40
37	2500001139	VALVE RUBBER-HOLDER CONNECTION
38/a	0110004020	PUMP SUPPORT FOR COFFEE BEANS GROUP D. 36
38/b	0110004038	ELECTROMAGNET PUMP SUPPORT FOR COFFEE BEANS GROUP D. 40
39	VIT0003301	WASHER D.12 x 4.3 x 1.5
40	VIT0004503	NUT M 4
41	0100001056	TURNING ELBOW 6-1/4 VITON OR
42	0100003003	TEE UNION
43	0600016055	SPRING FOR KIT NO RETURN CHOCOLATE
44	TNAY000001	D.6*4 POLYAMIDE PIPE
45	0100001002	NUT FOR PIPE FITTING D.6
46	0100002005	STRENGTHENING BUSH D.4
47	0100002002	LOCKING RING D.6
48	0100001065	'Y' FITTING
49	0110010111	OR R 990597/N
50	0110010112	OR R 990002/S
51	0110003059	MICRO SUPPORT
52	0110003057	OR SPACER
53	GUA0000069	2015 OR
54	ELE0000915	THERMIC PROTECTION FOR COFFEE BEANS GROUP D. 40
100	0600012710R	mm 150 BOILER

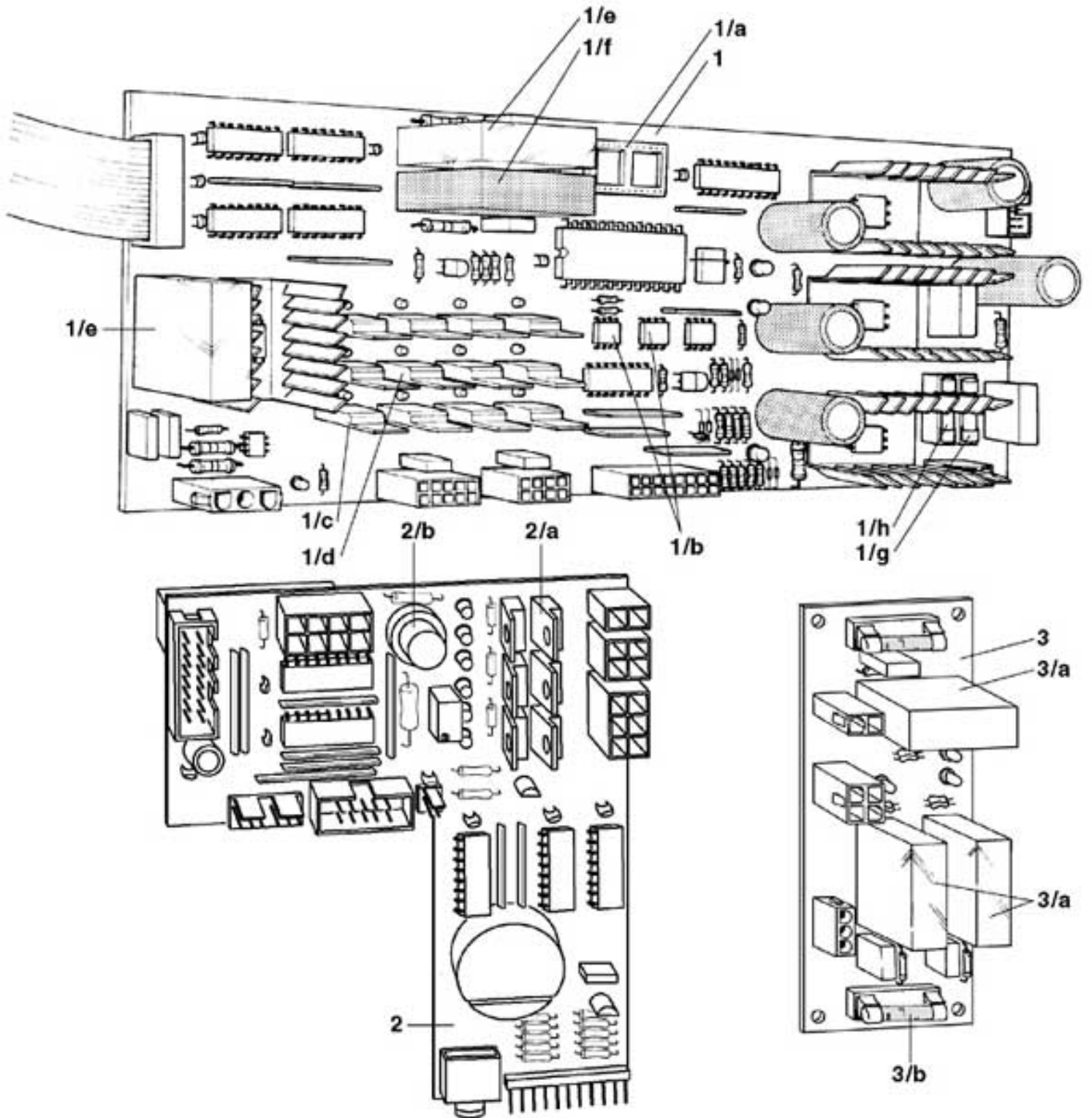
assieme



Pos.	Code	Description	
1	0600016008	BOILER TANK	
2	TSIL10/14T	TRANSPARENT SILICONE PIPE D.10 x 14	
3	650001057	BOILER DISCHARGE PLUG	
4	0600016073R	BOILER COVER PLUG	*
5/a	0600016067	1300W 230 V HEATING ELEMENT Up to serial 01429999	
5/b	0600016078	1600 W 230 V HEATING ELEMENT WITH THERMOFUSE From serial 01430001	
5/c	0600016068	1100 W 120 V HEATING ELEMENT WITH THERMOFUSE	
6	0600016038	HEATING ELEMENT GASKET	
7	VIT0003203	STAINLESS STEEL FLAT WASHER D.5.3 x 10 x 1	
8	VIT0004804	STAINLESS STEEL NUT M5	
9	ELE0003026CL	121° FUSE ASSEMBLED	
10	0600016071	TRIPLE FITTING	
11	0600016072	TRIPLE FITTING BOTTOM	
12	GUA0002008	SILICONE GASKET DE 062	
13			
14	ELE0000965	MANUAL RESET THERMOSTAT 88°C	
15	VIT0004816	STAINLESS STEEL NUT M4	
16	0600016059	PROBE SUPPORT	
17	VIT0001005	SCREW T.C.B. M 4 x 12	
18	0600016053	MIN. WATER LEVEL PROBE	
19	0600016054	MAX WATER LEVEL PROBE	
20	ELE0000963R	PRIMA SOLUBLE PROBE	
21	0090003031	MOTOR PUMP 24 V	
22	VIT0001009	STAINLESS STEEL SCREW T.C.B. M 4 x 16	
23	VIT0003454	STAINLESS STEEL EXTERNAL tab D.4	
24	0080001005	STAINLESS STEEL FLAT BUSH	
25	GUA0001006	MIXER SHAFT GASKET	
26	VIT0003211	STAINLESS STEEL FLAT WASHER D.4,3 x 9 x 0,8	
27	0110030026	PUMP WHEEL	
28	0110030025	PUMP BODY	
29			
30	0600016045	UPPER PUMP COVER WITH PIPE	
31	0600016048	LOWER PUMP COVER	
32	VIT0005527	SCREW T.C.E.I. M 4x40 INOX	
33	VIT0002461	SCREW TCCCRT 4,2 x 26	
34	0600016023	COFFEE CONNECTION	
35	TSIL06/09T	TRANSPARENT SILICONE PIPE D.6 x 9	
36	0010020032	BOILER SECURING PLATE	
37	VIT0002009	TAPPING SCREW T.C.B. 3,5 x 6,5	
38	0600016028	BOILER T	
39	TSIL07/11T	TRANSPARENT SILICONE PIPE D.7 x 11	
40	0600016030	Overflow fitting	
41	TSIL05/08T	TRANSPARENT SILICONE PIPE D.5 x 8	
42	0600016002	CLOSURE COVER CLIP	
100	0600016065R	BOILER ASSEMBLY	
101	0600016171CLR	BOILER ASSEMBLY (from pos. 1 to 33 and from pos.38 to pos.42) 230V	assieme
102	0600016073KIT	COVER BOILER KIT	

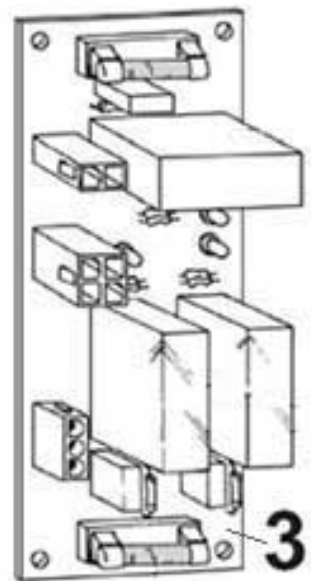
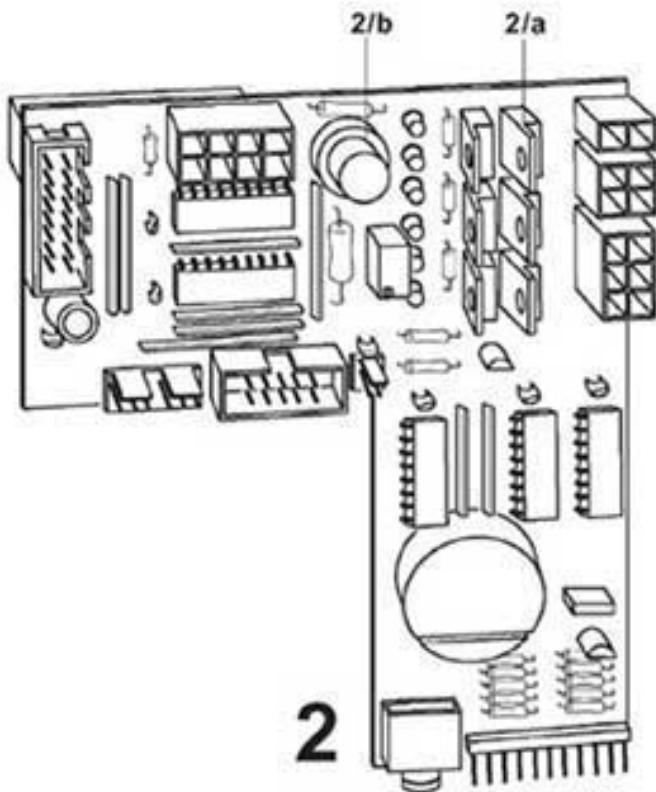
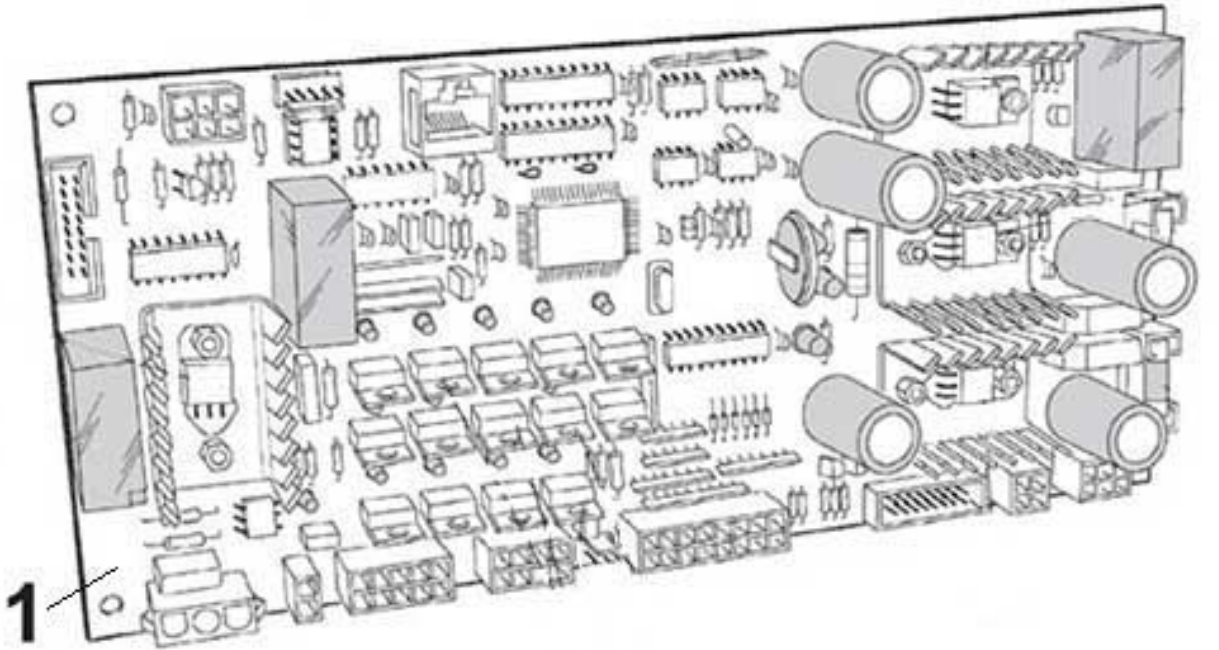


Pos.	Code	Description
1	0800009201	SOLUBLE TANK BODY It's part of kit 0800009201R
2	800000035	COVER SECURING RING
3	800000010	TANK INTERNAL WALL
4	0800009223	TANK COVER It's part of kit 0800009201R
5	GUA0000043	OR 109
6	0800009211	ELBOW WITH RAPID CONNECTION
7	600001065	FLOATER
8	800000016	STAINLESS STEEL FLOATER PIN
9	800000017	MICRO FLOATER CONTROL DISK
10	VIT0004812	M 3.5 BRASS NUT
11	800000020A	MICRO FLOATER SUPPORT
12	VIT0002014	TAPPING SCREW TCB 2.9 x 13
13	4600010014	MICRO SPACER
14	ELE0001514	3 A 250 V MICROSWITCH
15	VIT0002012	2.9x 16 TAPPING TCB SCREW
16	TSIL07/11T	TRANSPARENT SILICONE PIPE D.7 x 11
17	0010022120	VOLUME COUNTER SUPPORT
18	0110007003	VOLUME COUNTER W/RUBBERHOLDER
19	TSIL05/08T	TRANSPARENT SILICONE PIPE D.5 x 8
20	FASC000101	PIPES CLIP
21	0110001086	24 DC INLET VALE WITH SAFETY DEVICE (*)
22	TSIL06/09T	TRANSPARENT SILICONE PIPE D.6 x 9
100	0010022118CL	TANK



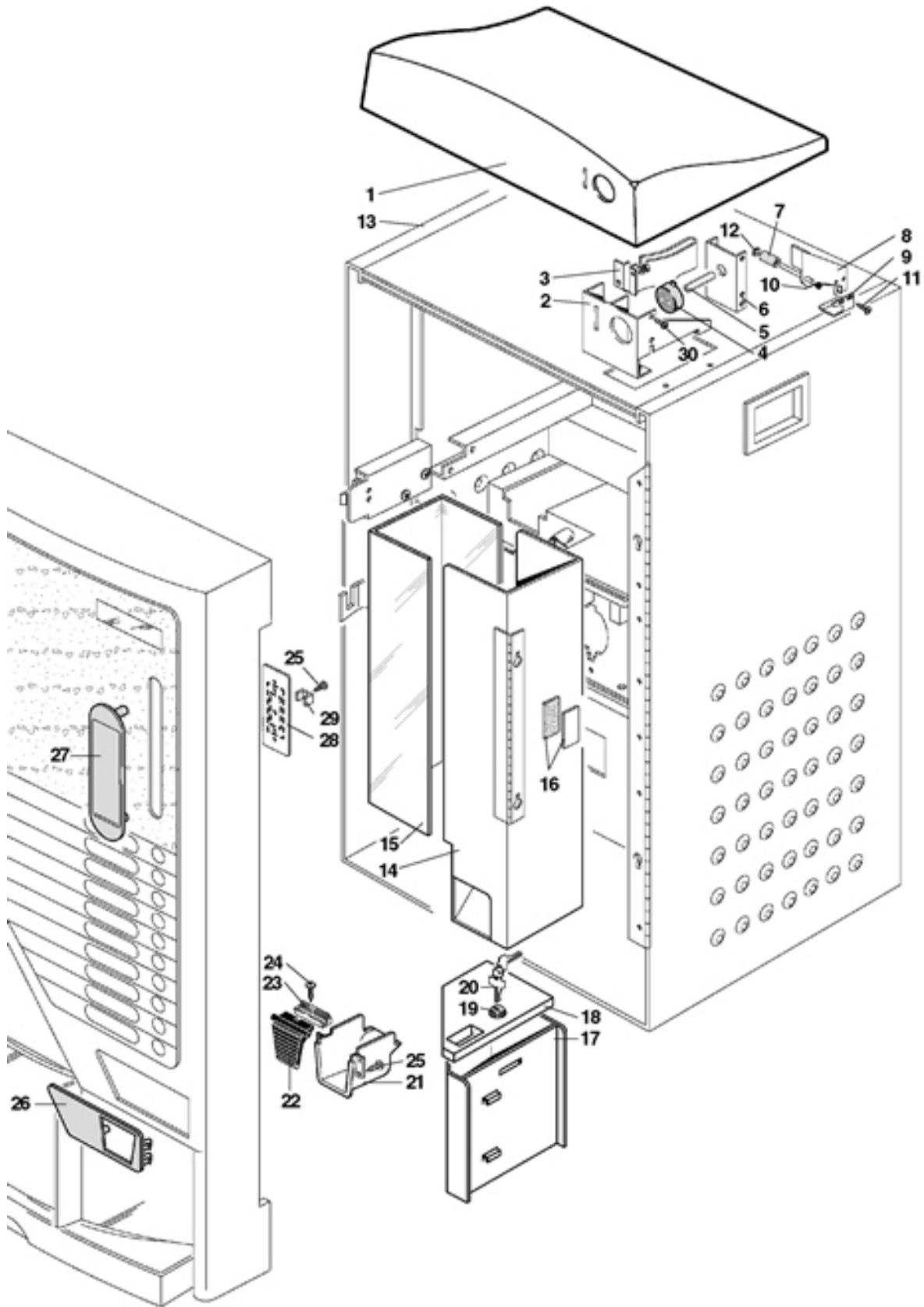
XM - CONTROL AND POWER LOGIC

Pos.	Code	Description
1	SCH0002940	PRIMA CPU BOARD AND POWER CONTROL
1/a	ELT0030059	EPROM 27C512
1/b	ELT0030064	EAROM 93C56
1/c	ELT0004020	TRANSISTOR BDW93C
1/d	ELT0004025	TRANSISTOR BTS 133
1/e	ELT0007151	1-WAY 24V D.C. 10A RELAY
1/f	ELT0007159	2-WAY 24V D.C. 10A RELAY
1/g	ELE0003028	6,3A SLOW-BLOW GLASS FUSE 5x20
1/h	ELE0003025	2A RAPID GLASS FUSE 5x20
2/a	SCH0004100	DISPLAY/ACTUATORS 'XM'
2/b	ELT0004020	TRANSISTOR BDW93C
2/c	ELT0030704	D6 ROUND KEY
3	SCH0003240	XS-E EXPANSION
3/a	ELT0007151	1-WAY 24V D.C. 10A RELAY
3/b	ELT0003028	SLOW-BLOW GLASS FUSE 5 x 20 6,3 A COD/COL

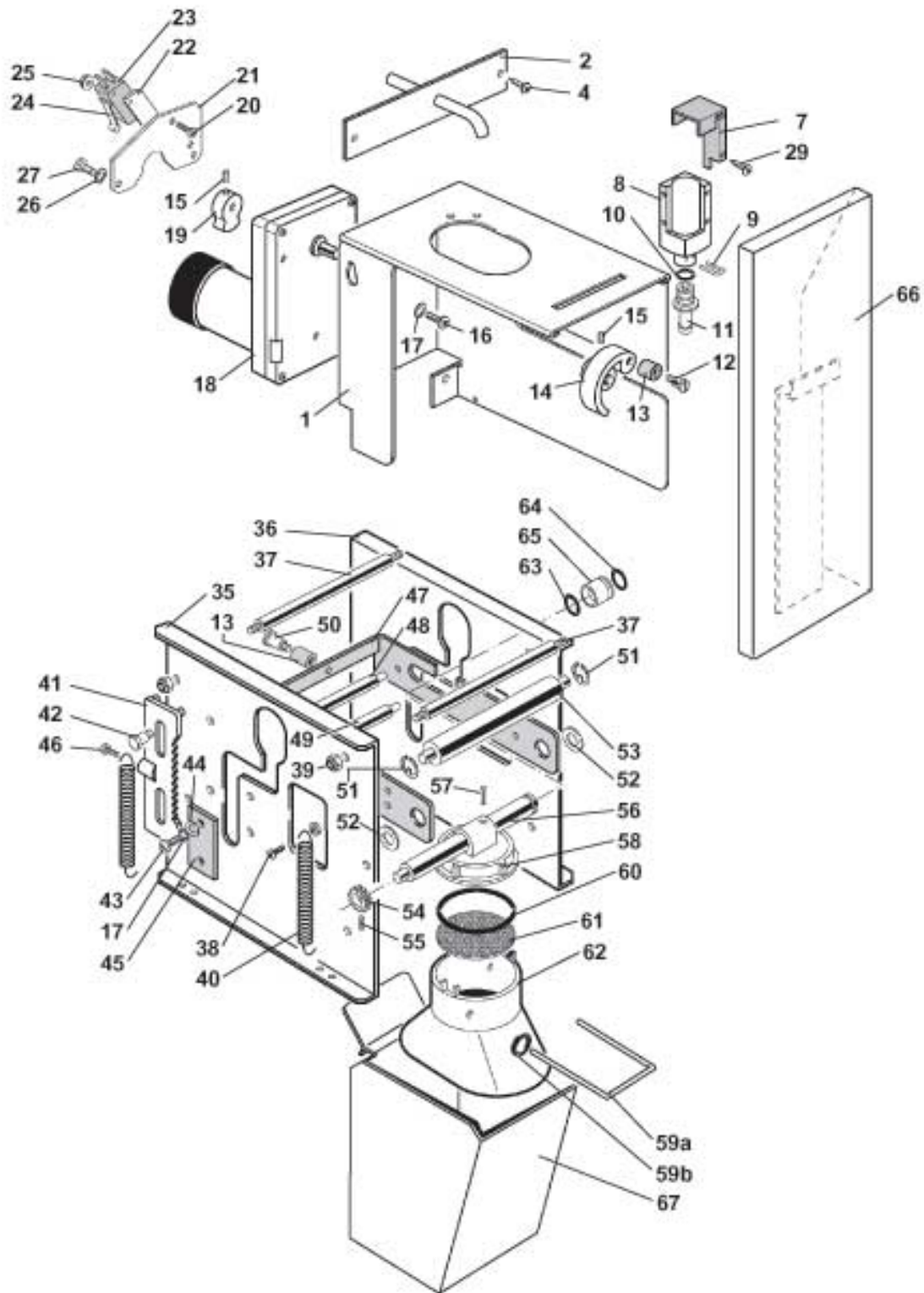


XM - NEW ELECTRONIC CONTROL AND POWER LOGIC

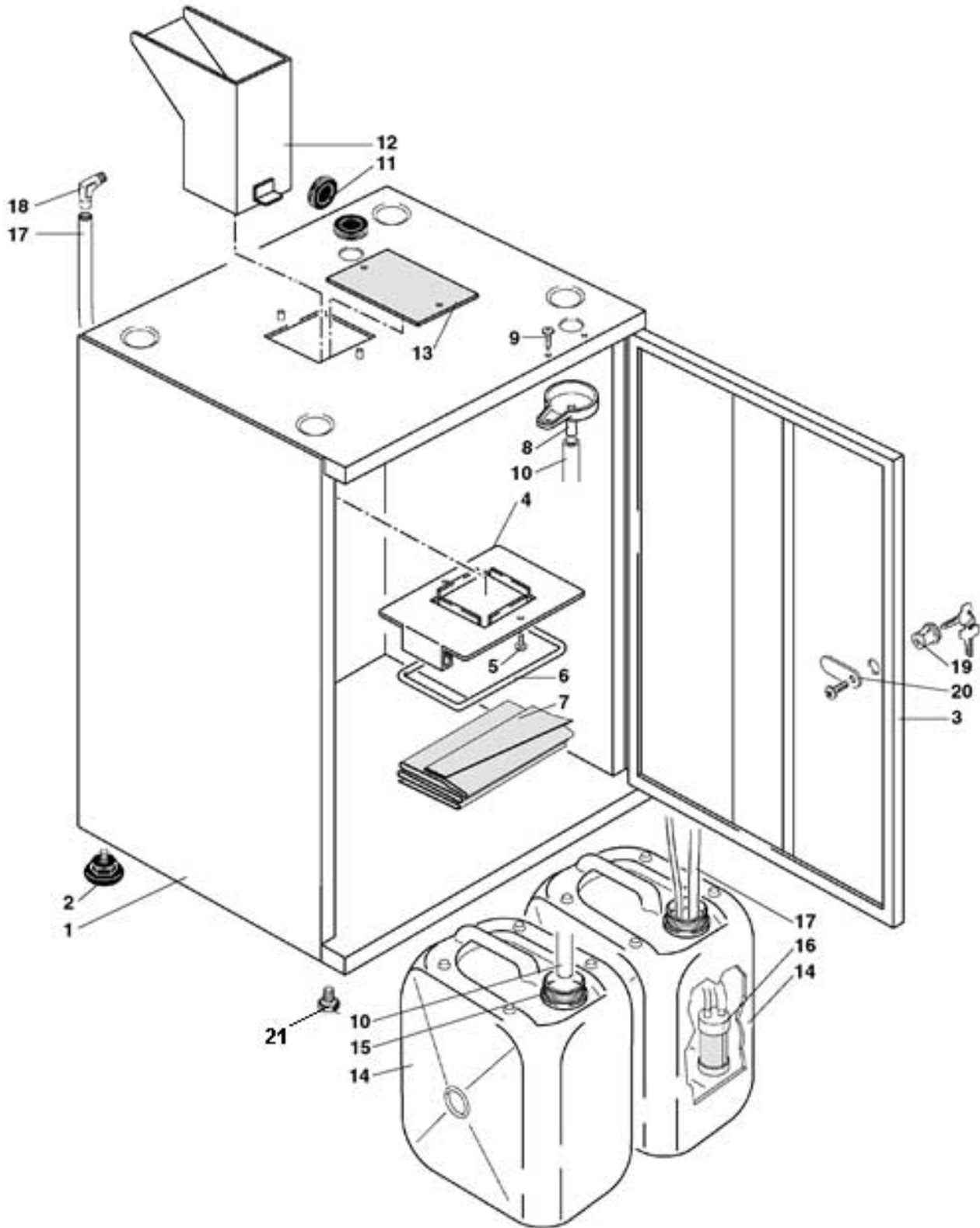
Pos.	Code	Description
1/a	SCH0007260	CPU/ POWER W/HOLDER
1/b	SCH0006120	CPU/POWER UL XM
2	SCH0004100	DISPLAY/ACTUATORS 'XM'
2/a	ELT0004020	TRANSISTOR BDW93C
2/b	ELT0030704	D6 ROUND KEY
3/a	SCH0003240	XS-E EXPANSION
3/b	SCH0005420	UL XS-E EXPANSION



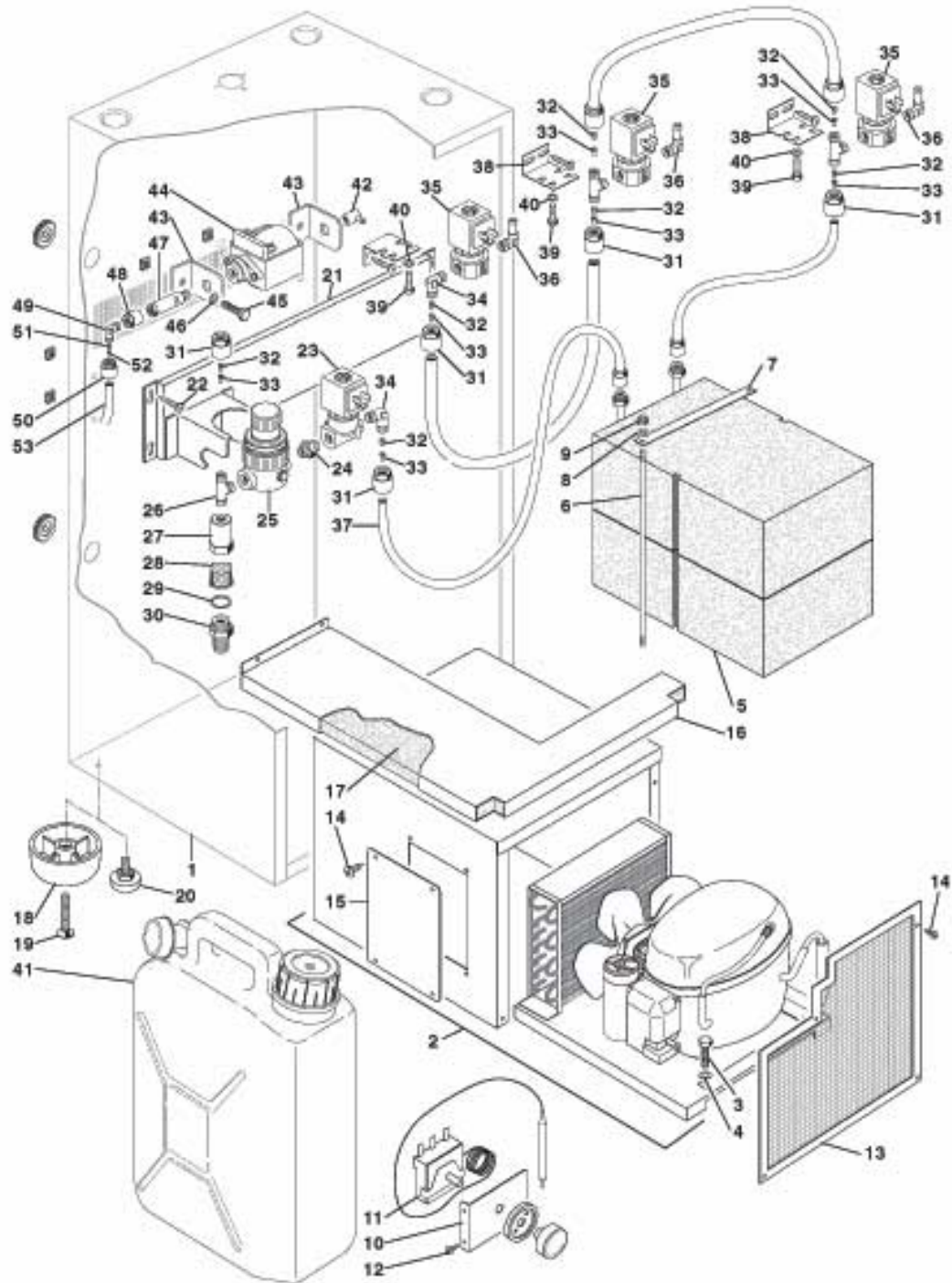
Pos.	Code	Description	
1	0030010075	COIN RETURN INLET SUPPORT	
2	0030010066	COIN RETURN SWITCH PIN	
3	0030010073	COIN INTRODUCTION CHUTE	
4	0020027026NA	COINS RETURN BLACK PUSH-BUTTON	
5	0020027027	COIN RETURN SWITCH PIN	
6	0030010070	COIN RETURN SWITCH SUPPORT	
7	0030010071	SPACER	
8	0030010067	COIN RETURN LEVER	
9	0030010072	CONTRAST SQUARE	
10	0030010081	COIN RETURN LEVER SPRING	
11	VIT0000201	SCREW T.E. M 3 x 8 INOX	
12	VIT0007102	BENZING-QUICKLOCK	
13	0030010063	COVER FORCOIN BOX	
14	0010022140	COIN BOX SUPPORT ASSEMBLY	
15	0030010056	COIN BOX PROTECTION	
16	0030010055	DUAL LOCK H-25 MM. FIXATION	
17	0030010052	COIN BOX	
18	0030010051	COIN BOX COVER	
19	SER0001005	LOCK BRACKET	
20	SER0000020	LOCK 154 BOX 5 DT mm 20 RAPID	
21	0020040231	COINS RETURN TRAY	
22	0020040214	COIN RETURN HATCH	
23	0020027052	COINS RETURN HATCH COUNTER-WIGHT	
24	VIT0002401	TAPPING SCREW TCB 3.5 x 9.5	
25	VIT0002469	SCREW TC 3.5 x 10 FOR PLASTIC	
26	0020040234	HATCH DOOR FRONT COVER	
27	0020040236	KEY TAB	
28	0020040237	LOCK PLATE	
29	4600010012	SECURING CONNECTION	
30	VIT0002002	3.5 x 6.5 TCB SCREW	
100	0030010060R	COIN BOX COVER ASSEMBLY (From pos. 1 to 13 + pos.30)	assieme



Pos.	Code	Description
1	0240002124	RIGHT TEA FRAME
2	0240002120	XM FBT WATER INLET PIPE
3		
4	VIT0002401	TAPPING SCREW TCB 3.5 x 9.5
5		
6		
7	0240002125	RIGHT FLOW INTERRUPTION COVER
8	0240002025	TEA OUTLET CONNECTION
9	0240002028	ASSEMBLY SPRING
10	GUA0000043	OR 109
11	0240002111	RUBBERHOLDE CONNECTION
12	0240001032	PIN FOR ROLL
13	0200001011	CONTROL CONNECTING ROD ROLL
14	0240002019	TEA GROUP CAM It's part of kit 0240002019R
15	VIT0007002	M 4 x 6 DOWEL
16	VIT0001005	SCREW T.C.B. M 4 x 12
17	VIT0003107	STAINLESS STEEL EXTERNAL tab D.4
18	0090002104	24V DC 10 RPM TEA GEAR MOTOR
19	0240002010	TEA MICRO CAM
20	VIT0000105	M 3x20 TSP SCREW
21	0240002013	TEA MICRO STAINLESS STEEL SUPPORT
22	4600010014	MICRO SPACER
23	ELE0001522	1-WAY 16 A 250 V MICROSWITCH
24	ELE0001906	161 E R 24.1 MICRO LEVER
25	VIT0004701	M3 FR NUT
26	VIT0003105	WASHER tab D. 6.4
27	VIT0005503	M 6x14 TCEI SCREW
28		
29	VIT0002052	2.9x 6.5 TAPPING TCB SCREW
30		
31		
32		
33		
34		
35	0240001006	L.H. FRAME
36	0240001007	R.H. FRAME
37	0240001017	FRAMES INOX SPACER
38	0240001022	SPRING HOOKING SCREW M 4x12
39	VIT0004810	M 4 SELFLOCKING NUT
40	0240001026	STAINLESS STEEL RACK SPRING
41	0240001014	RACK
42	0240001021	STAINLESS STEEL RACK SLIDING SCREW
43	VIT0001004	M 4x6 STAINLESS STEEL TCB SCREW
44	VIT0003202	STAINLESS STEEL FLAT WASHER D.4,3 x 9 x 0,8
45	0240001016	GEAR PLATE
46	VIT0002015	STAINLESS STEEL SCREW TBC 3.5 x 9.5 INOX
47	0240001008	TEA CUP CONTROL LEVER
48	0240001018	CUP STOP PIN
49	0240001025	STAINLESS STEEL LEVER STOP PIN
50	0240001032	PIN FOR ROLL
51	VIT0006511	D.7 RADIAL STOP RING
52	0240001024	NYLON LEVER SHAFT WASHER
53	0240001019	CUP CONTROL LEVER SHAFT
54	0240001015	CYLINDRICAL GEAR
55	VIT0005011	1.5x8 SPRING PIN
56	0240001013	CUP MOVEMENT SHAFT
57	VIT0005214	3 x 20 A4 CYLINDRICAL PIN
58	0240001029	FILTER SUPPORT
59/a	0240001033	CUP SECURING CONNECTION
59/b	2500003005	FLOATER RING
60	GUA0000033	3143 OR
61	0240001036	D.40 - P.0.85 - SP-0.15 FILTER
62	0240001034	TEA CUP FOR CONNECTION
63	GUA0000048	2031 OR
64	GUA0000004	104 OR
65	0240002113	TEA GROUP SHAFT EXTENSION
66	0240002119	XM TEA GROUP POSITIONING PLATE
67	0240002126	XM TEA WASTECONVEYOR
100	0240001001/13	RIGHT TEA INFUSION GROUP



Pos.	Code	Description
1		SELECT IN THE ORDER THE MODEL OF THE BASE EXPECTED (COLOR, CUPS D.,VERSION)
2	0010005016	CABINET FEET
3		SELECT IN THE ORDER THE MODEL OF THE BASE EXPECTED (COLOR, CUPS D.,VERSION)
4	0010021236	MARCS BAG RING SUPPORT
5	VIT0007008	M 4 x 10 SCREW
6	0260003011	GROUNDS BAG SUPPORT
7	IMB0000051	COFFEE GROUNDS BAG
8	0010021214	CONE
9	VIT0002455	QUICK-THREAD SCREW 3.5 x 20
10	TSIL07/11T	TRANSPARENT SILICONE PIPE D.7 x 11
11	GUA0010502	MEMBRANE CORE HITCH Ø 21
12	0010022123	COFFEE GROUP GROUNDS CHUTE
13	0010020347	GROUNDS ROOM CLOSING
14	CON0000309	25 LT. CANISTER
15	CON0000305	CANISTER PLUG
16	KIT0110004034	ELEGANT 24V-DC PUMP
17	TSIL07/11T	TRANSPARENT SILICONE PIPE D.7 x 11
18	0100003013	TGV PUMP ELBOW
19	SER0000010	BOX 5 RAPID EXTENSION LOCK
20	SER0001005	LOCK BRACKET
21	VIT0010504	D.22x7 M6x20 ADJUSTABLE FEET



XM - BASE WITH FP REFRIGERATING GROUP

Pos.	Code	Description
1		SELECT IN THE ORDER THE MODEL OF THE BASE EXPECTED (COLOR, CUPS D.,VERSION)
2	0550050014CL	
3	VIT0001109	
4	VIT0003303	WASHER D.6,5 x 18 x 1,5
5	0550006015	POLYSTYRENE HALF-SHELL
6	0550006005	TANK SECURING TIE-BOLT
7	0550006006	TANK SECURING PLATE
8	VIT0003104	WASHER tab D. 5.1
9	VIT0004504	M 4 NUT
10	0010020382	
11	ELE0000919	REMOTE THERMOSTAT
12	VIT0002401	TAPPING SCREW TCB 3.5 x 9.5
13	0010020381	
14	VIT0002009	TAPPING SCREW T.C.B. 3.5 x 6,5
15	0550060010	
16	0010022211	XM PARTITION COVER
17	0010022212	XM ISOLATION PANEL
18	0010019967	FEET D. 60X25
19	VIT0000123	
20	VIT0010501	SETTING PLATT ES.M 8 x 22 D.30 BLACK
21	0010020383	WATER COMPONENTS SUPPORT
22	VIT0000211	
23	0110001064	24 DC 1/8 VALVE WITHOUT/SETTING
23/a	0110010009	OR FOR 2-WAY VALVE
24	0100001014	STRAIGHT CONNECTION SO110-8-1/
25	0110003007	WATER MICROREGULATOR 1/4 0-8 bar
26	0100001036	
27	0170005007	FILTER SUPPORT
28	0110020007	D.20 PLASTIC FILTER
29	GUA0003201	D.26x22x1.5 COPPER GASKET
30	0170005006	FILTER-HOLDER CONNECTION
31	0100001003	NUT FOR PIPE FITTING D.6-1/4
32	0100002005	STRENGTHENING BUSH D.4
33	0100002002	LOCKING RING D.6
34	0100001019	L FITTING D.6-1/8M CON.
35	0110001076	24 DC 1/8 2-WAY VALVE WITH SETTING
36	250020146	ELBOW CONNECTION
37	TPAD04/06T	D.6x4 PIPE FOR FOODSTUFFS
38	0810010211	VALVE SUPPORT BRACKET
39	VIT0000204	M 4X8 TSP SCREW
40	VIT0003301	WASHER D.12 x 4.3 x 1.5
41	CON0000301	
42	0110004023	PIPETTE
43	0110004022	BRACKET SUPPORT
44	0110004021	230V 50 HZ PUMP FOR XS CABINET
45	VIT0000014	M 4x16 TCB SCREW
46	VIT0003301	WASHER D.12 x 4.3 x 1.5
47	0100001014	STRAIGHT CONNECTION SO110-8-1/
48	0100001004	NUT FOR D.8-1/4 PIPE FITTING
49	0100001022	L FITTING 6-3/8M CON.
50	0100001005	NUT FOR D.8-3/8 PIPE FITTING
51	0100002006	STRENGTHENING BUSH SO3-8-6
52	0100002003	LOCKING RING D.8
53	TNAY000002	