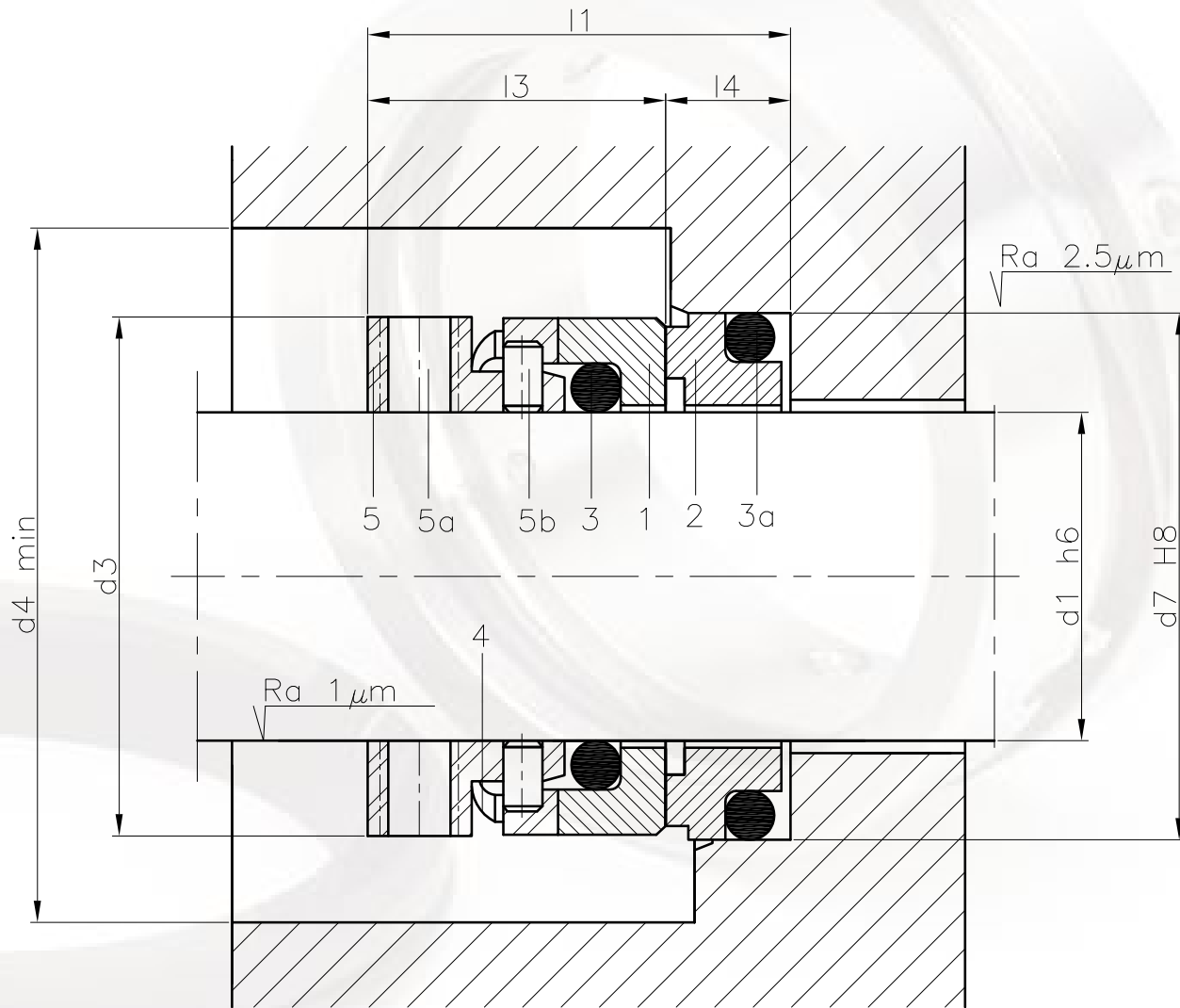




LIDE RING

GARNITURES MÉCANIQUES 270



Garnitures Mécaniques 270

Garniture mécanique avec
ressort ondulé, non équilibrée,
sens de rotation indépendant.



TABLEAU DIMENSIONNEL (Dimensions en mm. sujettes à variations ou modifications)

| Ref. | d ₁ | d ₃ | d ₄ | d ₇ | l ₁ | l ₃ | l ₄ |
|-------|----------------|----------------|----------------|----------------|----------------|----------------|----------------|
| 15.8 | 15.8 | 27.0 | 30.0 | 28.5 | 25.4 | 19.1 | 6.3 |
| 16.0 | 16.0 | 27.0 | 30.0 | 28.5 | 25.4 | 19.1 | 6.3 |
| 19.1 | 19.1 | 30.0 | 33.0 | 31.7 | 25.4 | 19.1 | 6.3 |
| 24.0 | 24.0 | 34.1 | 37.1 | 35.4 | 26.7 | 19.1 | 7.6 |
| 28.0 | 28.0 | 40.0 | 43.0 | 42.0 | 26.7 | 19.1 | 7.6 |
| 28.6 | 28.6 | 39.5 | 42.5 | 41.2 | 26.7 | 19.1 | 7.6 |
| 30.0 | 30.0 | 41.0 | 44.0 | 42.7 | 26.7 | 19.1 | 7.6 |
| 31.7 | 31.7 | 42.4 | 45.4 | 44.2 | 26.7 | 19.1 | 7.6 |
| 32.0 | 32.0 | 42.4 | 45.4 | 44.4 | 26.7 | 19.1 | 7.6 |
| 35.0 | 35.0 | 45.5 | 48.5 | 47.6 | 26.7 | 19.1 | 7.6 |
| 38.0 | 38.0 | 51.8 | 54.8 | 53.9 | 29.2 | 21.1 | 8.1 |
| 44.4 | 44.4 | 58.2 | 61.2 | 60.3 | 29.2 | 21.1 | 8.1 |
| 47.6 | 47.6 | 61.4 | 64.4 | 63.5 | 29.2 | 21.1 | 8.1 |
| 50.0 | 50.0 | 61.9 | 64.9 | 63.9 | 29.2 | 21.1 | 8.1 |
| 50.8 | 50.8 | 64.6 | 67.6 | 66.6 | 31.7 | 22.1 | 9.6 |
| 53.9 | 53.9 | 71.0 | 74.0 | 73.0 | 31.7 | 22.1 | 9.6 |
| 54.0 | 54.0 | 71.0 | 74.0 | 73.9 | 31.7 | 22.1 | 9.6 |
| 54.6 | 54.6 | 72.0 | 75.0 | 75.0 | 31.7 | 22.1 | 9.6 |
| 55.0 | 55.0 | 72.0 | 75.0 | 75.0 | 31.7 | 22.1 | 9.6 |
| 63.0 | 63.0 | 79.3 | 82.3 | 83.0 | 34.9 | 25.8 | 9.1 |
| 63.5 | 63.5 | 79.3 | 82.3 | 88.9 | 34.9 | 25.8 | 9.1 |
| 69.8 | 69.8 | 88.9 | 91.9 | 95.2 | 34.9 | 25.8 | 9.1 |
| 73.0 | 73.0 | 94.0 | 97.0 | 98.4 | 34.9 | 25.8 | 9.1 |
| 75.0 | 75.0 | 96.0 | 99.0 | 100.4 | 34.9 | 25.8 | 9.1 |
| 76.2 | 76.2 | 96.9 | 99.9 | 101.6 | 34.9 | 25.8 | 9.1 |
| 80.0 | 80.0 | 101.0 | 104.0 | 104.0 | 34.9 | 25.8 | 9.1 |
| 95.0 | 95.0 | 116.0 | 119.0 | 125.0 | 34.9 | 25.8 | 9.1 |
| 100.0 | 100.0 | 121.0 | 124.0 | 130.0 | 34.9 | 25.8 | 9.1 |

LIMITES D'UTILISATION

d₁ = 15.8 ÷ 100 mm

p = 10 Kg/cm²

v = 15 m/s

t = -15 ÷ +200°C

Les limites d'utilisation ci-dessus peuvent varier en fonction du facteur PV

CONSTRUCTION

1 Grain mobile

2 Grain stationnaire

3 Joint torique

3a Joint torique

4 Ressort

5 Corps

5a Vis d'attache

5b Anneau

MATERIAUX

GBPGG

GBVGG

GBEGG

QQPGG

QQVGG

QQEGG

QBPGG

QBVGG

QBEGG

Il existe d'autres combinaisons de matériaux

LIDERING

LIDERING, S.A.

Pg. Ferrocarrils Catalans, 106-108 · 08940 Cornellà de Llobregat BARCELONA

Service Ventes Nationales: 902 480 440

Service Ventes Internationales: +34 93 480 44 22

Fax 93 480 44 04



Pollensa, 2, Ofic. 8. Edif. Artemisa - Tartessos

28290 Las Rozas MADRID

Tel. 902 480 440 · Fax 91 361 40 20

LIDERING S.A.R.L.

Parc des Aqueducs · Chemin du Favier RD 42 · 69230 Saint-Genis-Laval FRANCE

Tél. 04 72 67 02 67 - Fax 04 78 56 04 08

S.A. LIDERING N.V.

BP 10 · 1410 Waterloo BELGIQUE-BELGIË

Tél. 00 34 93 480 44 22 - Fax 00 34 93 480 44 04

<http://www.lidering.com>

email: info@lidering.com