

## ALIMENTATOARE TRIFAZICE

### ALIMENTATOARE TRIFAZICE seria AT

Alimentatoarele trifazate seria **AT** reprezinta solutia optima pentru a garanta o fiabilitate absoluta in transportul granulelor de material plastic, chiar si la distante considerabile. Unitatile sunt echipate cu pompe de vid trifazice cu canale laterale si un design care nu necesita intretinere.

Puterile disponibile sunt de la 0,74 kW la 11 kW.

Caracteristici principale:

- Ciclon receptor din otel inoxidabil
- Flansa de fixare orientabila la 360°
- Ciclon cu usa laterala pentru inspectie cu filtru de protectie (optional)
- Clapeta de descarcare material autoetansata, fara garnitura
- Capac rabatabil etansat, cu doua puncte de inchidere
- Filtru cu sac din tesatura de poliester antistatic
- Sistem automat de curatare a filtrului cu jet de aer



Grupul pompa de vid este compus din:

- Centrala de comanda pe suport la sol cu configuratie ergonomica
- Pompe de vid trifazice cu canale laterale care nu necesita intretinere
- 400V/3+N/50Hz
- Nivel de zgomot in limitele normelor CE
- Proiectate si executate conform normelor CE
- Alarma acustica
- Panou electronic de ultima generatie, cu urmatoarele caracteristici:
  - Panou unic pentru toate variantele - monofazic, trifazic si instalatie centralizata
  - Control functionare supapa proportionala
  - Controlul timp de incarcare
  - Controlul timp de pauza
  - Alarma vizuala pentru lipsa material



**Grupuri pompa de vid**

CARACTERISTICI TEHNICE		AT00 AT00-FT	AT01 AT01-FT	AT02 AT02-FT	AT03 AT03-FT AT03-FMT	AT04 AT04-FT AT04-FMT	AT05 AT05-FMT AT05-FSR	AT07-FSR	AT11-FSR
Putere motor	W	850	1500	2200	3000	4000	5500	7500	11000
Filtru		- FT	- FT	- FT	- FT FMT	- FT FMT	- FMT FSR	FSR	FSR
Debit aer max	m <sup>3</sup> h	140	210	300	330	320	320	520	520
Presiune statica	kPa	16	20	21	27	36	45	40	44
Conducta vid	ømm	40	40	40	50	50-60	50-60	60-70	60-70
Cicloane adaptate	dm <sup>3</sup>	3-10	5-20	5-30	20-30	20-30	20-60	30-100	30-100

**Ciclon receptor material**

CARACTERISTICI TEHNICE		RV02	R03 R03G	R04 R04G	R05 R05G	R10 R10G	R20 R20G	R30 R30G
Volum ciclon	dm <sup>3</sup>	2 sticla	3	4	5	10	20	30
Filtru		Hartie	Tesatura Sita	Tesatura Sita	Tesatura Sita	Tesatura Sita	Tesatura Sita	Tesatura Sita
Curatare filtru cu jet de aer		-	√ -	√ -	√ -	√ -	√ -	√ -
Conducta material	ømm	40	40	40	40	40	40-50	50
Conducta vid	ømm	40	40	40	40	40	40-50	50
Descarcare	ømm	40	50	50	80	80	80	80

CARACTERISTICI TEHNICE		R40G	R60G	R100G
Volum ciclon	dm <sup>3</sup>	40	60	100
Filtru		Sita	Sita	Sita
Curatare filtru cu jet de aer		-	-	-
Conducta material	ømm	60-70	60-70	60-70
Conducta vid	ømm	60-70	60-70	60-70
Descarcare	ømm	130	130	130



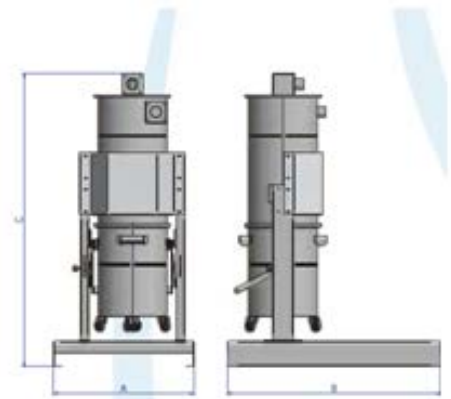
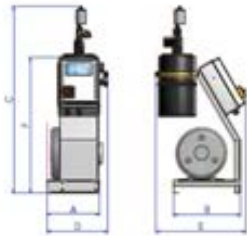
Filtru tesatura



Filtru sita

Grupuri pompa de vid

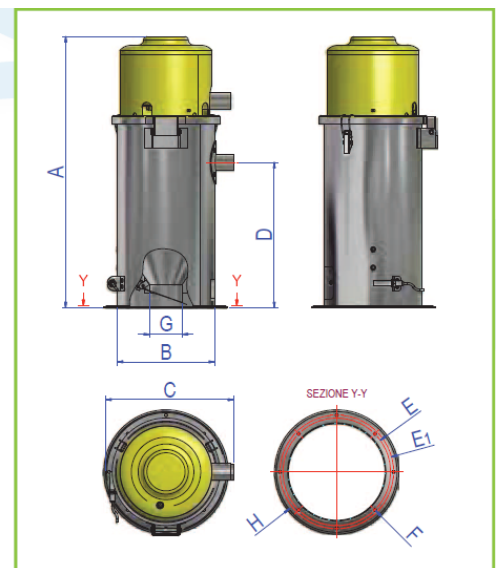
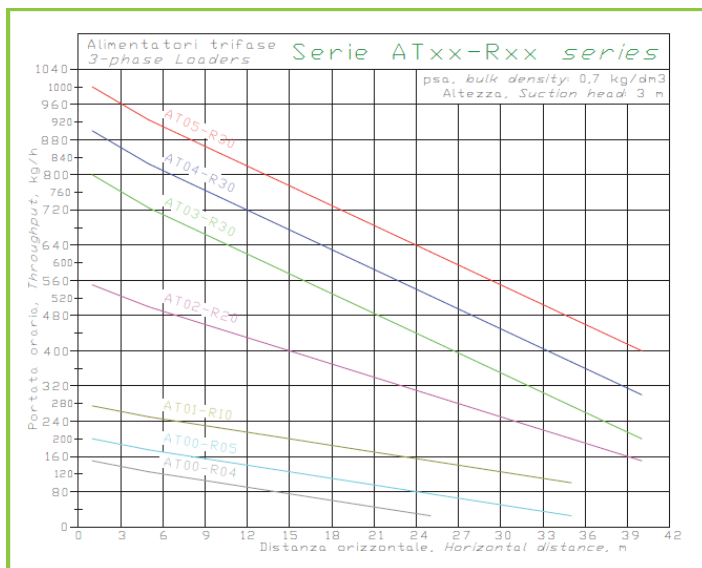
Vacuum Blowers



AT00/03-FT		
A	mm	296
B	mm	381
C	mm	1061
D	mm	345
E	mm	512
F	mm	770

AT03/05-FMT		
A	mm	604
B	mm	714
C	mm	2000
D	mm	404
E	mm	1454

AT05/11-FSR		
A	mm	755
B	mm	1150
C	mm	1579



Cicloane receptor material

DIMENSIUNI		RV02	R03	R04	R05	R10	R20	R30	R40	R60	R100
A	mm	520	405	495	550	670	845	988	879	1183	1449
B (ø)	mm	150	159	159	240	240	240	370	365	365	365
C	mm	200	226	226	315	315	315	392	503	503	503
D	mm	-	182	246	238	358	535	678	681	985	1251
E (ø)	mm	-	182	182	265	265	265	265	416	416	416
E1 (ø)	mm	-	-	-	280	280	280	280	-	-	-
F (ø)	mm	-	7	7	8	8	8	8	8	8	8
G (ø)	mm	40	80	80	80	80	80	80	130	130	130
H	mm	-	200	200	297	297	297	-	-	-	-

**Date tehnice**

<b>ALIMENTATOARE TRIFAZICE seria AT</b> <b>400V/3+N/50Hz</b>					
<b>MODEL</b>	<b>PUTERE MOTOR</b>	<b>CAPACITATE CICLON</b>	<b>CAPACITATE ORARA</b>	<b>FILTRU</b>	<b>TUB FLEXIBIL L=5+5m (aer+material) SONDA ALUMINIU L=700 mm</b>
AT00-RV02-FT	850W	2 dm <sup>3</sup> -sticla	max.50 kg/h	FT	D=40mm
AT00-R03	850W	3 dm <sup>3</sup>	max.110 kg/h	Tesatura	D=40mm
AT00-R03G-FT	850W	3 dm <sup>3</sup>	max.110 kg/h	FT	D=40mm
AT00-R04	850W	4 dm <sup>3</sup>	max.140 kg/h	Tesatura	D=40mm
AT00-R04G-FT	850W	4 dm <sup>3</sup>	max.140 kg/h	FT	D=40mm
AT00-R05	850W	5 dm <sup>3</sup>	max.200 kg/h	Tesatura	D=40mm
AT00-R05G-FT	850W	5 dm <sup>3</sup>	max.200 kg/h	FT	D=40mm
AT00-R10	850W	10 dm <sup>3</sup>	max.230 kg/h	Tesatura	D=40mm
AT00-R10G-FT	850W	10 dm <sup>3</sup>	max.230 kg/h	FT	D=40mm
AT01-R05	1500W	5 dm <sup>3</sup>	max.250 kg/h	Tesatura	D=40mm
AT01-R05G-FT	1500W	5 dm <sup>3</sup>	max.250 kg/h	FT	D=40mm
AT01-R10	1500W	10 dm <sup>3</sup>	max.280 kg/h	Tesatura	D=40mm
AT01-R10G-FT	1500W	10 dm <sup>3</sup>	max.280 kg/h	FT	D=40mm
AT02-R10	2200W	10 dm <sup>3</sup>	max.300 kg/h	Tesatura	D=40mm
AT02-R10G-FT	2200W	10 dm <sup>3</sup>	max.300 kg/h	FT	D=40mm
AT02-R20	2200W	20 dm <sup>3</sup>	max.550 kg/h	Tesatura	D=50mm
AT02-R20G-FT	2200W	20 dm <sup>3</sup>	max.550 kg/h	FT	D=50mm
AT02-R30	2200W	30 dm <sup>3</sup>	max.600 kg/h	Tesatura	D=50mm
AT02-R30G-FT	2200W	30 dm <sup>3</sup>	max.600 kg/h	FT	D=50mm
AT03-R20	3000W	20 dm <sup>3</sup>	max.650 kg/h	Tesatura	D=50mm
AT03-R20G-FT	3000W	20 dm <sup>3</sup>	max.650 kg/h	FT	D=50mm
AT03-R20G-FMT	3000W	20 dm <sup>3</sup>	max.650 kg/h	FMT	D=60mm
AT03-R30	3000W	30 dm <sup>3</sup>	max.800 kg/h	Tesatura	D=60mm
AT03-R30G-FT	3000W	30 dm <sup>3</sup>	max.800 kg/h	FT	D=50mm
AT03-R30G-FMT	3000W	30 dm <sup>3</sup>	max.800 kg/h	FMT	D=50mm
AT04-R30	4000W	30 dm <sup>3</sup>	max.900 kg/h	Tesatura	D=50mm
T04-R30G-FMT	4000W	30 dm <sup>3</sup>	max.900 kg/h	FMT	D=50mm
AT04-R40G-FMT	4000W	40 dm <sup>3</sup>	max.1000kg/h	FMT	D=60mm
AT04-R60G-FMT	4000W	60 dm <sup>3</sup>	max.1200kg/h	FMT	D=60mm
AT05-R30	5500W	30 dm <sup>3</sup>	max.1000kg/h	Tesatura	D=50mm
AT05-R30G-FMT	5500W	30 dm <sup>3</sup>	max.1000kg/h	FMT	D=50mm
AT05-R40G-FMT	5500W	40 dm <sup>3</sup>	max.1400kg/h	FMT	D=60mm
AT05-R60G-FMT	5500W	60 dm <sup>3</sup>	max.1600kg/h	FMT	D=60mm
AT07-R60G-FSR	7500W	60 dm <sup>3</sup>	max.2000kg/h	FSR	D=60mm
AT07-R100G-FSR	7500W	100 dm <sup>3</sup>	max.2200kg/h	FSR	D=70mm
AT11-R60G-FSR	11000W	60 dm <sup>3</sup>	max.2500kg/h	FSR	D=60mm
AT11-R100G-FSR	11000W	100 dm <sup>3</sup>	max.2700kg/h	FSR	D=70mm



AT00-RV02-FT



AT00-R04



AT00-R05



AT00-R05G-FT



AT00-R10



AT03-R20



AT03-R20G-FT



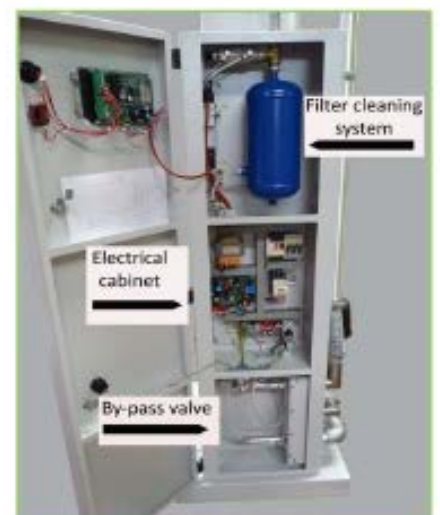
AT03-R30



AT05-R30



AT05-R30G-FMT



FMT - interno/inside



AT05-R60G-FMT



AT11-R60G-FSR