



OVOCONCEPT
AROUND THE EGG

WASHING & DISINFECTING SOLUTIONS FOR EGG TRANSPORTATION SYSTEM

Batch tray washers

Ovobatch LA400:
Up to 400 trays/hour



Ovobatch LA1500:
Up to 1500 trays/hour



Ovobatch LA3000:
Up to 3000 trays/hour



Advantages:

- Plug and play machine
- Low electrical and water consumption
- Small footprint
- Adjustable time cycling
- Automatic dosing of detergent
- Suitable for all kind of plastic trays
- High speed centrifuge for drying
- Recycling water



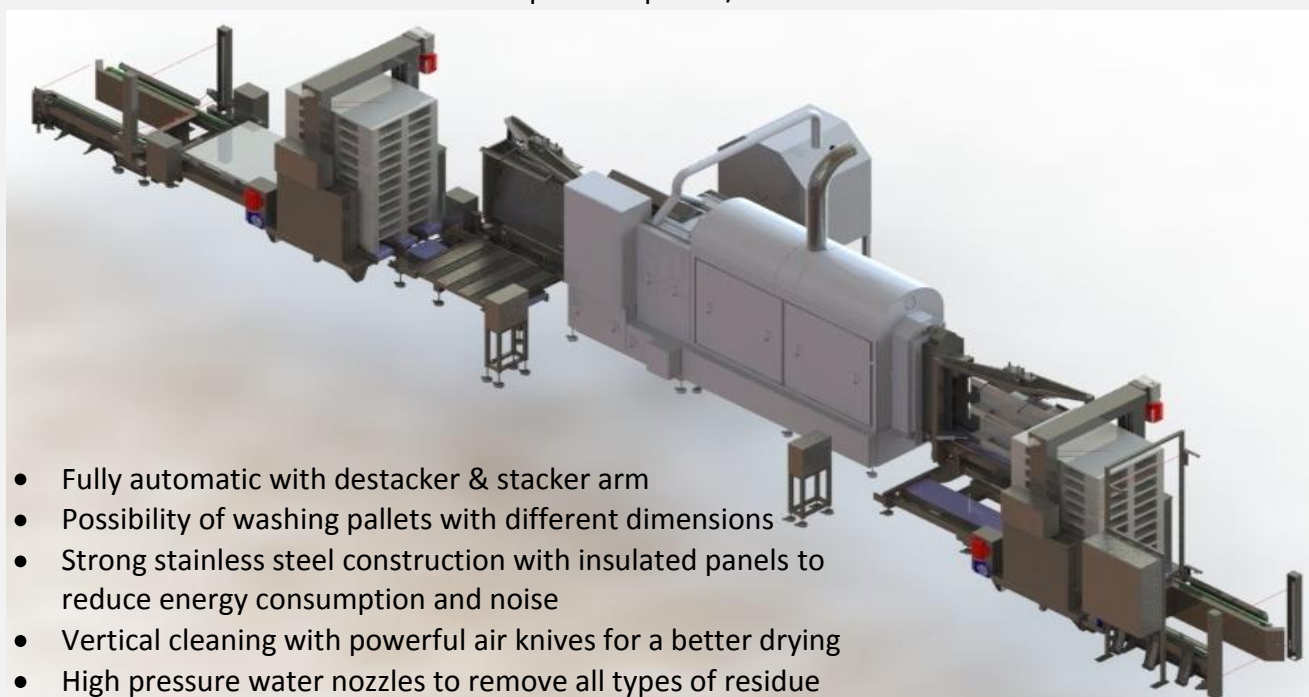
OVOCONCEPT
AROUND THE EGG

Pallets & dividers washers

Ovobatch LPI50:
Up to 50 pieces/hour



Ovotunnel LPI150 :
Up to 150 pieces/hour



- Fully automatic with destacker & stacker arm
- Possibility of washing pallets with different dimensions
- Strong stainless steel construction with insulated panels to reduce energy consumption and noise
- Vertical cleaning with powerful air knives for a better drying
- High pressure water nozzles to remove all types of residue