



Ledinaire floodlight maxi

BVP106 LED200/740 PSU VWB100

LED module, system flux 20000 lm - 740 neutral white - Power supply unit - Beam category A1 - 422 mm

The Ledinaire range contains a selection of popular off-the-shelf LED luminaires that comes with the Philips high quality levels at a competitive price. Reliable, energy-efficient and affordable – just what you need.

Product data

General Information	
Number of light sources	-
Lamp family code	LED200S [LED module, system flux 20000 lm]
Light source color	740 neutral white
Light source replaceable	No
Number of gear units	1 unit
Driver/power unit/transformer	Power supply unit
Driver included	Yes
Optical cover/lens type	Tempered glass
Luminaire light beam spread	100° x 100°
Connection	Flying leads/wires
Cable	Cable 0.5 m with cable connector 3-pole
Protection class IEC	Safety class I
Flammability mark	For mounting on easily flammable surfaces
CE mark	CE mark
ENEC mark	-
Warranty period	3 years
Optic type outdoor	Beam category A1
Constant light output	No

Number of products on MCB of 16 A type B	7
RoHS mark	RoHS mark
Light source engine type	LED

Light Technical	
Upward light output ratio	0
Standard tilt angle posttop	-
Standard tilt angle side entry	-

Operating and Electrical	
Input Voltage	220 to 240 V
Input Frequency	50 to 60 Hz
Inrush current	43 A
Inrush time	0.44 ms
Power Factor (Min)	0.9

Controls and Dimming	
Dimmable	No

Ledinaire floodlight maxi

Mechanical and Housing

Housing Material	Aluminum die-cast
Reflector material	Aluminum
Optic material	Glass
Optical cover/lens material	Tempered glass
Fixation material	Steel
Mounting device	Mounting bracket adjustable
Optical cover/lens shape	Flat
Optical cover/lens finish	Clear
Overall length	445 mm
Overall width	346 mm
Overall height	108 mm
Effective projected area	0.139 m ²
Width	422 mm

Approval and Application

Ingress protection code	IP65 [Dust penetration-protected, jet-proof]
Mech. impact protection code	IK08 [5 J vandal-protected]
Surge Protection (Common/Differential)	Luminaire surge protection level until 4 kV differential mode and 4 kV common mode

Initial Performance (IEC Compliant)

Initial luminous flux (system flux)	20000 lm
Luminous flux tolerance	+/-10%
Initial LED luminaire efficacy	100 lm/W
Init. Corr. Color Temperature	4000 K
Init. Color Rendering Index	78

Initial chromaticity	(0.375, 0.379) SDCM<5
Initial input power	200 W
Power consumption tolerance	+/-10%

Over Time Performance (IEC Compliant)

Control gear failure rate at median useful life 35000 h	7.5 %
Lumen maintenance at median useful life* 50000 h	L70

Application Conditions

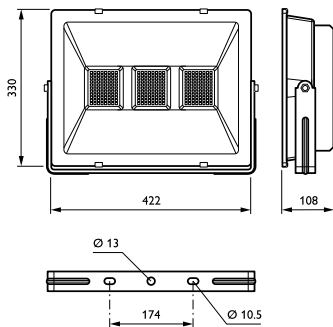
Ambient temperature range	-25 to +40 °C
Performance ambient temperature Tq	25 °C
Maximum dim level	Not applicable

Product Data

Full product code	871869938408100
Order product name	BVP106 LED200/740 PSU VWB100
EAN/UPC - Product	8718699384081
Order code	912401483115
Numerator - Quantity Per Pack	1
Numerator - Packs per outer box	1
Material Nr. (12NC)	912401483115
Net Weight (Piece)	6.850 kg



Dimensional drawing



Ledinaire floodlight BVP105/106

Ledinaire floodlight maxi

