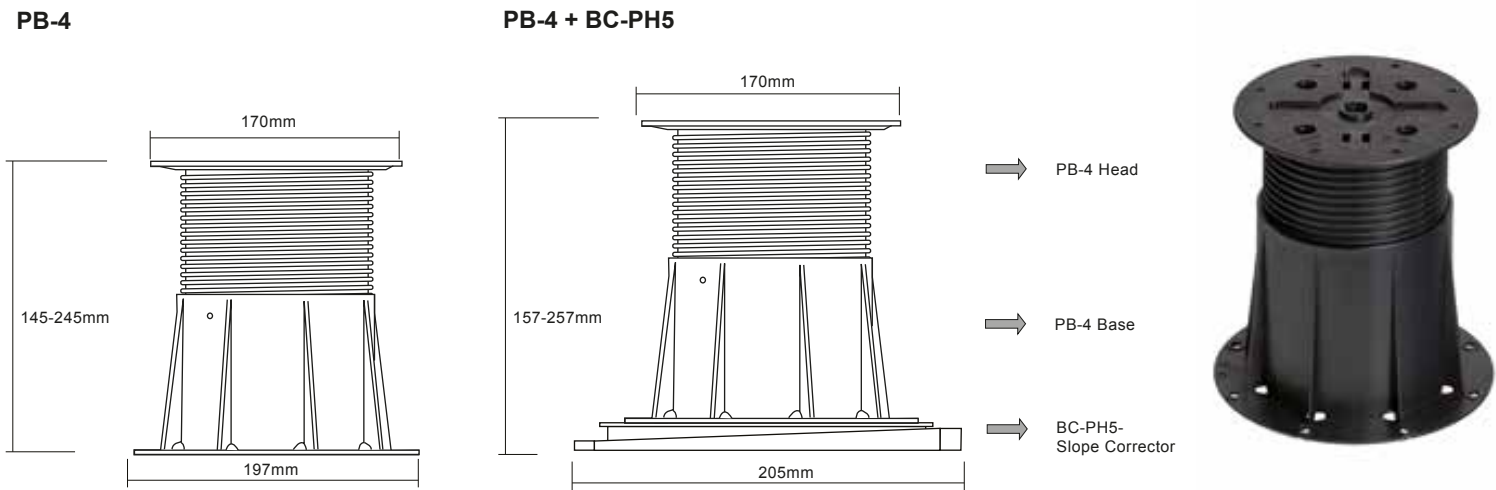


PB-4 - adjustable from 145 to 245mm



Adjustable height

Adjustable height from 145 to 245mm uninterrupted.
With addition of a 0 to 5% BC-PH5 slope corrector, adjustable from 157 to 257mm.

Composition

The PB-4 is composed by 2 pieces (head + base).

Material

Copolymer polypropylene (CPP), material thickness 3 to 4.5mm
Composition: 80% recycled PPC, 20% talc + UV black masterbatch and 100% recyclable.

Dimensions of the PB-4 pedestal

Head = diameter 170mm – Installation surface 227cm²
Base = diameter 197mm – Ground surface 305cm²

Performances

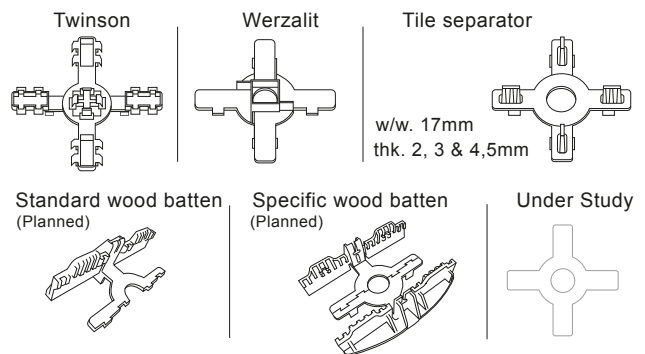
Resisting UV light, weather, sea salt and almost all chemicals
Temperature range: -30° to + 90°

Applications

Support for outdoor terraces with any kind of materials: timber decking, stone, ceramic, composite materials, metal, fiberglass grid... Can be placed on any stable substrate, also over insulation panels.

Accessories

Different BUZON accessories can be clipped to the head of pedestal PB-4 according to the materials used by manufacturers of terraces, podiums and temporary exhibitions (pedestals, gratings, tiles, etc.) and other parts for specific applications demanded by manufacturers.



Compression test (1daN = 1Kg/f = 2,23lbf)

Performed on the full (1/1), half (1/2) or quarter (1/4) surface of the head.

Position	Height(mm)	Breaking Load(daN)	Breaking Load(lbf)
1/1	245	1509	3365
1/2	245	1133	2527
1/4	245	573	1279

Slope corrector BC-PH-5 from 0 to 5%

Slope corrector BC-PH5 is placed under the base of pedestal PB-4. Consisting of 2 cylindrical parts, it allows to compensate for 1 to 5% slopes by simply rotating the devices.

Thickness of BC-PH-5 = + 12 mm to be added to the adjustable height of pedestal PB-4.



Safety recommendation for use of Buzon Pedestals System :

1. Areas reserved for **pedestrian access** : divide the load indicated in the table by 2 with an addition safety factor of -15%.
2. Areas reserved for **industrial and technical applications** : divide the load indicated in the table by 4 with an addition safety factor of -15%.
3. The BUZON Pedestals System is **not designed to support or be subjected to vibrating** and/or moving machinery & equipment, including maintenance & cleaning vehicles, automobile & other vehicles, etc...



Buzon Pedestal International s.a./ n.v.

Z.I. des Hauts-Sarts, Zone 1 - Prolongement de la rue de l'Abbaye, 134 - B-4040 Herstal - Belgium

Tel +32 (0)4 248 39 83

Fax +32 (0)4 264 82 38

E-Mail info@buzon.eu

www.buzon.eu