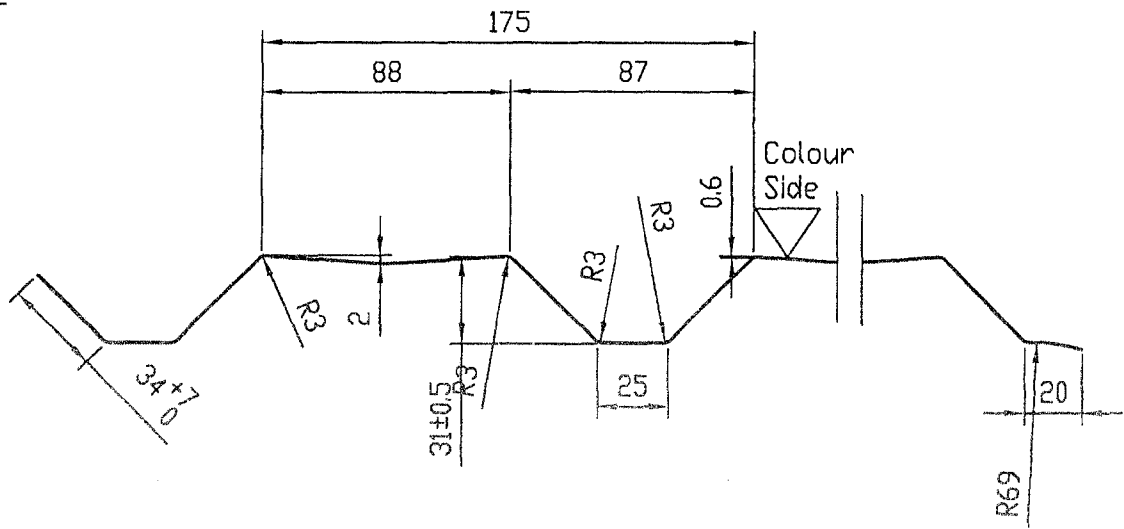
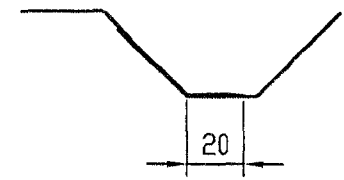


OVER LAPPING



Material width 1250 mm
Material thickness 0.45...0.75 mm

4/35

Part	Name, Drawing number	Date	Form, assembly, material		Pos
			Material	Pos	
PROJECT No. 000	QUANTITY 343937	Name Date No	Scale 1:1	Design KPa	241106
SHEET METAL TECHNOLOGY			ASSEMBLY P	Approval	633103_2V

Change