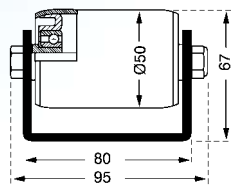
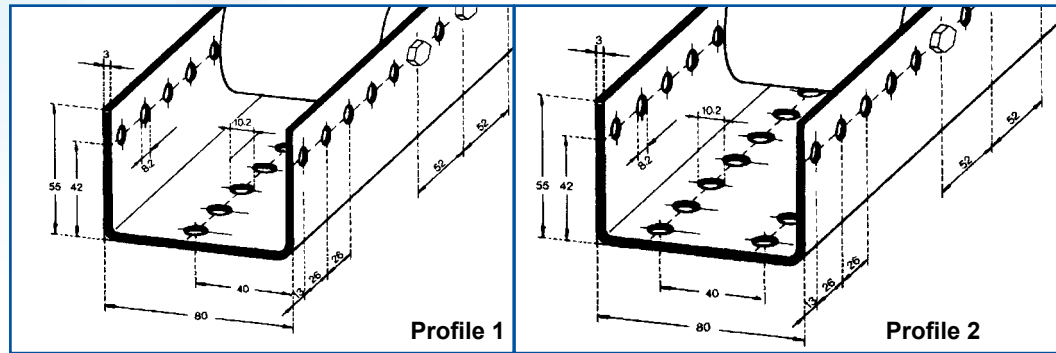


Pallet roller tracks

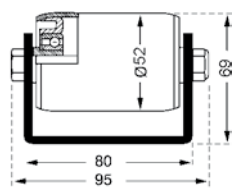
for live storage systems, transport and conveying

- Torwegge pallet roller tracks can be equipped with different rollers
- Stainless steel (VA) also available

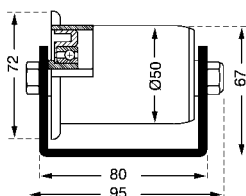


Roller type

- Steel roller 150 kg load-bearing capacity
- Replacement roller NR 100/50/8
- ball bearing mounted



- Steel roller with covering tube PVC 2mm
- Replacement roller NR 110/50/8 PVC2mm
- ball bearing mounted



- Steel roller with flange
- Replacement roller SR 100/50/8
- ball bearing mounted

The prices for replacement rollers can be found on page F 44

Profile 1 single row Order No.	Profile 2 double row Order No.	Construction height mm	Pitch mm
NR 100/052/1	NR 100/052/2	67	52
NR 100/078/1	NR 100/078/2	67	78
NR 100/104/1	NR 100/104/2	67	104
NR 100/130/1	NR 100/130/2	67	130
NR 100/156/1	NR 100/156/2	67	156
NR 100/182/1	NR 100/182/2	67	182
NR 100/208/1	NR 100/208/2	67	208
NR 110/078/1	NR 110/078/2	69	78
NR 110/104/1	NR 110/104/2	69	104
NR 110/130/1	NR 110/130/2	69	130
NR 110/156/1	NR 110/156/2	69	156
NR 110/182/1	NR 110/182/2	69	182
NR 110/208/1	NR 110/208/2	69	208
SR 100/078/1	SR 100/078/2	67/78	78
SR 100/104/1	SR 100/104/2	67/78	104
SR 100/130/1	SR 100/130/2	67/78	130
SR 100/156/1	SR 100/156/2	67/78	156
SR 100/182/1	SR 100/182/2	67/78	182
SR 100/208/1	SR 100/208/2	67/78	208