

Infrared Thermometer

PM-300 Infrared Thermometer

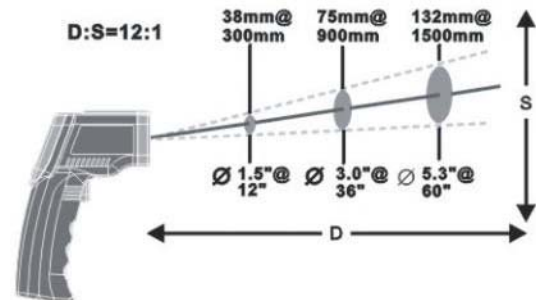
Temperature Range: $-32^{\circ}\text{C} \sim 300^{\circ}\text{C}$, $-26^{\circ}\text{F} \sim 572^{\circ}\text{F}$
Accuracy: $\pm 2\%$ or $\pm 2^{\circ}\text{C}$
Distance Spot Ratio: 12:1
Emissivity: pre-set 0.95
Resolution: 0.1°C or 0.1°F
Response Time: 500mSec, 95% response
Spectral Response: 8-14 μm
Repeatability: $\pm 1\%$ of reading or $\pm 1^{\circ}\text{C}$
 $^{\circ}\text{C}/^{\circ}\text{F}$ Selection
Data Hold Function
Laser Target Pointer Selection
Backlight Display Selection
Power: 9V Alkaline Battery
Product Color: Orange + Black
Product Size: 146*80*38 mm



PM-300



PM-350



PM-350 Infrared Thermometer

Temperature Range: $-50^{\circ}\text{C} \sim 480^{\circ}\text{C}$, $-58^{\circ}\text{F} \sim 896^{\circ}\text{F}$
Accuracy: $\pm 2\%$ or $\pm 2^{\circ}\text{C}$
Distance Spot Ratio: 12:1
Emissivity: pre-set 0.95
Resolution: 0.1°C or 0.1°F
Response Time: 500mSec, 95% response
Spectral Response: 8-14 μm
Repeatability: $\pm 1\%$ of reading or $\pm 1^{\circ}\text{C}$
 $^{\circ}\text{C}/^{\circ}\text{F}$ Selection
Data Hold Function
Laser Target Pointer Selection
Backlight Display Selection
Power: 9V Alkaline Battery
Product Color: Orange + Black
Product Size: 146*80*38 mm

PM-450 Infrared Thermometer

Temperature Range: $-50^{\circ}\text{C} \sim 550^{\circ}\text{C}$ ($-58^{\circ}\text{F} \sim 1022^{\circ}\text{F}$)
Accuracy: $\pm 2\%$ or $\pm 2^{\circ}\text{C}$
Distance Spot Ratio: 12:1
Emissivity: 0.10~1.00 adjustable
Resolution: 0.1°C or 0.1°F
Response Time & Wavelength: 500ms & (8-14) μm
Repeatability: $\pm 1\%$ or $\pm 1^{\circ}\text{C}$ (1.8°F)
Avg/Dif Temperature Measurement
Max/Min Temperature Measurement
High/Low Temperature Alarm Setup
12 Data Store/Recall Function
 $^{\circ}\text{C}/^{\circ}\text{F}$ Selection
Data Hold Function
Laser Target Pointer Selection
Backlight Display Selection
Auto Power Shut Off
Low Battery Indication
Power: 9V Battery
Product Net Weight: 210g
Product Size: 175x100x49mm



PM-450

Application:



Infrared Thermometer

PM-120 Forehead IR Thermometer for Body Temp.

- Quick response, non-contact measurement
- Temperature alarm function
- Large LCD with backlight
- Display Hold function
- Low battery indication
- Data Recorder 32 points
- Technical Parameter:
- Body Inner Temperature Measuring range: 32°C to 42.5°C;
- Body Surface Temperature Measuring range: 0°C to 60.0°C;
- Indoor Temperature Measuring range: 10°C to 40°C
- Accuracy: $\pm 0.3^{\circ}\text{C}$ Inner Temperature
- Accuracy: $\pm 0.5^{\circ}\text{C}$ Surface Temperature
- Accuracy: $\pm 2.0^{\circ}\text{C}$ Indoor Temperature
- Resolution: 0.1
- Measuring Distance: 5-10CM
- Auto power off: 8S
- Product net weight: 170g
- Product size: 270x90x40mm
- One 9V battery (Included)



PM-120

Package:



PM-290

PM-290 Infrared Thermometer

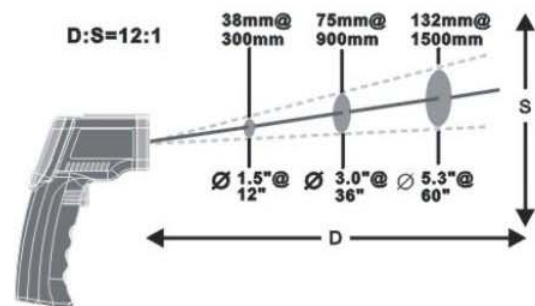
- Temperature Range: $-32^{\circ}\text{C} \sim 330^{\circ}\text{C}$, $-26^{\circ}\text{F} \sim 626^{\circ}\text{F}$
- Accuracy: $\pm 2\%$ or $\pm 2^{\circ}\text{C}$
- Distance Spot Ratio: 12:1
- Emissivity: pre-set 0.95
- Resolution: 0.1°C or 0.1°F
- Response Time: 500mSec, 95% response
- Spectral Response: 8-14 μm
- Repeatability: $\pm 1\%$ of reading or $\pm 1^{\circ}\text{C}$
- $^{\circ}\text{C}/^{\circ}\text{F}$ Selection
- Data Hold Function
- Laser Target Pointer Selection
- Backlight Display Selection
- Auto Power Shut Off
- Power: 9V Alkaline Battery
- Product Size: 143*93*88mm
- Product Color: Orange + Black
- Package: Blister-card

PM-300+ Infrared Thermometer

- Temperature Range: $-32^{\circ}\text{C} \sim 400^{\circ}\text{C}$ ($-26^{\circ}\text{F} \sim 752^{\circ}\text{F}$)
- Accuracy: $\pm 1.5\%$ or $\pm 1.5^{\circ}\text{C}$
- Distance Spot Ratio: 12:1
- Emissivity: 0.10 ~ 1.00 adjustable
- Resolution: 0.1°C or 0.1°F
- Response Time: 500mSec, 95% response
- Spectral Response: 8-14 μm
- Repeatability: $\pm 1\%$ of reading or $\pm 1^{\circ}\text{C}$
- $^{\circ}\text{C}/^{\circ}\text{F}$ Selection
- Data Hold Function
- Laser Target Pointer Selection
- Backlight Display Selection
- Power: 9V Alkaline Battery
- Product Color: Orange + Black
- Product Size: 146*80*38 mm



PM-300+



Infrared Thermometer

PM-300A/B Infrared Thermometer

Temperature Measuring Range:
PM-300A, -18°C ~ 280°C; PM-300B, -18°C ~ 380°C
Accuracy: $\pm 2\%$ or $\pm 2^\circ\text{C}$ (condition $23^\circ\text{C} \pm 2^\circ\text{C}$)
°C/°F Selection
Emissivity: pre-set 0.95
Resolution: 0.1
Response Time: 500mSec
Repeat Precision: $< \pm 0.5\%$ or $\pm 0.5^\circ\text{C}$
MAX and MIN measurement
Sleep mode
Scan function
Display hold
White-Backing Light
Power: 9V Alkaline Battery
Product size: 270*90*40 mm
LCD size: 22*22 mm, Package: Blister card



PM-300A/B

PM-862K with K-Type Thermocouple

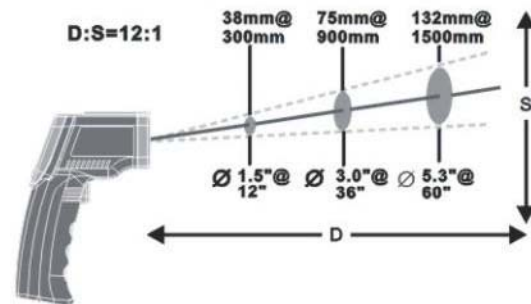
Temperature Measuring range:
Infrared: $-60 \sim 850^\circ\text{C}$ ($-76 \sim 1562^\circ\text{F}$)
K-TYPE: $-50 \sim 250^\circ\text{C}$ ($-58 \sim 482^\circ\text{F}$)
Accuracy:
Infrared:
 $-60 \sim 0^\circ\text{C}$ ($-76 \sim 32^\circ\text{F}$), $\pm 3^\circ\text{C}$ or $\pm 3^\circ\text{F}$
 $0 \sim 250^\circ\text{C}$ ($32 \sim 482^\circ\text{F}$), $\pm 2^\circ\text{C}$ or $\pm 2^\circ\text{F}$
 $250 \sim 850^\circ\text{C}$ ($482 \sim 1562^\circ\text{F}$), $\pm 2^\circ\text{C}$ or $\pm 2^\circ\text{F}$ ($\pm 3^\circ\text{C}$ selectable)
K-Type:
 $-50 \sim 0^\circ\text{C}$ ($-58 \sim 32^\circ\text{F}$), $\pm (0.2\% \text{rgd} + 1^\circ\text{C})$;
 $0 \sim 99^\circ\text{C}$ ($32 \sim 210^\circ\text{F}$), $\pm (0.2\% \text{rgd} + 1^\circ\text{C})$;
 $100 \sim 250^\circ\text{C}$ ($212 \sim 482^\circ\text{F}$), $\pm (0.2\% \text{rgd} + 1^\circ\text{C})$
Test Temperature: $23^\circ\text{C} \pm 2^\circ\text{C}$
Distance to spot size: 12:1
Repeatability: 1% of reading or $\pm 1^\circ\text{C}$
Response time: 500ms
Spectral response: 8~14 μm
Emissivity: 0.1~1.0 (pre-set 0.95)
Operating Conditions :
Temperature: $0 \sim 40^\circ\text{C}$
Humidity: 10~90RH, no condensing
Storage Condition: Temperature: $-20 \sim 60^\circ\text{C}$
Other parameters are the same as PM-862A



PM-862K



PM-400



PM-400 Infrared Thermometer

Temperature Range: $-50 \sim 400^\circ\text{C}$ ($-58 \sim 752^\circ\text{F}$)
Accuracy: $\pm 2\%$ or $\pm 2^\circ\text{C}$ (2.7°F)
Distance Spot Ratio: 12:1
Emissivity: 0.10~1.00 adjustable
Resolution: 0.1°C or 0.1°F
Response Time & Wavelength: 500ms & (8-14) μm
Repeatability: $\pm 1\%$ or $\pm 1^\circ\text{C}$ (1.8°F)
Average/Difference Temperature Measurement
Max/Min Temperature Measurement
High/Low Temperature Alarm Setup
12 Data Store/Recall Function
°C/°F Selection
Data Hold Function
Laser Target Pointer: Double Lasers
Backlight Display Selection
Auto Power Shut Off
Low Battery Indication
Power: 9V Battery
Product Size: 170x100x49mm,
Package Gift box

Application:



Infrared Thermometer

PM-852B Infrared Thermometer

Temperature Range: $-50^{\circ}\text{C} \sim 650^{\circ}\text{C}$, $-58^{\circ}\text{F} \sim 1202^{\circ}\text{F}$
Accuracy: $\pm 2\%$ or $\pm 2^{\circ}\text{C}$
Distance Spot Ratio: 12:1
Emissivity: 0.95
Resolution: 0.1°C or 0.1°F
Response Time & Wave length: 500ms & (8-14) μm
Repeatability: $\pm 1\%$ or $\pm 1^{\circ}\text{C}$
 $^{\circ}\text{C}/^{\circ}\text{F}$ Selection
Data Hold Function
Laser Target Pointer Selection
Backlight Display Selection
Auto Power Shut Off
Low Battery Indication
Power: 9V Alkaline Battery
LCD size: 37.0×35.0 mm
Product Color: Yellow + Black
Product Net Weight: 210 g
Product Size: $175 \times 100 \times 49$ mm



PM-852B

PM-872S Infrared Thermometer

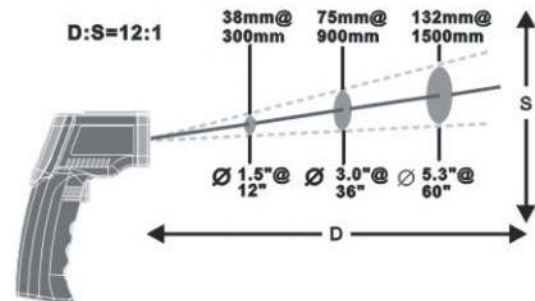
Temperature Range: $-50^{\circ}\text{C} \sim 1050^{\circ}\text{C}$, $-58^{\circ}\text{F} \sim 1992^{\circ}\text{F}$
Accuracy: $\pm 2\%$ or $\pm 2^{\circ}\text{C}$
Distance Spot Ratio: 20:1
Emissivity: 0.1~0.99 (Adjustable)
Resolution: 0.1°C or 0.1°F ($< 1000^{\circ}\text{C}$), 1°C or 1°F ($\geq 1000^{\circ}\text{C}$)
Response Time & Wave-length: 500ms & (8-14) μm
Repeatability: $\pm 1\%$ or $\pm 1^{\circ}\text{C}$
Tripod Mounting
Average and Difference Function
Max and Min Function
High Low Temperature Alarm Setup
Data Store/Recall Function
 $^{\circ}\text{C}/^{\circ}\text{F}$ Selection
Data Hold Function
Laser Target Pointer Selection
Backlight Display Selection
Auto Power Shut Off
Power: 9V Alkaline Battery
LCD size: 44×37.5 mm
Product Net Weight: 480g
Product Size: $220 \times 155 \times 59$ mm



PM-872S



PM-862A



PM-862A Infrared Thermometer

Temperature Range: $-18^{\circ}\text{C} \sim 850^{\circ}\text{C}$, $0^{\circ}\text{F} \sim 1562^{\circ}\text{F}$
Accuracy: $\pm 2\%$ or $\pm 2^{\circ}\text{C}$
Distance Spot Ratio: 12 : 1
Emissivity: 0.1-0.99 (Adjustable)
Resolution: 0.1°C or 0.1°F
Response Time & Wave length: 500ms & (8-14) μm
Repeatability: $\pm 1\%$ or $\pm 1^{\circ}\text{C}$
Tripod Mounting
Average And Difference Function
Max And Min Function
High Low Temperature Alarm Setup
Data Store/Recall Function
 $^{\circ}\text{C}/^{\circ}\text{F}$ Selection
Data Hold Function
Laser Target Pointer Selection
Backlight Display Selection
Auto Power Shut Off
Power: 9V Alkaline Battery
LCD size: 37.0×35.0 mm
Product Color: Yellow + Black
Product Net Weight: 210 g
Product Size: $175 \times 100 \times 49$ mm



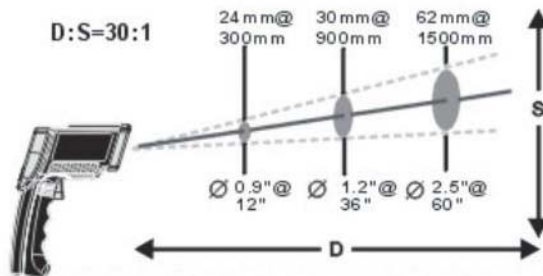
Infrared Thermometer

PM-872 Infrared Thermometer

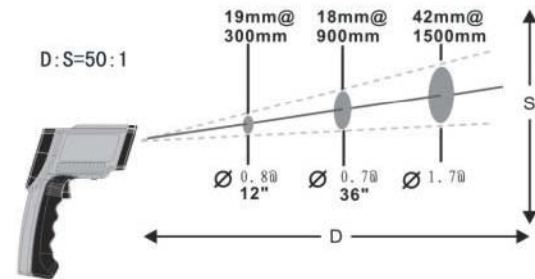
Temperature Range: $-18^{\circ}\text{C} \sim 1250^{\circ}\text{C}$, $0^{\circ}\text{F} \sim 2282^{\circ}\text{F}$
 Accuracy: $\pm 2\%$ or $\pm 2^{\circ}\text{C}$
 Distance Spot Ratio: 30:1
 Emissivity: 0.1~1.0 (Adjustable)
 Resolution: 0.1°C or 0.1°F ($<1000^{\circ}\text{C}$), 1°C or 1°F ($\geq 1000^{\circ}\text{C}$)
 Response Time & Wave-length: 500ms & (8-14) μm
 Repeatability: $\pm 1\%$ or $\pm 1^{\circ}\text{C}$
 Tripod Mounting
 Average and Difference Function
 Max and Min Function
 High Low Temperature Alarm Setup
 Data Store/Recall Function
 $^{\circ}\text{C}/^{\circ}\text{F}$ Selection
 Data Hold Function
 Laser Target Pointer Selection
 Backlight Display Selection
 Auto Power Shut Off
 Power: 9V Alkaline Battery
 LCD size: 44*37.5mm
 Product Net Weight: 480g
 Product Size: 220*134*60mm



PM-872



PM-882



PM-882 Infrared Thermometer

Temperature Range: $-18^{\circ}\text{C} \sim 1500^{\circ}\text{C}$, $0^{\circ}\text{F} \sim 2732^{\circ}\text{F}$
 Accuracy: $\pm 2\%$ or $\pm 2^{\circ}\text{C}$
 Distance Spot Ratio: 50:1
 Emissivity: 0.1~1.0 (Adjustable)
 Resolution: 0.1°C or 0.1°F ($<1000^{\circ}\text{C}$), 1°C or 1°F ($\geq 1000^{\circ}\text{C}$)
 Response Time & Wave-length: 500ms & (8-14) μm
 Repeatability: $\pm 1\%$ or $\pm 1^{\circ}\text{C}$
 Tripod Mounting
 Average and Difference Function
 Max and Min Function
 High Low Temperature Alarm Setup
 Data Store/Recall Function
 $^{\circ}\text{C}/^{\circ}\text{F}$ Selection
 Data Hold Function
 Laser Target Pointer Selection
 Backlight Display Selection
 Auto Power Shut Off
 Power: 9V Alkaline Battery
 LCD size: 44*37.5mm
 Product Net Weight: 480g
 Product Size: 220*134*60mm



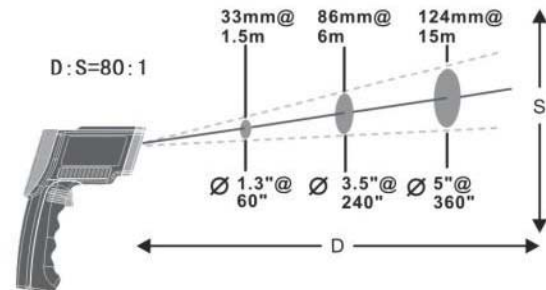
Infrared Thermometer

PM-892 Infrared Thermometer

Temperature Range: 200°C ~ 1850°C, 392°F ~ 3362°F
 Accuracy: $\pm 2\%$ or $\pm 2^\circ\text{C}$
 Distance Spot Ratio: 80 : 1
 Emissivity: 0.1~1.0
 Resolution: 0.1°C or 0.1°F (<1000°C), 1°C or 1°F ($\geq 1000^\circ\text{C}$)
 Response Time & Wavelength: 500ms & (8-14) μm
 Repeatability: $\pm 1\%$ or $\pm 1^\circ\text{C}$
 Tripod Mounting
 RS232 & DC Output interface to connect with PC
 Software included to install in computer, Operate and analyze data
 Data Logging (Data log Timing Setup)
 Average and Difference Function
 Max and Min Function
 High/Low Temperature Alarm Setup
 Data Store/Recall Function
 °C/°F Selection
 Data Hold Function
 Laser Target Pointer Selection
 Backlight Display Selection
 Auto Power Shut Off
 Power : 9V Alkaline Battery
 LCD size : 44*37.5mm
 Product Net Weight : 480g
 Product Size : 220*134*60mm



PM-922



PM-922 Infrared Thermometer

Temperature Range: 200°C ~ 2200°C, 392°F ~ 3992°F
 Accuracy: $\pm 2\%$ or $\pm 2^\circ\text{C}$
 Distance Spot Ratio: 80 : 1
 Emissivity: 0.1~1.0
 Resolution: 0.1°C or 0.1°F (<1000°C), 1°C or 1°F ($\geq 1000^\circ\text{C}$)
 Response Time & Wavelength: 500ms & (900-1700) μm
 Repeatability: $\pm 1\%$ or $\pm 1^\circ\text{C}$
 Tripod Mounting
 RS232 & DC Output interface to connect with PC
 Software included to install in computer, Operate and analyze data
 Data Logging (Data log Timing Setup)
 Average and Difference Function
 Max and Min Function
 High/Low Temperature Alarm Setup
 Data Store/Recall Function
 °C/°F Selection
 Data Hold Function
 Laser Target Pointer Selection
 Backlight Display Selection
 Auto Power Shut Off
 Power: 9V Alkaline Battery
 LCD size: 44*37.5mm
 Product Net Weight: 480g
 Product Size: 220*134*60mm



PM-892

