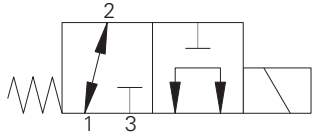


# SV1-10-3/3M/3R - Solenoid Valve

3-way, 2-position, spool type solenoid valve  
Up to 23 L/min (6 USgpm) • 210 bar (3000 psi)

A



## Operation

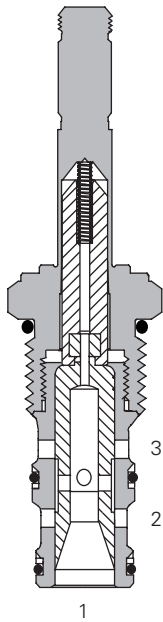
In the de-energized position this valve allows flow from port 1 to 2 while port 3 is blocked.

In the energized position flow is allowed from port 3 to port 1 while port 2 is blocked.

## Features

Hardened, ground and honed working parts to limit leakage. IP69K Tough coil compatibility. Continuously rated. Compact design with low pressure drop. Rated pressure on all ports.

## Sectional View



## Performance Data

### Ratings and Specifications

Performance data is typical with fluid at 21,8 cSt (105 SUS) and 49° C (120° F)

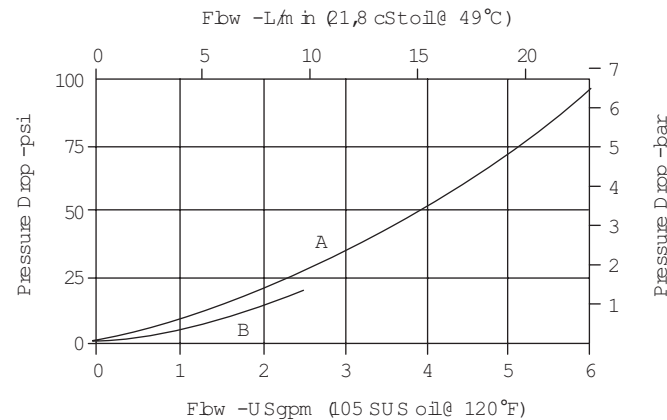
Typical Application pressure (all ports)	210 bar (3000 psi)
Cartridge fatigue pressure (infinite life)	210 bar (3000 psi)
Rated Flow	23L/min (6 USgpm) Max. flow port 1 to 2-10L/min (2.5 USgpm)
Internal leakage	164 cm <sup>3</sup> /min (10 in <sup>3</sup> /min) max @ 210 bar (3000 psi)
Temperature range	-40° to 120° C (-40° to 248° F)
Coil Duty	Continuous from 85% to 110% of normal voltage
Cavity	C-10-3
Fluids	All general purpose hydraulics fluids such as: MIL-H-5606, SAE 10, SAE 20 etc.
Filtration	Cleanliness code 18/16/13
Housing material (standard)	Aluminum
Weight including coil	0,42 kg (0.93 lbs)
Seal kit	889624 (Buna-N), 889688 (Viton®)

Viton is a registered trademark of E.I. DuPont

## Description

This is a 3-way 2-position, direct acting, spool type solenoid valve. This valve can be used in applications requiring separate pressure and tank lines, such as a single acting cylinder or any other application where a three way two position solenoid valve is needed.

## Pressure Drop

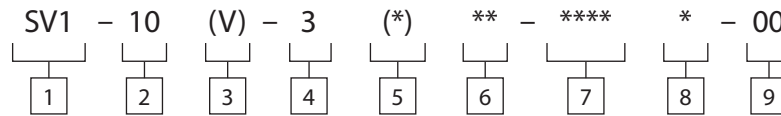


Where measurements are critical request certified drawings. We reserve the right to change specifications without notice.

# SV1-10-3/3M/3R - Solenoid Valve

3-way, 2-position, spool type solenoid valve  
Up to 23 L/min (6 USgpm) • 210 bar (3000 psi)

## Model Code



**1** Function  
SV1 - Solenoid valve

**2** Size  
10 - 10 size

**3** Seal Material  
Blank - Buna-N  
V - Viton®

**4** Style  
3 - 3-way, 2 position

**5** Manual Override Option  
Blank - No manual override  
M - Knob Type  
R - Cable Type  
Forvalvedimensionswithmanualover-  
ride option installed see page A-980.

**6** Port Size

CODE	PORT SIZE	HOUSING NUMBER
0	Cartridge only	
3B	3/8" BSPP	02-173358*
6T	SAE6	566162*
2G	1/4" BSPP	876705
3G	3/8" BSPP	876714
6H	SAE 6	876704
8H	SAE 8	876711

\*Light duty housing  
See section J for housings.

**7** Voltage Rating

00 - No coil	24A - 24VAC
12D - 12VDC	115A - 115VAC
24D - 24VDC	230A - 230VAC
36D - 36VDC	12B - 12VDC/w diode*
	24B - 24VDC/w diode*

\*Optional arc suppression diode

**8** Connector Types

Blank - No coil  
G - ISO 440 DIN 43650  
Q - Spade terminals  
W - Flying lead  
N - Deutsch (DC only)  
Y - Amp JR (DC only)  
D - Metripack 150 male (DC only)  
J - Metripack 280 male (DC only)

For coil dimensions see section C.

**9** Special Features

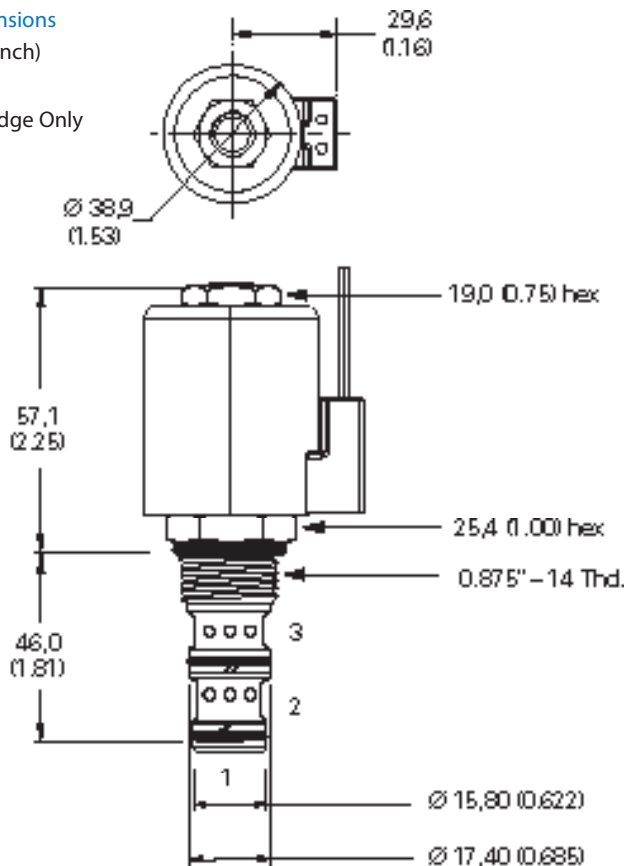
00 - None  
(Only required if valve has special features, omitted if "00".)

Note: Use J series, 23W coils with this solenoid valve.

## Dimensions

mm (inch)

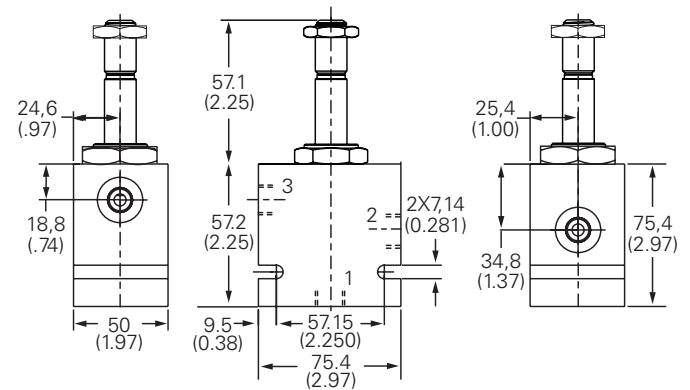
Cartridge Only



Torque cartridge in aluminum housing 47-54 Nm (35-40 ft lbs).

Note: When solenoid valve is ordered as cartridge only, coil nut is included.

Installation Drawing (Aluminum)



**WARNING**  
Maintain 5-8 Nm (4-6 ft lbs) maximum torque on valve tube nut. Over tightening may cause valve failure.