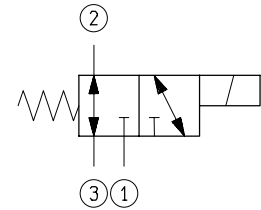
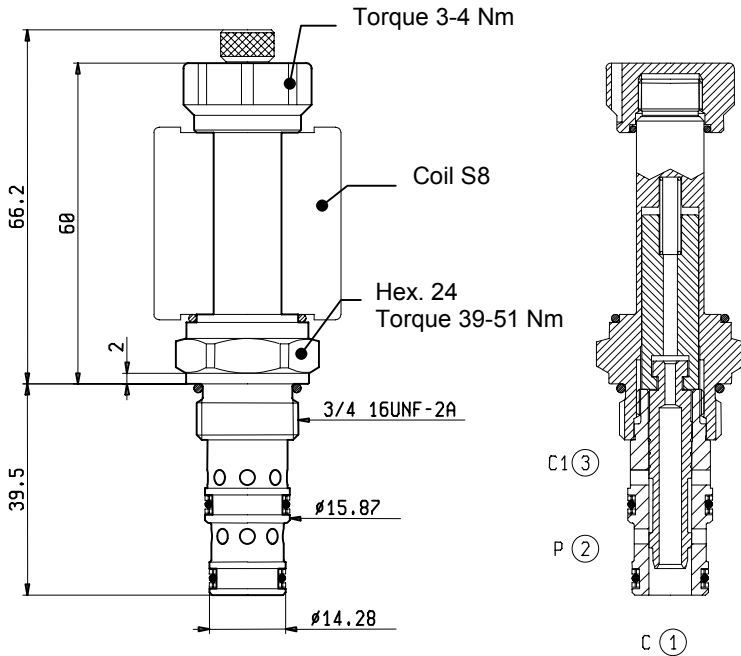


**SOLENOID OPERATED VALVES
SPOOL 3-WAY 2-POSITION
CARTRIDGE STYLE**



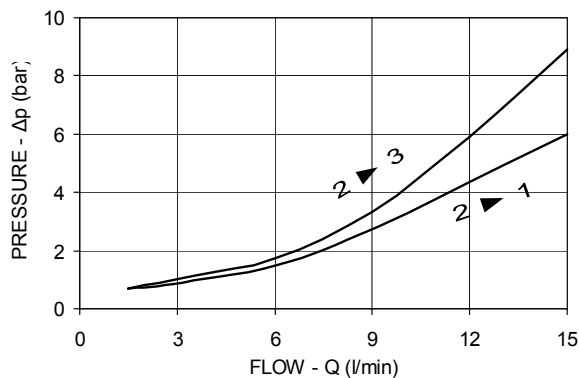
VED-8I-32-06-SE

OD.13.10.51 - Y - 00



TECHNICAL DATA

Maximum Operating Pressure	210	bar
Rated Flow	10	l/min
Cavity - Tooling (051-E)	page 7.01.110	
Weight	0.130	kg
Fluids - Temperatures	page 7.01.040	
Testing Conditions - Seals	page 7.01.040	
Internal Leakage at 210 bar with 46 cSt oil	Max.40 cm ³ /min	
Filtration : 25 µm nominal or better	page 7.01.050	
Minimum Voltage Required	90% of nominal	
Coils must be ordered separately	page 1.71.050	
Mounting Position	unrestricted	



Y ORDERING OPTIONS

30 Standard



40 Knob Style Manual Override

