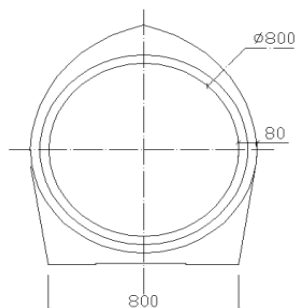
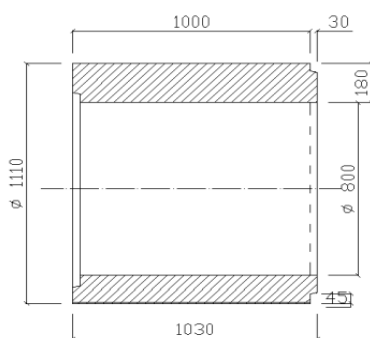


Tuburi Trafic

COD	Dimensiuni (d/l) mm	Greutate (kg)	Pret* fara TVA	Pret* cu TVA (24%)
TTR 300	300/1000/470	180		
TTR 400	400/1000/605	270		
TTR 500	500/1000/730	400		
TTR 600	600/1000/860	580		
TTR 800	800/1000/1115	870		
TTR 1000	1000/1000/1410	1500		



TTR



LISTA DE PRETURI pe www.prefabet.ro

Tuburi Kanal

COD	Tip	Dimensiuni (d/l) mm	Greutate (kg)	*Pret fara TVA	*Pret cu TVA (24%)
TKT 500	TALPA	500/1000	260		
TK 600	INEL	600/1000	330		
TKT 800	TALPA	800/750			
TKT 800	TALPA	800/1000	390		
TK 1000	INEL	1000/250	170		
TK 1000	INEL	1000/500	360		
TK 1000	INEL	1000/750	530		
TK 1000	INEL	1000/1000	640		
TK 1500S	SEPARATOR	1500/500			
TKS 2000	SEPARATOR	2000/500			

TK



TKT



CC



COD	Tip	Dimensiuni (d/l) mm	Greutate (kg)	Pret**	Pret**
TK 2000	INEL	2000/500			
CC DN 2000	CAPAC	1000			
CC DN 2000	CAPAC	2000			
CT	CAP TRONCONIC Ø1000/d600/h625				

CAP TRONCONIC



TUBURI KANAL

2

