

Mediterranea

Mediterranea da un nou sens aerului si spatiilor deschise din gradina sau terasa dumneavoastra. Nu este altceva mai frumos decat relaxarea in aer liber si vreme calda, fiind in acelasi timp protejat de razele soarelui. Meditteranea ajuta la extinderea spatiului exterior, protejand de soare, umezeala si ploaie. Aduceti stilul Mediteranean acasa la dumneavoastra, castigati spatiu exterior folosibil netinand cont de dimensiune.

Mediterranea provides a sense of air, light, open space during days spent in the garden or on the terrace. There is nothing better than sitting outside enjoying the warm weather and relaxing as the sun shines, whilst being protected from the sun's rays. The Mediterranea helps extend your enjoyment of the great outdoors by providing evening shelter from the humidity and rain. Create the feel of the Mediterranean in your garden or terrace, capitalizing on the available open space regardless of size.





Sun & Shadow va ofera o gama completa de tesuturi tratate cu Teflon. Acest tratament le face rezistente la soare, ploaie, smog si murdarie. Doua tipuri de tesuturi PVC sunt folosite pentru o protectie totala impotriva soarelui si a ploii.

Sun & Shadow offers a complete range of fabrics which are Teflon treated. This treatment makes them resistant to sun, rain, smog and mould. Two types of PVC dimming fabrics are available for a total protection against rain and sun.



Tehnologia avansata, atentie fata de detalii si durabilitatea mecanismelor sunt punctele cheie ale tehnologiei Sun & Shadow.

- Structura din aluminiu
- Accesorii inox

Advanced frame building technologies, hand crafted care for details, and highly durable mechanical devices are important features for Sun & Shadow products.

- Aluminium frameworks
- Stainless steel accessories



O linie de copertine deosebit de robuste certificate sa functioneze in deplina siguranta si in conformitate cu normele Europene CE in vigoare.

- Marca CE este necesara copertinelor actionate cu motoare
- Rezistenta la vant: clasa 3 (110NM=50KM/h) echivalent cu 6° - 7° pe scara Beaufort.

A solid and firm sun awning certified to operate in total security, in conformity with the European CE norms

- The CE mark is necessary with motorized sun awnings
- Wind resistance: class 3 (110NM =50KM) equivalent to grade 6-7 on the Beaufort scale.



Copertine Sun & Shadow sunt proiectate si executate in conformitate cu cele mai inalte standarde. Robustetea, functionalitatea, tehnologia precum si materialele de cea mai buna calitate ne dau siguranta unei garantii a produselor de 5 ani.

Warranty. Sun & Shadow awnings are designed and manufactured to the highest standards. Their robustness, functionality, technology and high quality raw materials, allow us to provide a 5 year warranty.

mediterranea

Sun & Shadow  **By Gibus**
OUTDOOR SOLUTIONS

COUNTRY MED ELITE

COUNTRY MED FORMA

MED UNICA 165

MED UNICA 130

MED 85

MED 85 COMBY

MED SLIM

MED SLIM COMBY

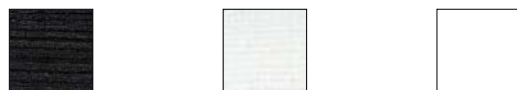
Mediterranea



Antracit 416 Anthracite 416
 Alb RAL 9010 White RAL 9010
 Fildes RAL 1013 Ivory RAL 1013
 Efect otel inox Stainless steel effect
 Maro RAL 8017 Brown RAL 8017



Finisare lemn Mahon Wood Mahogany Finish
 Finisare lemn Nuc Wood Walnut Finish
 Finisare lemn Verde Wood Green Finish



Finisare lemn Antracit Wood Anthracite Finish
 Finisare lemn Alb Wood White Finish
 Finisare lemn Vopsit alb Wood White Coated

Rezistentă la vânt : clasa 3 (110NM = 50 km/h)
 echivalent cu 6 - 7 pe scara Beaufort

Wind resistance: class 3 (110NM =50 km/h)
 equivalent to grade 6-7 on the Beaufort scale





Un efect deosebit la acest model este efectul de unda al tesutului. Exista posibilitatea de a personaliza spatiul ales in diferite moduri, in functie de designul dorit si functionalitatea impusa. In versiunea cu tesutul tensionat (actionarea cu motor cu telecomanda obligatorie), benzile tesutului sunt complet intinse, fapt care garanteaza o totala descarcare a apei. Tesutul se confectioneaza din PVC specific, obscurant pentru o protectie totala la soare si ploaie. PVC-ul obscurant previne vizibilitatea si patrunderea murdariei de la partea supeioara a tesutului la cea inferioara. Pentru a asigura descarcarea totala a aspei si in timp util :

- In versiunea cu tesutul in tensiune se asigura o inclinatia de min. 15 % (aproximativ 8 °)
- In versiunea modelului cu efect de unda se asigura o inclinare stanga sau dreapta de min. 2 %

La retragerea totala a copertinei, pentru a proteja tesutul se prevede un acoperis de protectie. In fotografie se vede un acoperis de protectie ondulat din PMMA cu grosimea de 3mm.



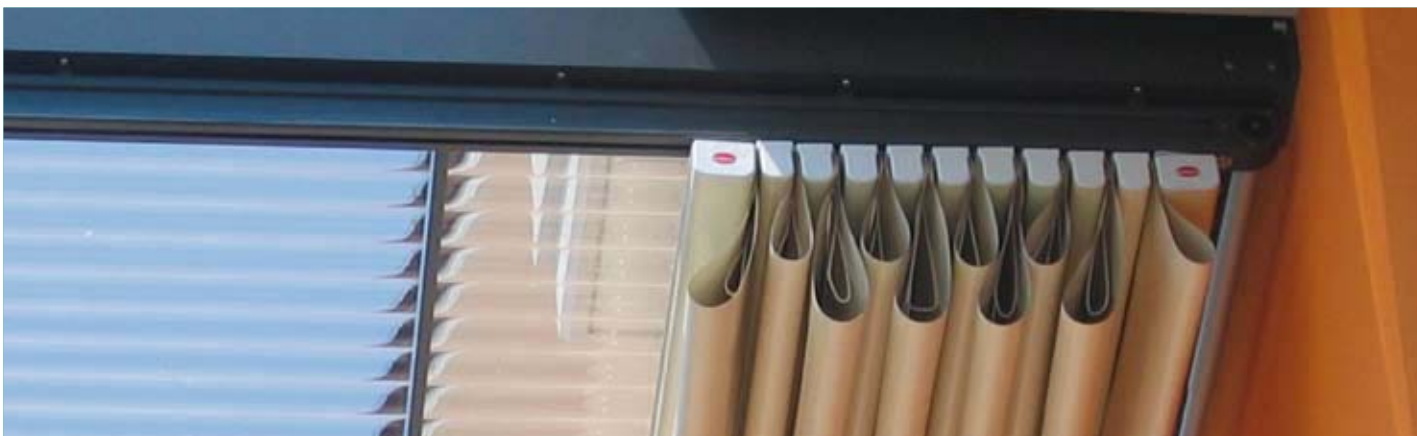
An unmistakable feature of the Mediterranea is the panelled effect of the cloth. The cloth can be manufactured with specific PVC dimming fabrics, for total protection against sun and rain. The PVC dimming fabric prevents the appearance of dirt from the upper side of the cloth. In the tensioned cloth version (motor with remote control is necessary) the fabric bands are completely stretched, and create a flat surface that guarantees the discharge of rain water.

In order to grant the discharge of the water:

- The tensioned cloth version minimum inclination must be 15% (about 8°)
- The wave-shaped cloth version the minimum lateral inclination with discharge on right, left or alternated sides requires a minimum inclination of 2%.

When the awning is fully retracted and the fabric stack is not under cover, a protection roof is compulsory.

Here the picture shows a PMMA transparent wave shaped protection roof (thickness 3 mm).



Diferenta consta in detalii

Details make the difference

Colector de apa cu scurgere integrata in picior.

Jghebul colecteaza apa de ploaie de pe suprafata copertinei si o deverseaza in burlanul integrat in picior. Deversarea apei este catre exterior asa cum se observa in fotografie.

Water gutter with drain pipe integrated into the front leg profile.

The gutter collects the rainwater from the roof of the awning and diverts it into the drain pipe, that is inserted into the leg profile. The water outlet is outside, as the picture shows.





Acoperis de protectie (optional). Atunci cand copertina este complet inchisa iar faldurile tesutului nu sunt acoperite, este nevoie de un acoperis de protectie. Aceste acoperisuri se pot livra din PMMA ondulat , transparent cu grosimea de 3 mm sau din tabla de aluminiu trapezoidal.

Protection roof (optional). When the awning is fully retracted and the fabric stack is not under cover, a protection roof is compulsory. These covers are available in transparent wave-shaped PMMA of thickness 3 mm or aluminium trapezoidal shaped.

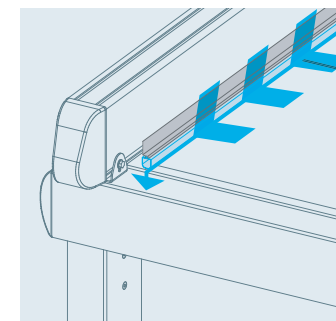
Profil de protectie a structurii longitudinale din lemn (optional). Profilul este confectionat din aluminiu.

Profil pour la protection des poteaux en bois (option)
Cover guide (optional). Aluminium protection profile for the upper side of the wooden beam



Profil contra infiltratiilor de apa. Este compus dintr-un profil de aluminiu cu o garnituradin cauciuc. Acest profil previne deversarea apei spre lateralele copertinei.

Drip catcher profile. Special component composed of an aluminium profile and a rubber gasket. This profile protects the cloth against the rain water and it prevents the water from seeping over the lateral side of the cloth.



Cercetare Tehnologica Technological research

Mediterranea este un rezultat al cercetării tehnologice și a nenumăratelor teste efectuate de Gibus. Pentru a ușura procedurile de instalare și a îmbunătăți sistemul copertinei, Gibus Group oferă trei sisteme noi și brevetate.

Gibus Mediterranea is the result of Gibus technological research and tests. In order to make easier and faster the installation procedures and improve the protection system of the awning, Gibus Group offers new exclusive patented systems:

- **“Fast Coupling”**

Brevet pentru instalarea și schimbarea rapidă a motoarelor.
Patent for installation of motors.

- **“Quick Block”**

Brevet pentru instalarea profilelor orizontale și a frontalelor.
Patent for installation of cloth- horizontal *profile* and terminal bar.

- **“Weather Strip”**

Brevet pentru etansarea tesutului la profilele orizontale.
Patent for sealing cloths and horizontal profile.

- **“Catch-Drop”**

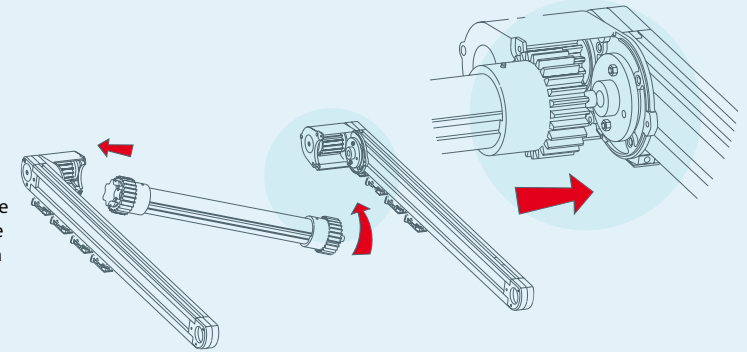
Brevet pentru izolarea la apă a lateralelor.
Patent for catching all rain drops.



Sistem brevetat pentru montajul rapid al motoarelor.
Patented system for the quick mounting of the motors.

Sistemul de Cuplare Rapida Permite cuplarea rapida și usoara a motorului la angrenaje. Capatul motorului este fixat în suportul motor iar capatul opus culiseaza permitand angrenajelor să se cupleze fara efort. În acest fel motorul ramane perfect aliniat în timpul acționării curelei dintate, fara a avea nevoie de un suport suplimentar, fiind integrat în structura copertinei. Mecanismul este încasat, astfel sistemul este sigur și protejat. Întreținerea este usoara datorita acestui sistem, asamblarea și demontarea durand foarte puțin timp.

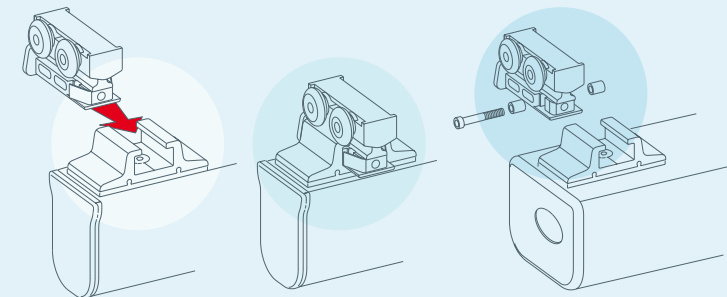
The Fast Coupling Gibus system allows an easy and quick way to couple the drive shaft to the gears. The motor end of the barrel assembly is fixed to the motor support, the opposite side end slides outwards allowing the gears to couple together. The motor will always be balanced when rotating the drive belt of the system without needing supports, and it is integrated in the Mediterranea’s structure. The mechanism is finished with the two security cases, making the system safe and protected. Maintenance is easy with the Fast Coupling system, as disassembly and the reassembly take little time.



Sistem brevetat de fixare a carucioarelor culisante de profilele orizontale.
Patented system for fastening the sliding carriage with horizontal profiles.

Sistemul Quick Block permite montarea carucioarelor culisante pe profilele orizontale printr-un sistem de blocaj. Greutatea copertinei este susținuta de carucioare printr-o piesă din aluminiu extrudat. Piesa este fixata pe profilul orizontala pentru o mai buna rezistenta

The Quick Block system allows the fastening of the carriage to the horizontal and main terminal bar *profile*. These bayonet couplings with blocking system simplify attaching the cloth. The awning’s weight is supported from the carriage with an extruded aluminium cleat. The cleat is *fixed* on the aluminium horizontal *profile* in order to guarantee a better resistance.



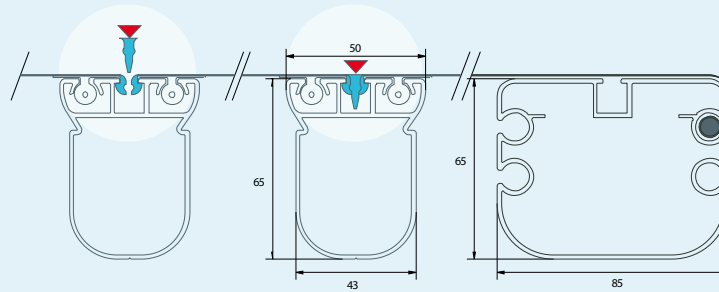


Sistem brevetat pentru instalarea si ermetizarea tesuturilor separate in profilele orizontale printr-o garnitura ac.

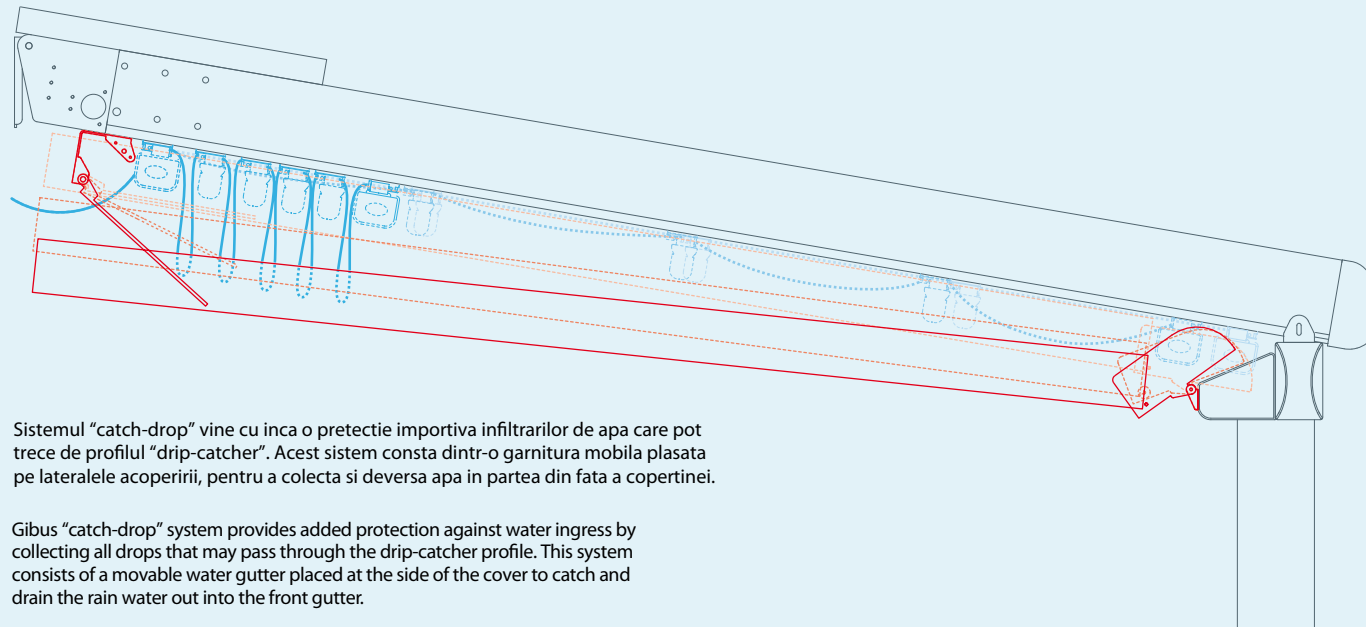
Patented system for installation and sealing of separated cloths into the horizontal profile with nail shaped gasket.

Cu ajutorul acestui sistem se fixeaza tesaturile. Tesaturile fiind separate, ele se sudeaza cu un cordon special si garnitura. Garniturile sunt inserate in profilul orizontal si sigilate cu presiune cu o alta garnitura ac. In acest fel etanseitatea este perfecta. Sistemul Weather Strip are avantajul ca, folosiind mai multe benzi de tesut, in cazul deteriorarii intr-un loc, se schimba numai banda respectiva si nu tot tesutul.

The Weather Strip system makes the installation of the cloths easier. The cloths are separate, sealed with a special cord and gaskets. The gaskets are inserted into the horizontal profile and sealed with the pressure insertion of a further nail-shaped gasket. In this way the waterproofing is perfect. The Weather Strip system gives the advantage of having separate cloths, so if necessary, only one fabric band can be replaced and not the whole cloth of the awning.



Sistem mobil brevetat, pentru izolarea la apa a lateralelor copertinei.
Patented system with lateral movable gutter in order to catch rain drops.



Sistemul "catch-drop" vine cu inca o protectie impotriva infiltrarilor de apa care pot trece de profilul "drip-catcher". Acest sistem consta dintr-o garnitura mobila plasata pe lateralele acoperirii, pentru a colecta si deversa apa in partea din fata a copertinei.

Gibus "catch-drop" system provides added protection against water ingress by collecting all drops that may pass through the drip-catcher profile. This system consists of a movable water gutter placed at the side of the cover to catch and drain the rain water out into the front gutter.

Motoare si dispozitive de automatizare



Motors and automatic devices

Linia de motoare Somfy combina calitatea, robustetea si garantia cu un design inovator si tehnica de ultima ora in domeniu. Motoarele sunt integrate in copertina si sunt proiectate sa lucreze cu un zgomot mic si in totala securitate, conform normelor Europene CE.

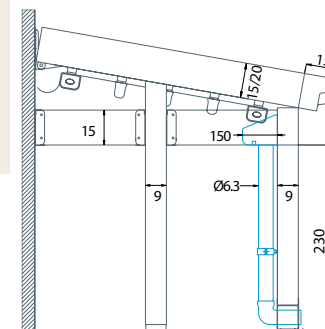
Somfy motor line combines quality, reliability, and warranty with innovative design and optimal technical features. The motors are integrated into the awning and they are designed to operate at low noise and in total security complying with all CE directives.





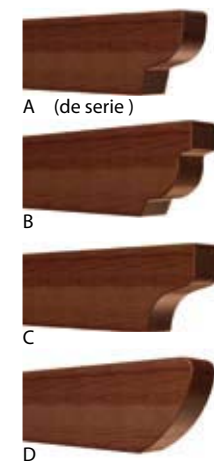
- Structura din pin lamelar tratata in autoclave clasa de calitate RAL3 in concordanta cu regulile DIN 68800/3.
- Lemnul este tratat cu nuante pe baza de apa.
- Suportii si organele de legatura din otel inox Aisi tip 304, vopsite in culorire structurii.
- Structura de rezistenta din doua traverse de lemn 150mm sau 200x60mm. Cele doua traverse din lemn se sprijina pe un frontal de lemn 90x160mm si totul pe picioare 90x160mm.
- Actionarea este realizata de curea de transmisie dintata.
- Lamellar pine wood structure, autoclave imbued, belonging to class RAL 3 according to the rules DIN 68800/03
- Wood treated with water-based colours.
- Brackets, supports and screws are in stainless steel Aisi type 304 powder coated in the same colours of the structure.
- Bearing structure with 2 wooden beams 150mm or 200 x 60. The two beams are on frontal beam 90 x 160 mm supported by uprights 90x160mm.
- Toothed belt drive system.

COUNTRY MED FORMA



OPTIONAL : Jgheab frontal pentru colectarea apei, cuplat la un burlan de deversare, plasat pe partea exterioara a piciorului, fixat de podea prin suport.

OPTIONAL : front water gutter with drain pipe placed to the outer side of the leg and water outlet connected to the floor fixing bracket.









- Structura de rezistenta din aluminiu vopsita in camp electrostatic cu fixare la parete sau tavan, sprijinita pe un frontal 150x90mm si totul pe picioare 150x90mm, cu fixare la podea
- Copertina culiseaza pe ghidaje din aluminiu 165mm si este sustinuta de profile orizontale 43x65mm, frontal 85x65mm. Profilele orizontale, frontalele si ghidajele din aluminiu vopsite in camp electrostatic.
- Actionare prin curea de transmise dintata.
- Jgheab frontal cu burlan integrat in picior si deversarea apei in fata prin suportul de fixare al piciorului.

- Bearing structure in powder coated Aluminium with wall or ceiling fastening system and supported by a bearing profile with 150x90mm with legs 150x90mm for floor anchorage.

- Fabric bands awning , sliding on RAL coated Aluminium guides 165mm and supported by aluminium coated horizontal profile 43x65mm and frontal bar 85x65mm. Horizontal profiles, terminal bar and guide are in Aluminium coated.

- Toothed belt drive system on lateral guides rotating on ball bearings.

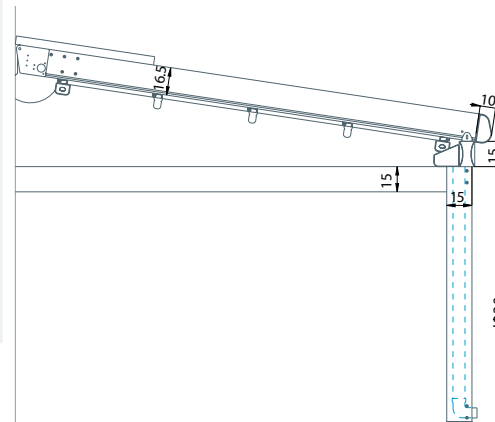
- Front gutter with drain pipe integrated into the leg and water outlet within the floor fixing brackets.

MED UNICA 165



UNICA
165
PM2

UNICA
165
PM3



OPTIONAL : Jgheab frontal pentru colectarea apei, cuplat la un burlan de deversare, plasat pe partea exterioara a piciorului, fixat de podea prin suport.

OPTIONAL :
to the outer side of the leg and water outlet connected to the floor fixing bracket.

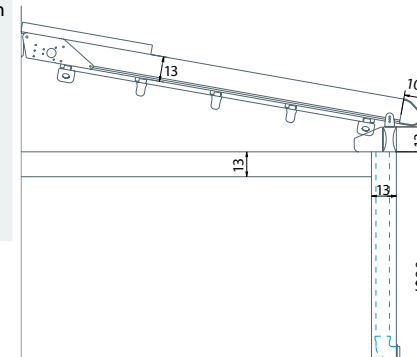






- Structura de rezistenta din aluminiu vopsita in camp electrostatic cu fixare la parete sau tavan, sprijinita pe un frontal 130x70mm si totul pe picioare 130x70mm, cu fixare la podea
- Copertina culiseaza pe ghidaje din aluminiu 130mm si este sustinuta de profile orizontale 43x65mm, frontal 85x65mm. Profilele orizontale, frontalele si ghidajele din aluminiu vopsite in camp electrostatic.
- Actionare prin curea de transmisiie dintata.
- Jgheab frontal cu burlan integrat in picior si deversarea apei in fata prin suportul de fixare al piciorului.
- Bearing structure in powder coated Aluminium with wall or ceiling fastening system and supported by a bearing profile with 130x70mm with legs 130x70mm for floor anchorage.
- Fabric bands awning , sliding on RAL coated Aluminium guides 130mm and supported by aluminium coated horizontal profile 43x65mm and frontal bar 85x65mm. Horizontal profiles, terminal bar and guide are in Aluminium coated.
- Toothed belt drive system on lateral guides rotating on ball bearings.
- Front gutter with drain pipe integrated into the leg and water outlet within the floor fixing brackets.

MED UNICA 130



OPTIONAL : Jgheab frontal pentru colectarea apei, cuplat la un burlan de deversare, plasat pe partea exterioara a piciorului, fixat de podea prin suport.

OPTIONAL :
to the outer side of the leg and water outlet connected to the floor fixing bracket.





- Copertina montata de profile orizontale 43x65mm care culiseaza pe ghidaje laterale din aluminiu 45x85mm si frontal 85x65mm. Profilele orizontale, frontalele si ghidajele vopsite in camp electrostatic.
- Actionare prin curea de transmisiie dintata.
- Aceasta copertina poate completa perfect orice structura deja existenta intr-un mod usor si rapid asigurand astfel protectia dorita de soare si ploaie, fara probleme.

- Bands of fabric awning supported by horizontal profiles 43x65mm sliding on RAL coated aluminium lateral guides 46x85mm and frontal bar 85x65mm.
- Horizontal profiles, terminal bar and guides are in powder coated aluminium.
- Toothed belt drive system
- This awning can complete every kind of pre-existing structure in an easy and quick way to provide protection from sun and rain without problems.

MED 85

cm 250-550
550-900 (PM2)
900-1180 (PM3)



MED 85
PM2



MED 85
PM3





- Structura de rezistenta din aluminiu vopsita in camp electrostatic cu fixare la perete sau tavan, sprijinita pe un frontal 130x70mm si totul pe picioare 130x70mm, cu fixare la podea
- Copertina culiseaza pe ghidaje din aluminiu 130mm si este sustinuta de profile orizontale 43x65mm, frontal 85x65mm. Profilele orizontale, frontalele si ghidajele din aluminiu vopsite in camp electrostatic.
- Actionare prin curea de transmisie dintata.
- Jgheab frontal cu burlan integrat in picior si deversarea apei in fata prin suportul de fixare al piciorului.
- Bearing structure in powder coated Aluminium with wall or ceiling fastening system and supported by a bearing profile with 130x70mm with legs 130x70mm for floor anchorage.
- Fabric bands awning , sliding on RAL coated Aluminium guides 130mm and supported by aluminium coated horizontal profile 43x65mm and frontal bar 85x65mm. Horizontal profiles, terminal bar and guide are in Aluminium coated.
- Toothed belt drive system on lateral guides rotating on ball bearings.
- Front gutter with drain pipe integrated into the leg and water outlet within the floor fixing brackets.

MED 85 COMBY





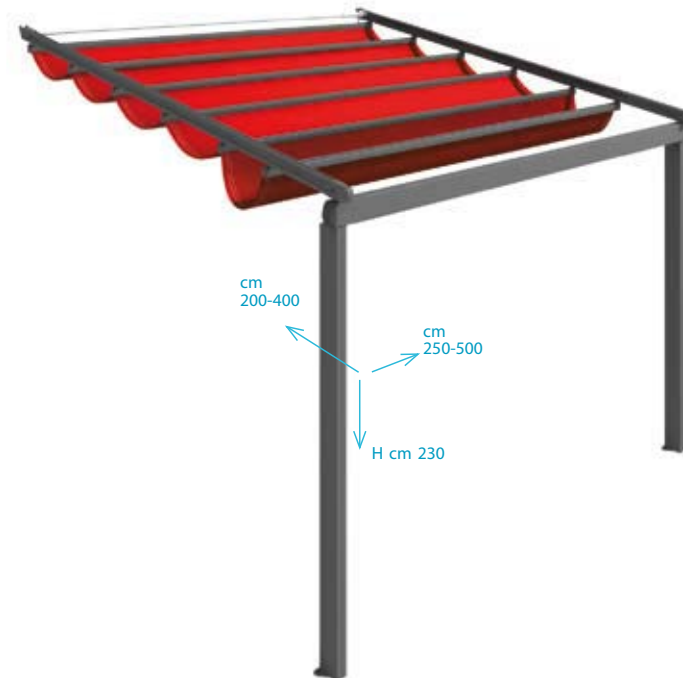
- MED SLIM
Modelul Med Slim reprezinta o modalitate eleganta si usoara de a completa o structura existenta.
- Copertina culiseaza pe ghidaje din aluminiu 48x85mm, profile orizontale 40x50mm. Profilele orizontale, frontalele si ghidajele vopsite in camp electrostatic.
- MED SLIM COMBY
Med Slim + structura de rezistenta vopsita in camp electrostatic, cu ghidaje din aluminiu 48x85mm si profile orizontale 40x50mm. Profilele orizontale, frontalele si ghidajele vopsite in camp electrostatic.

- MED SLIM
The awning MedSlim is an easy and elegant solution to complete pre-existing structure with pleasant roofing.
- Fabric Bands awning sliding on RAL coated aluminium guides 46x85mm supported by horizontal profiles 40x50mm. Horizontal profiles, terminal bar and guides are in powder coated aluminium.
- MED SLIM COMBY
Med Slim with bearing structure in Aluminium powder coated with wall or ceiling fastening system and supported by a bearing profile with legs for floor anchorage.

MED SLIM



MED SLIM COMBY



Protectie si intimitate cu inchideri laterale Protected privacy with lateral closings

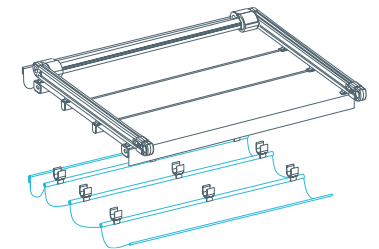
Inchiderile laterale si frontale reprezinta solutia ideala pentru inca o protectie in plus impotriva ploii si a altor intemperii. Acestea vor permite extinderea perioadei de folosire a spatiului protejat si inchis pe toata durata anului.

The lateral and front closings are an ideal solution to provide further protection against the rain or bad weather conditions. They allow you to extend the use of the open spaces well in to the autumn and spring seasons.



Frumusete si confort:
tesut acrilic suplimentar

Beauty and Comfort:
lower acrylic cloth



Al doile tesut, suplimentar, de obicei acrilic, in forma de valuri se poate fixa dedesubtul tesutului de baza. Aerul dintre cele doua tesuturi actioneaza ca izolatia, impiedica formarea condensului si acopera elementele structurale.

Lower acrylic cloth with wave shaped effect is fastened to MED horizontal profile. The air space between the outside and inside cloth improves the heat insulation, avoids condensation and hides the technical components of the structure.





