

OAL	520	WL1	500
CL	440	WL2	800
AL	435	Mark 1	DIRTECH + lot
		Mark 2	DC400V2000W 440BfH

Wire: SILIFLON UL 1727 AWG 18 600V 250°C (white)
OMERIN or equivalent

Terminal: End striped (7mm)

Specifications:

Nominal voltage: 400 V

Wattage: 2000 W ± 5%

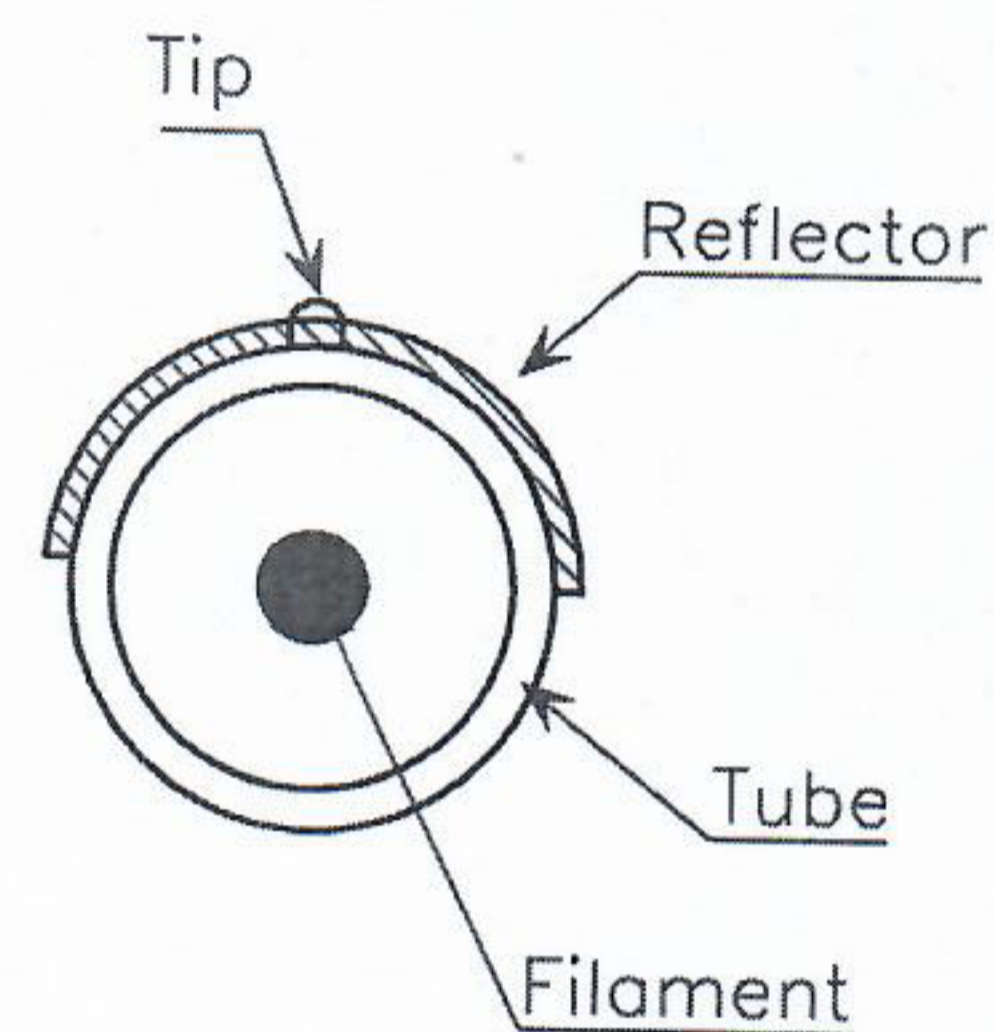
Average life: 5000 Hrs (with AC power supply, 50 or 60 Hz,
continuously at room temperature and free from vibration)

Lighting position: Horizontal ± 4°

Tc 2350 K

Strength test:

- Wire harness shall withstand tensile load of 5 Kgf in lamp axis direction.



Type: InfraRed Halogen Heater Lamp DC 400V 2000W 440 BfH		Modif.:	
		Date:	
Date: 03-03-21	DIRTECH	Version IC-2048	Comments