

TOSHIBA LIGHTING PRODUCTS (FRANCE) S.A

<p>1. Operating condition</p> <p>1-1. Temperature at sealing part: Temperature at both sealing ends (in the quartz glass above the molybdenum foil center) shall be measured with thermo-couple and must not exceed 350°C (to avoid a loss of electrical conductivity caused by molybdenum foil oxidation)</p> <p>1-2. Temperature at glass tube surface: 250 to 900°C</p> <p>1-3. Operating atmosphere: Under normal atmosphere pressure, without corrosive or explosive or inflammable gas.</p> <p>2. Storage environment</p> <p>2-1. Temperature range: -20°C MIN. 70°C MAX.</p> <p>2-2. Humidity range: 10%RH MIN 90%RHMAX without condensation.</p> <p>2-3. Under normal atmosphere pressure, without corrosive gas.</p>	<p>3. Warrantee</p> <p>3-1. Warrantee period: One year after the invoiced date to the customer.</p> <p>3-2. Condition of warrantee: In case of infrared heater lamp(s) with defect (defined as none-conformity to the specifications) is returned from the customer, during the warrantee period, TOSHIBA Lighting products (France) S.A., will compensate with re-delivering good infrared heater lamp(s). There is no obligation if the problem happened due to miss-design of appliances including safety design, miss-usage or miss handling of the infrared heater lamp(s). In case doubts rise up to judge none-conformity to the specifications, both parties shall cooperate together to solve problems.</p>
---	--

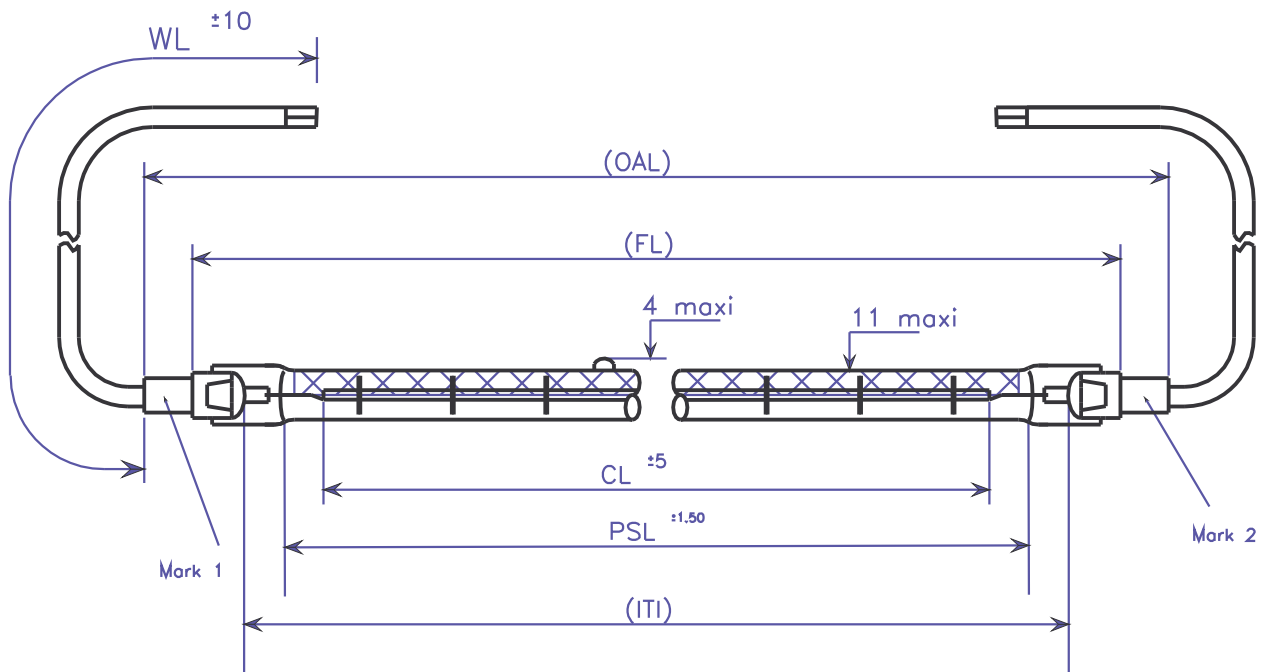
Batch code information:

Batch code example

A 0 6

Month	Code
Jan	A
Feb	B
Mar	C
Apr	D
May	E
June	G
July	H
Aug	K
Sept	L
Oct	R
Nov	S
Dec	U

Year	Code
2006	06
2007	07
2008	08
2009	09
2010	10
2011	11
2012	12
2013	13
2014	14
2015	15
2016	16
Etc..	



OAL	608	FL	588
PSL	552	WL	300
CL	500	Mark 1	TOSHIBA France + lot
ITI	568	Mark 2	JHC400V2500W500NH

Wire: SILIFLON UL 1727 AWG 18 600V 250°C (blanc)
OMERIN or equivalent

Terminal: Splice 25863411131 Grote Hartmann or equivalent

Specifications:

Nominal voltage: 400 V

Wattage: 2500 W \pm 5%

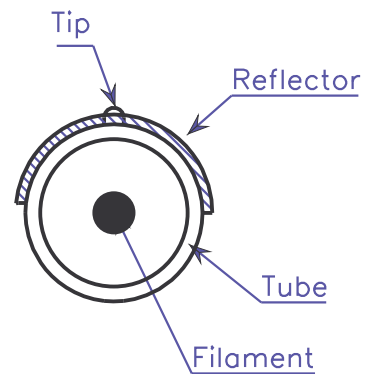
Average life: 5000 Hrs (with AC power supply, 50 or 60 Hz,
continuously at room temperature and free from vibration)

Lighting position: Horizontal \pm 4°

Tc 2650 K \pm 100

Strength test:

- Wire harness shall withstand tensile load of 5 Kgf in lamp axis direction.
- Insulator base shall withstand tensile load of 1 Kgf in lamp axis direction.



Type: InfraRed Halogen Lamp Heater
JHC 400V 2500W 500 NH

Modif.:	1	2	
Date:	08-03-05	18-01-06	

Date: 06-03-03	TOSHIBA LIGHTING PRODUCTS (France) S.A.	Version EM-204	Comments	Modif cable type (*)	Updated
-------------------	--	-------------------	----------	-------------------------------	---------