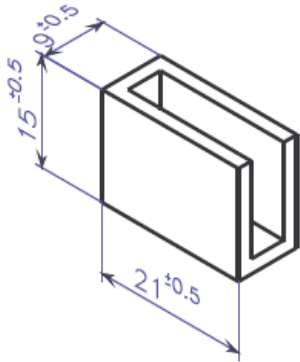
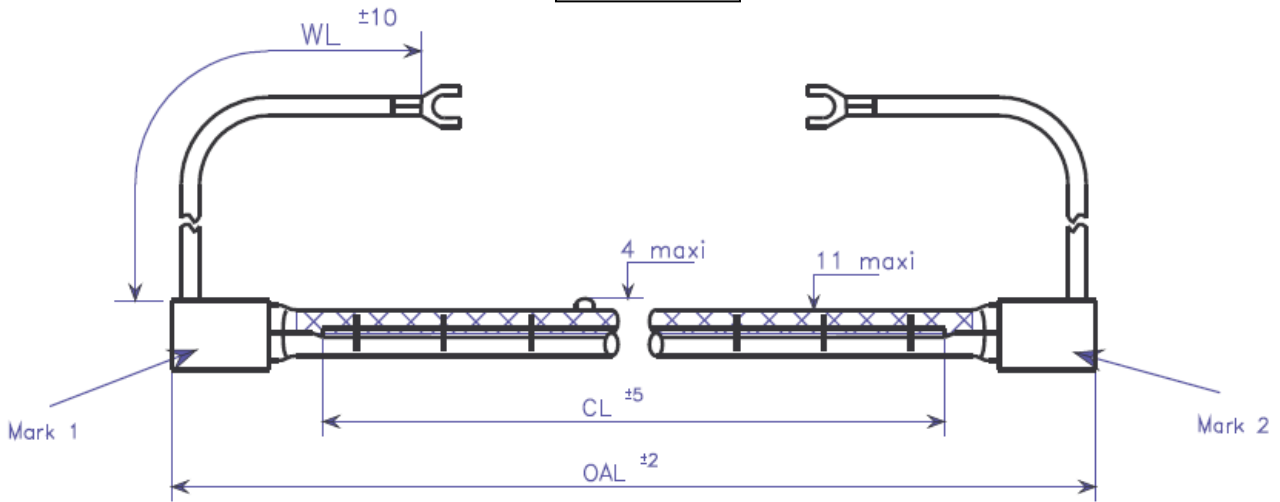


# KRONES



OAL	355		
CL	280	Mark 1	TOSHIBA France + lot
WL	200	Mark 2	JHC400V3000W280BH

**Wire:** SILIFLON UL 1727 AWG 18 600V 250°C (blanc)  
OMERIN or equivalent

**Terminal:** Fork Ø5 mm AMP 180 396-2 or equivalent

**Specifications:**

Nominal voltage: 400 V

Wattage: 3000 W ± 5%

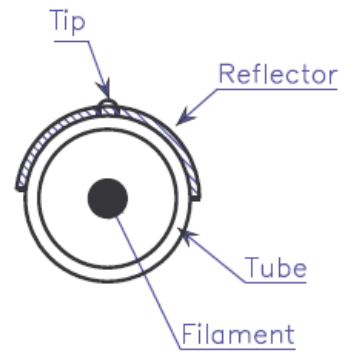
Average life: 5000 Hrs (with AC power supply, 50 or 60 Hz,  
continuously at room temperature and free from vibration)

Lighting position: Horizontal ± 4°

Tc 2700 K

**Strength test:**

- Wire harness shall withstand tensile load of 5 Kgf in lamp axis direction.
- Insulator base shall withstand tensile load of 5 Kgf in lamp axis direction.



Type: InfraRed Halogen Lamp Heater  
JHC 400V 3000W 280 BH

Modif.: 1

Date: 07-12-05