



DMGT® Ledlight Rambo Industrial (HongKong) Limited



5050 SMD RGB LED Strip(RE-Waterproof)

Features :

- ✧ 1000mm*10mm/12mm SMD Light Ribbon(60PCS LED/M)
- ✧ Working Voltage: DC12 V
- ✧ Working Current: 1000-1100mA
- ✧ LED View Angle: 120 DEG
- ✧ Grade of Waterproof :Top dispensing water(IP65), U-shaped tube waterproof(IP68)
- ✧ Package:5meters /Roll

Applications:

- ✧ Cars, boats
- ✧ Bars, clubs
- ✧ Swimming pools, fountains
- ✧ Cove decoration
- ✧ Furniture lighting
- ✧ Kitchen lighting
- ✧ Light box and sign box

Website: <http://www.DMGT-ledlight.com>

Tel: 86-13670050434

E-mail :frank@rambotech.com

Fax: 86-755-82580472





Rambo Industrial (HongKong) Limited



Absolute Maximum Rating at TA=25°C

Parameter	Symbol	Absolute Maximum Rating	Unit
Forward Current	IF	1500	mA
Power Dissipation	PD	14.4	W
Electrostatic discharge	ESD	800	V
Operating Temperature	Topr	-25~+60	°C
Storage Temperature	Tstg	-40~+80	°C

Electrical / Optical Characteristics at TA=25°C

Part Number	Color	Led Qty	Led Work Current	Wave Length	Luminous Flux	Packing
DM-FPC100C50-60M	□Red	60	340-380mA	625-630nm	270-350Lm	5meters/reel
	□Blue		340-380mA	465-470nm		
	□Green		340-380mA	515-520nm		

Website: <http://www.DMGT-ledlight.com>

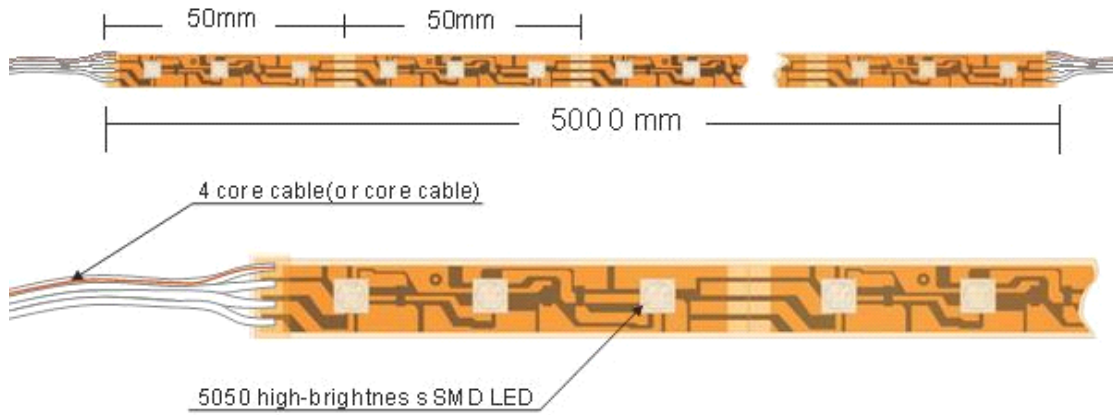
Tel: 86-13670050434

E-mail :frank@rambotech.com

Fax: 86-755-82580472

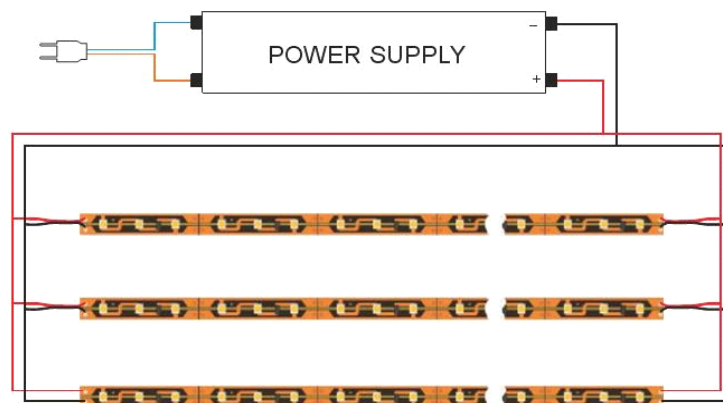


Ribbon series : 60LED/METER

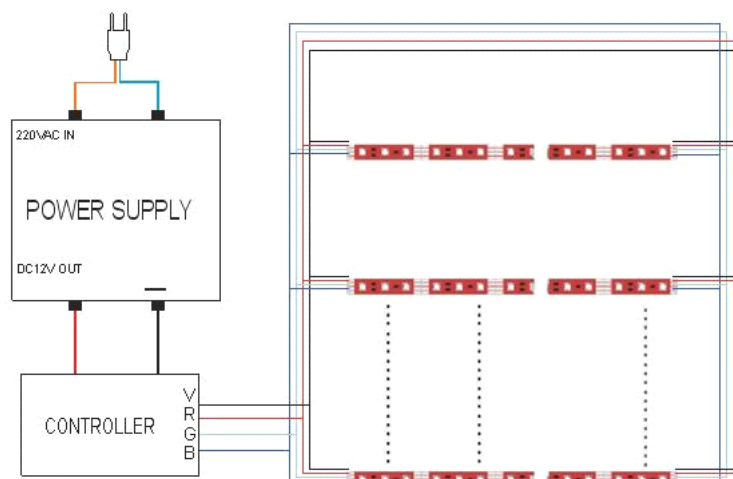


How to connect flexible strips

Below shows you how to connect the Flexible strip to power supplies.



Below shows you how to connect the flexible strip(RGB) to power supplies.



Website: <http://www.DMGT-ledlight.com>

Tel: 86-13670050434

E-mail :frank@rambotech.com

Fax: 86-755-82580472

