



Rambo Industrial (HongKong) Limited



## LED T8 Fixture (Ø30mm) series

### Features:

DM-T8 series is energy saving and long life lighting product, newly developed and produced by Rambo, available in standard length and color temperature, Made of SMD LEDs, Aluminium type circuit board. It features long lifespan, energy efficiency and environmentally friendliness.

### Product Description:

1. Use 3528 SMD LED as light source;  
The light attenuation of the SMD LED is better than DIP LED
2. Use aluminum circuit board; (MCPCB)  
The heat dissipation ability of the MCPCB is better than FR4;
3. using aluminum alloy shell, with transparent cover;  
Have good heat dissipation ability and excellent light output.
4. Embedded constant current driver power supply;
5. The standard 3 foot length, compatible with the traditional fluorescent lamp
6. AC220/AC110 input
8. 600mm(9W 144led), 900mm(15W 200led), 1200mm(18W 276led),  
1500mm(22W 336led)

Pmma optical shade: transparent cover, frost cover



### PCB is Aluminium Series(Ø30 T8 85-265V PF>0.9)

NO.	Voltage	Power	Angle	LM	Fixture size	<500PCS/Price(\$)
DM-T8-6353A-9W	110-240V	9W/144led3528	120°	700	Ø30*604mm	
DM-T8-9353A-15W	110-240V	15W/200led3528	120°	970	Ø30*904mm	
DM-T8-12353A-18W	110-240V	18W/276led3528	120°	1300	Ø30*1214mm	
DM-T8-15353A-22W	110-240V	22W/336led3528	120°	1680	Ø30*1514mm	

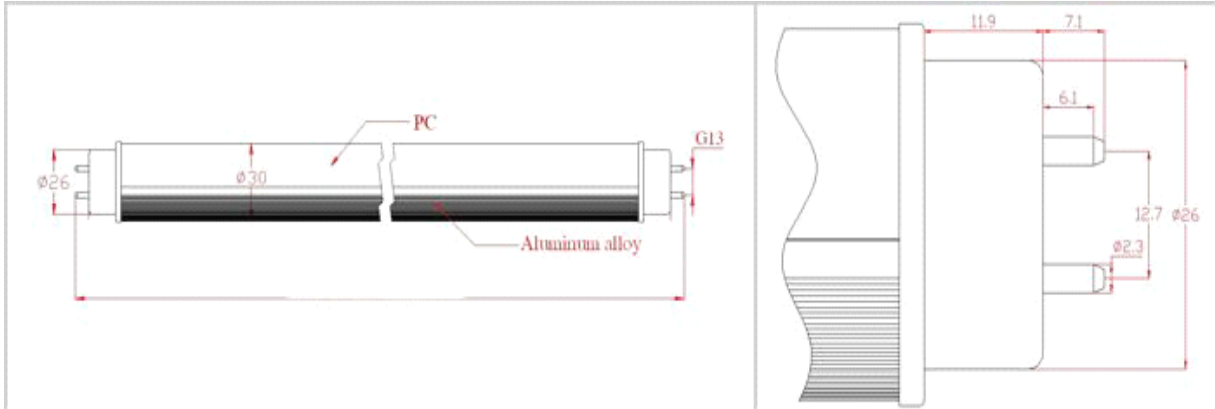
Website: <http://www.DMGT-ledlight.com>

Tel: 86-13670050434

E-mail :frank@rambotech.com

Fax: 86-755-82580472

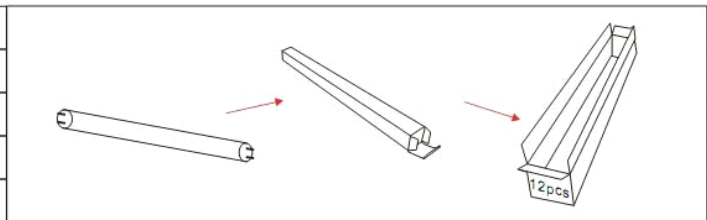




### Packing information

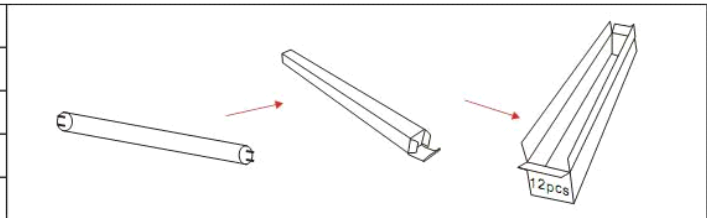
600mm

Individual Net Weigh	207g
Packing Qty	12pcs/carton
Net weight	2484g
Gross weight	3407g
Outside packing carton	660*156*122mm



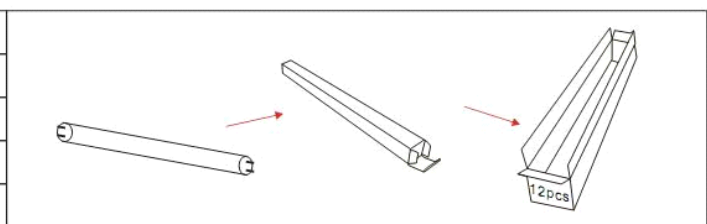
1200mm

Individual Net Weigh	399g
Packing Qty	12pcs/carton
Net weight	4788g
Gross weight	6679g
Outside packing carton	1260*156*122mm



1500mm

Individual Net Weigh	474g
Packing Qty	12pcs/carton
Net weight	5688g
Gross weight	7859g
Outside packing carton	1560*156*122mm



Website: <http://www.DMGT-ledlight.com>

Tel: 86-13670050434

E-mail :frank@rambotech.com

Fax: 86-755-82580472

