

# RAVAS-2100 EXi

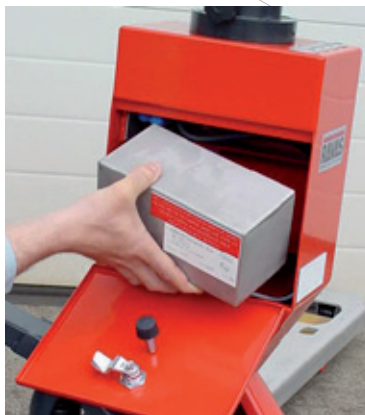
Explosion proof pallet truck scale

## BENEFITS

- Certified ATEX II 2 G EEx ia IIB T4
- Pivoting indicator
- Big push buttons
- Exchangeable battery pack
- Stainless steel forks
- Antistatic wheels
- For mixing and batching in zone 1/21

Top quality

For hazardous areas



# RAVAS

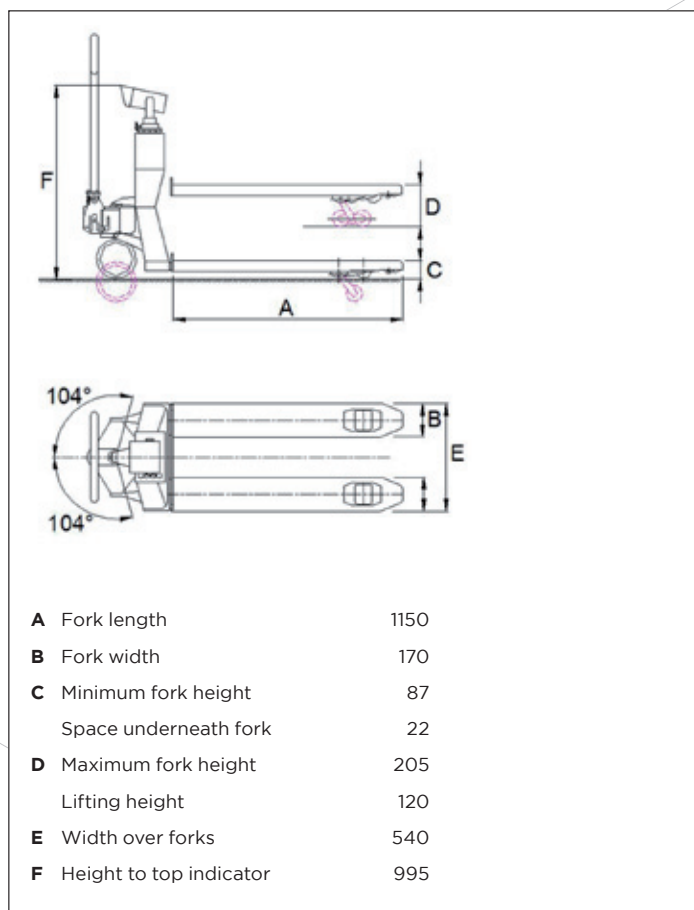
## FUNCTIONS

- Automatic and manual zero correction
- Gross/net weighing
- Automatic and manual tare up to 200 kg
- Totalling with sequence number
- Error messages in display
- Automatic switch-off after 30 minutes of non-use
- Low battery indication 5 hours before battery is empty

## STANDARD SPECIFICATIONS

- Weighing capacity 2,200 kg
- Graduation multirange:
  - 0 - 200 kg: graduation 0.2 kg
  - 200 - 500 kg: graduation 0.5 kg
  - 500 - 2,200 kg: graduation 1 kg
- Max. tolerance 0.1% of the load lifted
- Certification II 2 G EEx ia IIB T4, approval number KEMA 03ATEX1096
- Display pivoting and tilting, LCD, digit height 18 mm
- Keypad foil keypad and push buttons, 3 function keys, on/off key, easy to clean, resistant to chemicals
- Protection class load cells IP67, indicator IP65
- Fork shoes stainless steel
- Battery intrinsically safe, approval number KEMA 02ATEX2343 BU-2100-Exi, 8Vdc/3.5 Ah, rechargeable, exchangeable, maintenance free
- Battery life 100 hours, low battery indication 5 hours before automatic switch-off
- Charger 230V/8Vdc - 1 A; for use outside hazardous zone
- Charging time approximately 8 hours
- Steering wheels rubber, antistatic
- Loading wheels polyurethane, single
- Colour red (RAL 3000), epoxy painted
- Own weight 130 kg
- Pump quick lift

## DIMENSIONS IN MM



For approved versions, class OIML III: European approval no. T2782, switch-off of display when tilting more than 2°.

Graduation: multirange 0.2/0.5/1 kg, or one of the following fixed graduations:

- 1,000 divisions : 1.0/1,000 kg or 2.0/2,000 kg
- 2,000 divisions : 0.5/1,000 kg or 1.0/2,000 kg
- 3,000 divisions : 0.1/300 kg or 0.2/600 kg or 0.5/1,500 kg



## PREMIUM OPTIONS\*

- Extra exchangeable battery pack
- Integrated Bluetooth feature for data transfer to PDA
- Legal for trade version, OIML III
- Full stainless steel truck

## OPTIONS\*

- Multirange graduation 0.1/0.2/0.5 kg
- Footbrake
- Fork lengths: 950 - 2,500 mm
- Width over forks 700 mm
- Capacity 3,000 kg (graduation 1 kg)

\* The use of options may change related specifications.

## RAVAS Europe B.V.

P.O. Box 2023, NL-5300 CA Zaltbommel, The Netherlands  
 T. +31 (0)418 51 52 20, F. +31 (0)418 51 53 20  
 backoffice@ravas.com, www.ravas.com

# RAVAS