

## Product properties



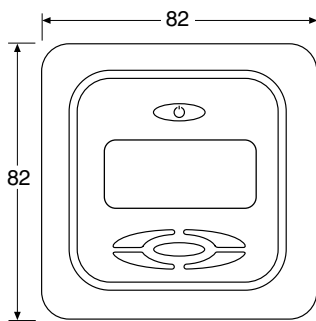
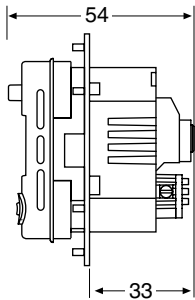
Digital clock thermostat with big, illuminated display for floor sensing or room sensing applications including min and max floor temperature limitation function

- Automatic sensing of sensor mode (floor or room)
- Manual ON/OFF by 2-pole main power switch
- Blue back light display
- Built-in timer function
  - 4 selectable pre-programmes
  - 1 user specific programme daily editable in time blocks of 30 minutes
- Adaptive function in order to reach the desired temperature at the desired time
- Booster function for fast heat up (+5°C for max 2 hours)
- Read-out of actual floor sensor temperature
- Monitoring of floor or room sensor. In the event of failure of an active sensor, the underfloor heating system is switched off
- Possibility to lock the settings eg public buildings

## Operating modes

- Room sensing only
- Floor sensing only
- Room sensing with min/max floor temperature limitation e.g usage under wooden floors

## Technical Data



|                                |  |
|--------------------------------|--|
| Supply voltage                 | 230VAC +10%, -15%, 50/60Hz   |
| Main switch                    | DPDT 16A, 3600W  |
| Relay output- heating cable    | 230 V, max 13A   |
| Temperature range floor sensor | +5°C to +35°C  |
| Temperature range room sensor  | +5°C to +40°   |
| Limitation of range            | low +5°C/ high +35°C   |
| Ambient temperature-operation  | 0°C to +40°C   |
| Ambient temperature-transport  | -20°C to +50°C   |
| Accuracy-floor/room sensor     | +/- 0,5°C  |
| Switching hysteresis           | 0,5°C  |
| Control modes                  | Floor or room sensing or room sensing with limiter                           |
| Clock function                 | 4 pre-programmes<br>1 user-specific programme daily programmable each 30 min |
| Back-up for set values         | non-volatile memory  |
| Back-up for time and date      | 24 hrs   |
| Protection class               | IP21   |
| Terminals                      | max. 2,5 mm <sup>2</sup>   |
| Floor sensor with 3 m cable    | NTC, 10KΩ/25°C   |
| Max length of floor sensor     | 100 m, 2 x 1,5 mm <sup>2</sup> (230 VAC cable)                               |
| Diameter sensor cable          | 4 mm   |
| Diameter sensor tip            | 6 mm, length 32 mm   |
| Dimensions with frame          | H 82 x W 82 x D 54 mm  |
| Colour                         | Polar white RAL 9010   |
| Approvals                      | Semko, NF, CE  |

## System Information

Raychem Underfloor Heating thermostats are used with

- T2QuickNet mats 90 W/m<sup>2</sup> and 160 W/m<sup>2</sup>
- T2Red–self-regulating heating cable
- T2Reflecta+T2Red
- T2Blue 10 W/m<sup>2</sup> and T2Blue 20 W/m<sup>2</sup>

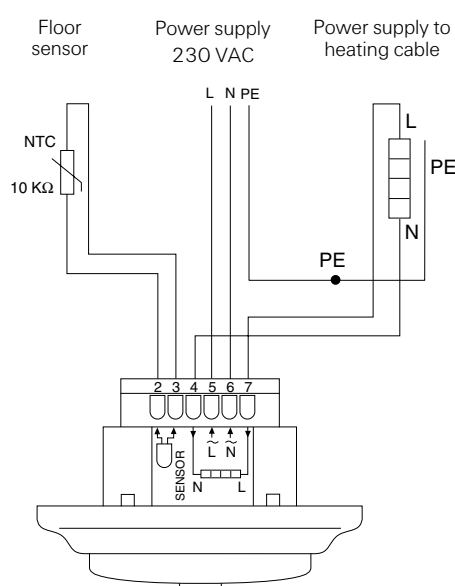
## Compatibility with wall boxes

An extra square front plate for use with square frames is standard provided.

| Switch manufacturer | Light switch product range                               |
|---------------------|--|
| Busch + Jäger       | Reflex SI, Jussi   |
| Eljo                | Trend  |
| Elko                | RS, L571   |
| Gira                | ST55 Standard, E2  |
| Jung                | AS   |
| Merten              | M-Plan, M-Smart, M-Arc, Atelier, M-Antik, Thermo, M-STAR |

## Wiring diagram

### Direct connection, one heating cable



## Ordering information

R-TC

Part number 1244-002513

## Accessories

Silver-R-TC silver coloured front parts  
Sensor-N10K spare floor sensor

Part number 1244-003494  
Part number 1244-002952

Raychem is a registered trademark of Tyco Thermal Controls.

All of the above information, including illustrations, is believed to be reliable. Users however, should independently evaluate the suitability of each product for their application. Tyco Thermal Controls makes no warranties as to the accuracy or completeness of the information and disclaims any liability regarding its use. Tyco Thermal Controls only obligations are those in the Standard Terms and Conditions of Sale for this product and in no case will Tyco Thermal Controls be liable for any incidental, indirect or consequential damages arising from the sale, resale, use or misuse of the product. Tyco Thermal Controls Specifications are subject to change without notice. In addition Tyco Thermal Controls reserves the right to make changes in materials or processing, without notification to the Buyer, which do not affect compliance with any applicable specification.

**tyco**  
Thermal Controls

For more information, contact your local representative.

[www.raychemfloorheating.com](http://www.raychemfloorheating.com)

**United Kingdom**  
Free phone 0800 96 90 13  
Free fax 0800 96 86 24  
salesUK@tycothermal.com

**Ireland**  
Free phone 1800 654 241  
Free fax 1800 654 240  
salesIE@tycothermal.com