

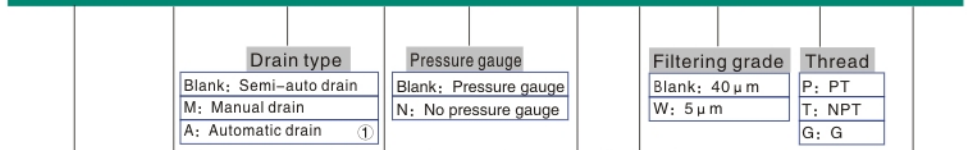


Specification

Model	GFC200-06	GFC200-08	GFC300-08	GFC300-10	GFC300-15	GFC400-10	GFC400-15	GFC600-20	GFC600-25	
Fluid	Air									
Port size	1/8"	1/4"	1/4"	3/8"	1/2"	3/8"	1/2"	3/4"	1"	
Filtering grade	40 μm or 5 μm									
Pressure range	Semi-auto and automatic drain: 0.15~0.9MPa(20~130Psi)									
	Manual drain: 0.05~0.9MPa(7~130Psi)									
Proof pressure	1.5 MPa(215Psi)									
Temperature range	-20~70°C									
Capacity of drain bowl	10CC		40CC			80CC		230CC		
Capacity of oil bowl	25CC		75CC			160CC		380CC		
Recommended lubricant	ISO VG 32 or equivalent									
Weight	430g			980g			1950g		4320g	
Constitute	Filter-Regulator	GFR200-06	GFR200-08	GFR300-08	GFR300-10	GFR300-15	GFR400-10	GFR400-15	GFR600-20	GFR600-25
	Lubricator	GL200-06	GL200-08	GL300-08	GL300-10	GL300-15	GL400-10	GL400-15	GL600-20	GL600-25

Ordering code

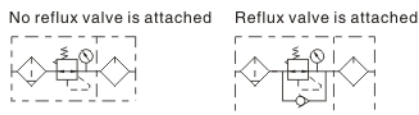
GFC200 — 08 — M — L — □ — F 1 — W — P — K



Model	Port size	Type code	Pressure gauge shape	Scale	Code of reflux valve
GFC200: G200 Series FR.L. unit	06: 1/8" 08: 1/4"	Blank: Standard L: Lower pressure ^②	F: Square C: Circular	1: MPa 2: psi 3: bar	Blank: No reflux valve is attached K: Reflux valve is attached
GFC300: G300 Series FR.L. unit	08: 1/4" 10: 3/8" 15: 1/2"				
GFC400: G400 Series FR.L. unit	10: 3/8" 15: 1/2"				
GFC600: G600 Series FR.L. unit	20: 3/4" 25: 1"				

① The function of automatic drain is not available for GFC200 series;
② The maximum work pressure of lower pressure type is 0.4MPa(58psi).

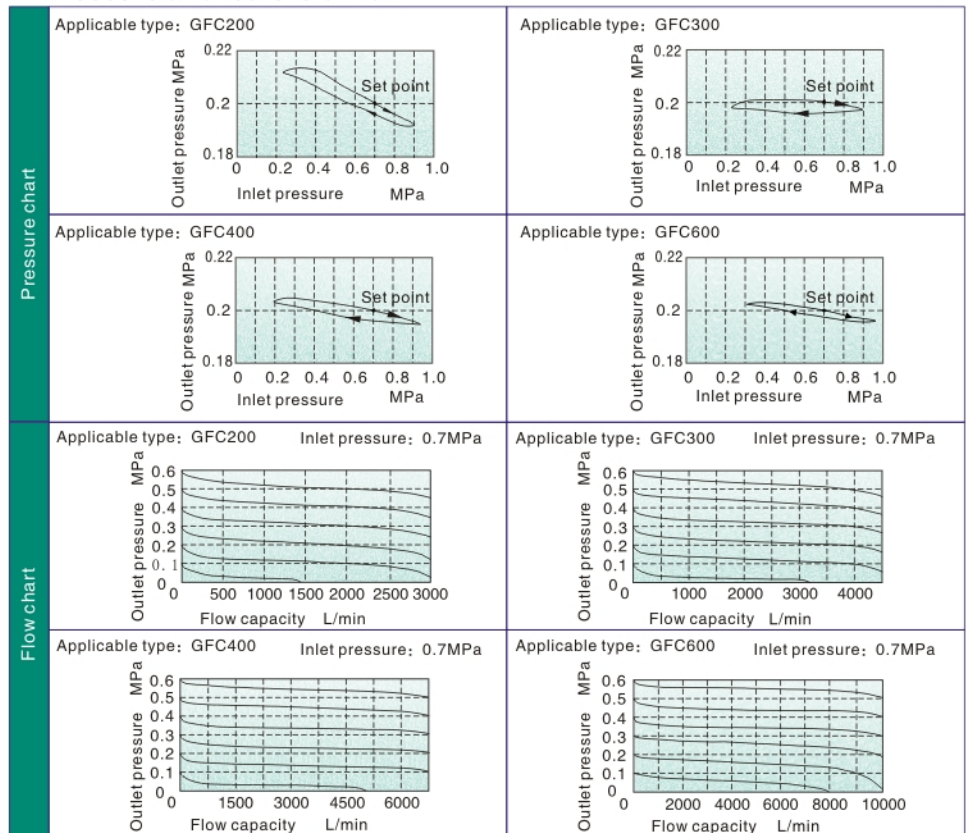
Symbol



Product feature

1. Quick and reliable fixation makes it convenient to install and use;
2. The performance of pressure adjustment is reliable with high precision;
3. The efficiency of eliminating moisture and solid grain is high;
4. Three drain types are available: manual drain, semi-auto drain and automatic drain.

Pressure and feature of flow



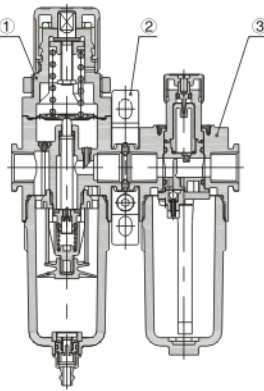
Preparation unit—FR.L. combination

GFC Series

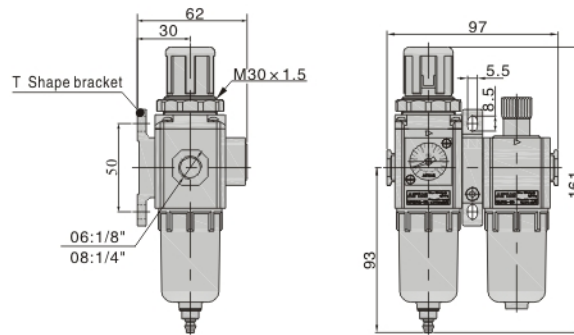
Inner structure

Dimensions

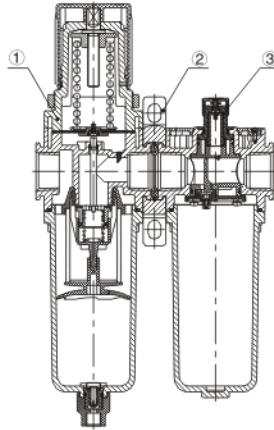
GFC200



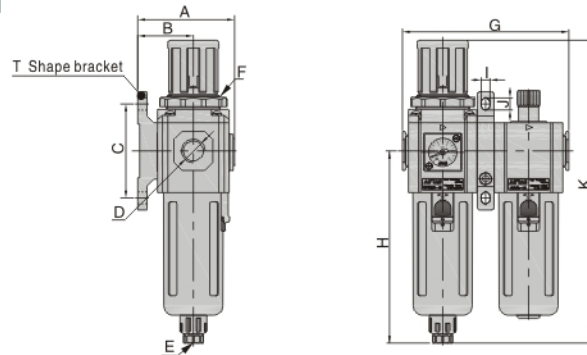
GFC200



GFC600



GFC300 GFC400



NO.	Item
①	G series filter-regulator
②	Bracket
③	G series lubricator

Model/Item	A	B	C	D	E	F	G	H	I	J	K
GFC300-08	72	41.5	70	1/4"	G1/8	M40 x 1.5	124	143	6.5	9	225.5
GFC300-10	72	41.5	70	3/8"	G1/8	M40 x 1.5	124	143	6.5	9	225.5
GFC300-15	72	41.5	70	1/2"	G1/8	M40 x 1.5	124	143	6.5	9	225.5
GFC400-10	89	50	80	3/8"	G1/4	M55 x 2.0	164	165.5	8.5	12	269.5
GFC400-15	89	50	80	1/2"	G1/4	M55 x 2.0	164	165.5	8.5	12	269.5

GFC600

