

## TECHNICAL SPECIFICATION

### All-purpose limit switch – series TZ-6xxx

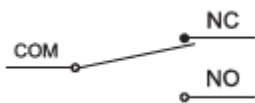
#### Description

The all-purpose limit switches are installed on transport lines, conveyors and other linear progressive motion machines. The miniature limit switch is mounted in an aluminum shell, resistant to vibrations, lubricants and water.

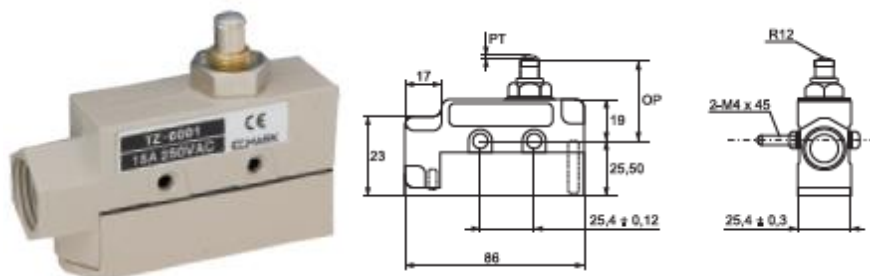
#### Technical data

- Dielectric strength: 1000V AC
- Insulating resistance: 100M $\omega$
- Contact resistance: 15m $\Omega$
- Electrical endurance (number of cycles): 500 000 with active load
- Mechanical endurance (number of cycles): 10 000 000
- Gearing speed: 0.1mm/s to 0.5 m/s
- Rated voltage: 230V
- IP code: IP65
- Cable input: cable gland PG11
- Section of power supply conductor: up to 1.5mm<sup>2</sup>

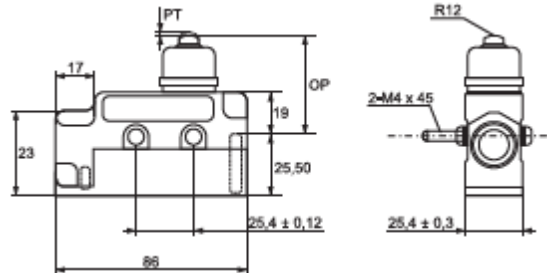
#### Type of contact system



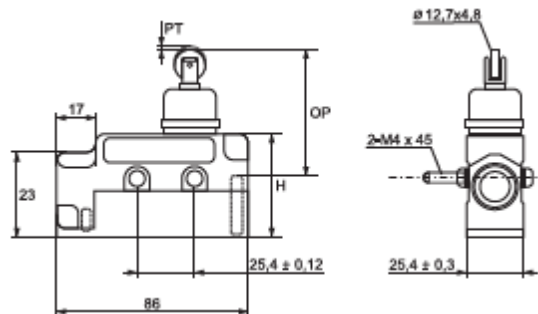
#### Variants and dimensions



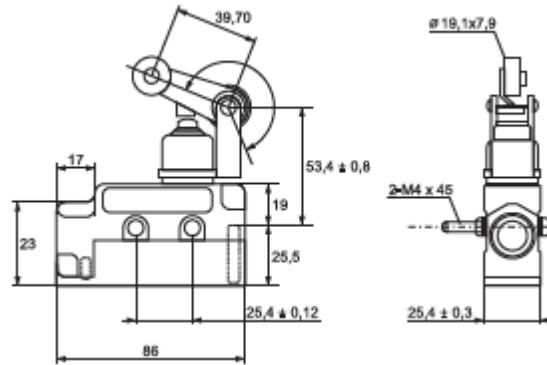
Type	Type of the head	Power of starting (g)	Power of release (g)	Switching position	General movement	Rated current	Packing / Box (pcs)	Catalogue number
TZ-6001	Metal cylinder	350g	115g	0.5mm	5.5mm	15A-active 5A-inductive	1 / 50	466001



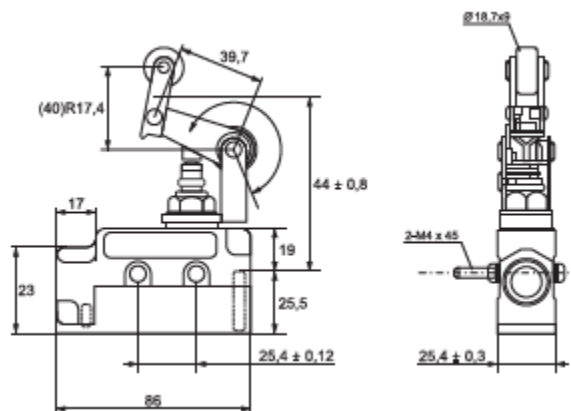
Type	Type of the head	Power of starting (g)	Power of release (g)	Switching position	General movement	Rated current	Packing / Box (pcs)	Catalogue number
TZ-6101	Oil-resistant metal cylinder	800g	240g	2mm	5mm	15A-active 5A-inductive	1 / 50	466101



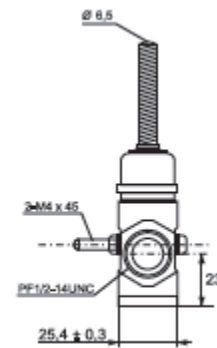
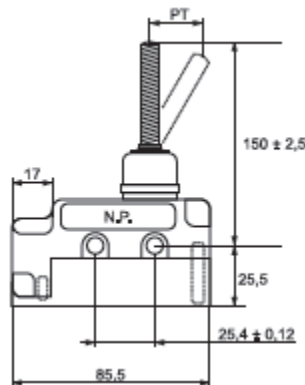
Type	Type of the head	Power of starting (g)	Power of release (g)	Switching position	General movement	Rated current	Packing / Box (pcs)	Catalogue number
TZ-6102	Oil-resistant cylinder with metal roll	500g	100g	1mm	3.5mm	15-active 5a-inductive	1 / 50	466102



Type	Type of the head	Power of starting (g)	Power of release (g)	Switching position	General movement	Rated current	Packing / Box (pcs)	Catalogue number
TZ-6104	Oil-resistant horizontal lever with metal roll	640g	230g	5mm	6mm	15A-active 5A-inductive	1 / 50	466104



Type	Type of the head	Power of starting (g)	Power of release (g)	Switching position	General movement	Rated current	Packing / Box (pcs)	Catalogue number
TZ-6143	Oil-resistant vertical lever with metal roll	640g	230g	5mm	6mm	15-active 5a-inactive	1 / 50	466143



Type	Type of the head	Power of starting (g)	Power of release (g)	Switching position	General movement	Rated current	Packing / Box (pcs)	Catalogue number
TZ-6106	Spring lever	150g	-	20°	-	-	1 / 50	466106

## Standards

EN 60947-1; EN 60947-5-1

