

#### Documents corresponding to the product:

Standard EN 60947-1; EN 60947-2; IEC 947-2



### Moulded case circuit breaker(MCCB) DW1 series

**5** YEAR WARRANTY \*for industrial usage, 3 years warranty

The DW1 series is an intelligent type circuit breaker used to control and protect low voltage electrical distribution network. Possibility to set the parameters of the circuit protection, built in under voltage release, remote control, earth protection and load monitoring.

#### Functions:

- switching on/off heavy loaded electrical circuits
- breaking of electrical circuits and control of powerful consumers
- used as a main breaker in housing or industrial distributing installations
- endures high currents of short circuit in the protected circuit
- remarkable with high reliability of current characteristics
- motor control
- mounted auxiliary devices for automation - under voltage release, earth protection, intelligent controlling block with a possibility for a choice of the protected function

#### Technical data:

- Rated operating voltage: 690V; 50/60Hz
- Isolating voltage: 690V
- Surge voltage wear resistance: 2kV
- Joining terminal: bolt connection with 4 bolts to the power supply rail
- Connecting:
  - copper rails
  - busway connection – at the back
- Electrical wear resistance (number of cycles):  $\geq 2000$

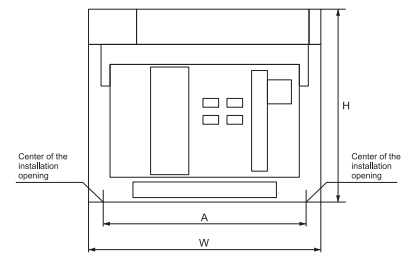
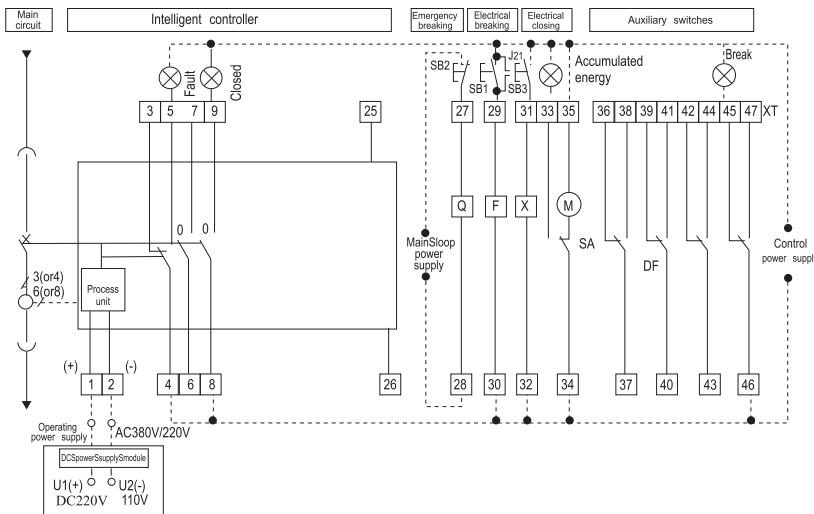
- Mechanical wear resistance (number of cycles):  $\geq 9000$
- IP code: IP54
- Mounting:
  - clamping with bolts
  - mounting position: vertical gradient – maximum 5°

- Plastic material of UV rays and non-flammable
- Test button
- Ambient temperature: -10°C + 65°C
- Installation altitude: up to 2000m

#### Basic protective functions:

- Overload protection with long time delay
- Short circuit protection with short time delay, time inversion limit
- Short circuit protection with short time delay, time fixed limit
- Instantaneous short circuit protection
- Earth protection function
- Full stability function
- "Overload alarm" function
- Test function
- Auto diagnostics function

A commutation type of breakers with RS 485 connection for duplex transmission of all function parameters, adjustment and data can also be produced at client's order and delivery terms agreement.



| Type              | Dimensions |     |     |
|-------------------|------------|-----|-----|
|                   | A          | H   | W   |
| DW1-2000 FIXED    | 362        | 402 | 373 |
| DW1-3200 FIXED    | 422        | 402 | 363 |
| DW1-2000 DRAW-OUT | 375        | 432 | 461 |
| DW1-3200 DRAW-OUT | 435        | 432 | 494 |
| DW1-4000 DRAW-OUT | 550        | 432 | 494 |
| DW1-6300 DRAW-OUT | 813        | 452 | 504 |

| Type              | Rated current In (A) | Rated voltage Un (V) | Breaking capacity (kA) |       | Electrical wear resistance (number of cycles) | Mechanical wear resistance (number of cycles) | Packing/Box (pcs) | Catalogue number |
|-------------------|----------------------|----------------------|------------------------|-------|---|---|-------------------|------------------|
|                   |                      |                      | 400 V                  | 690 V |   |   |                   |                  |
| DW1-2000 FIXED    | 1600                 | AC400V               | 80                     | 50    | 2000  | 9000  | 1/1               | <b>44208</b>     |
| DW1-2000 FIXED    | 2000                 | AC400V               | 80                     | 50    | 2000  | 9000  | 1/1               | <b>44209</b>     |
| DW1-3200 FIXED    | 2500                 | AC400V               | 100                    | 65    | 2000  | 9000  | 1/1               | <b>44255</b>     |
| DW1-3200 FIXED    | 3200                 | AC400V               | 100                    | 65    | 2000  | 9000  | 1/1               | <b>44329</b>     |
| DW1-2000 DRAW-OUT | 1600                 | AC400V               | 80                     | 50    | 2000  | 9000  | 1/1               | <b>44208DO</b>   |
| DW1-2000 DRAW-OUT | 2000                 | AC400V               | 80                     | 50    | 2000  | 9000  | 1/1               | <b>44209DO</b>   |
| DW1-3200 DRAW-OUT | 2500                 | AC400V               | 100                    | 65    | 2000  | 9000  | 1/1               | <b>44255DO</b>   |
| DW1-4000 DRAW-OUT | 3600                 | AC400V               | 100                    | 75    | 2000  | 9000  | 1/1               | <b>44436DO</b>   |
| DW1-4000 DRAW-OUT | 4000                 | AC400V               | 100                    | 75    | 2000  | 9000  | 1/1               | <b>44440DO</b>   |
| DW1-6300 DRAW-OUT | 5000                 | AC400V               | 120                    | 75    | 2000  | 9000  | 1/1               | <b>44650DO</b>   |
| DW1-6300 DRAW-OUT | 6300                 | AC400V               | 120                    | 75    | 2000  | 9000  | 1/1               | <b>44663DO</b>   |