



2015/07 Garaventa Lift reserves the right to change specifications without prior notice.



Garaventa Lift your ideal partner to create tailored solutions

**Authorized Garaventa Partner**

## Contact us today

**Garaventalift AG**

Fännring, 2  
CH-6403 Küssnacht am Rigi

T +41 (0)41 854 78 80

info@garaventalift.ch  
www.garaventaliftgroup.com

# Artira

Inclined Platform Lift  
for straight and turning indoor and outdoor stairways



**Artira** – The Artira inclined platform lift provides an advance solution for straight, turning, and radiating stairways. Suitable for indoor and outdoor applications.

ARTIRA offers all necessary advantages and comfort of a modern inclined lift and can be installed in commercial and residential applications.

- Soft start and landing
- Safety anti-collision sensors detect obstructions on the stairs
- Safety speed control system
- Easy to use

- Rated load: 250 Kg (Optional 300 Kg)
- Drive system: Electrical
- Max speed: 0.15 m/s

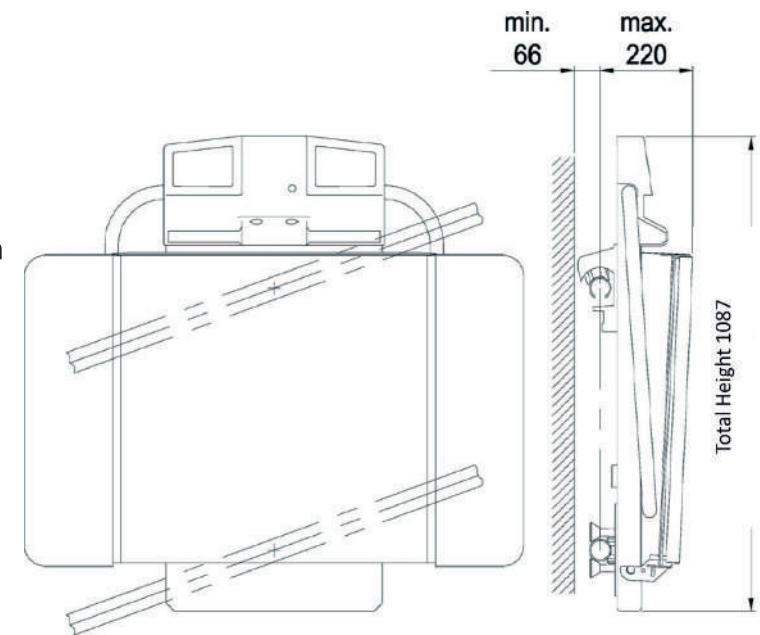
Standard platform sizes:

- 640 x 680 mm
- 700 x 750 mm
- 800 x 800 mm
- 800 x 900 mm
- 800 x 1050 mm
- 800 x 1220 mm
- Custom dimensions require previous verification

The GSL Artira occupies little space. The discreet design allows integration into an architectural context. The lift does not create a passage obstacle on the stairways when is not in use.

The GSL Artira is available in manual and automatic versions, and moves linearly and silent allowing a comfortable ride from one floor to another. The Artira lift is safe and requires minimum maintenance. To guarantee safety and reliability, we have preferred to power by Mains directly.

The lift use is extremely intuitive. It guides the user through the operation sequence by illuminating the appropriate button to push. Fold and unfold functions are fully automated and work with a simple momentary push of the illuminated button.



For outdoor applications, rails are hot galvanised for high resistance to extreme atmospherical conditions



Elegant tube rail system design



Folding seat (optional) can be folded up when not in use



The Smart-Lite technology makes extremely simple to use the lift, and the possibility of error is minimal



The safety sensors on the platform base, the conveyance, and access ramps protect the user and alert pedestrians of the platform in the stairway



For indoor and outdoor applications is possible to choose as an optional, a custom RAL color

