

# balcony perimeter profile

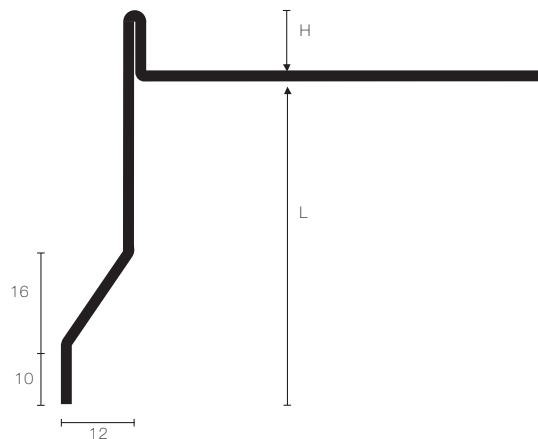
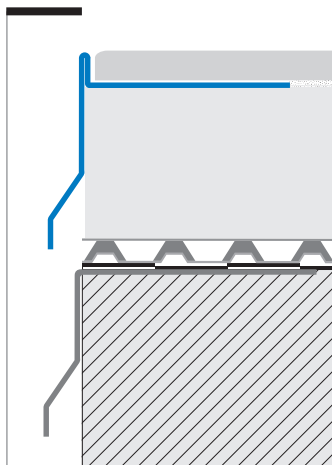
## border+tec™ BBS

Perimeter profile for the finishing and protection of the external cement borders with an upper edging trim designed to frame also the tiled surface where it is laid flush with the screed. The system visible part is curved so as to "bell cast" serving as a water drip element and also protecting DRAINTEC 8 membrane laid under the screed and over the waterproofing layer. Leave the necessary space between the different elements for the thermic expansion covering the gap with the jointing pieces.

Illustrated scale dimension 1:1,2

### INSTALLATION INSTRUCTIONS:

- Choose the profile height correspondent to tile thickness and suitable for the screed depth.
- Position it along the edge of the surface to tile and install it while tiling.



### BORDERTEC BBS-A\* / BCS-A\* Powder Coated Aluminium

Profile coated on its entire surface with polyester powder.

Material: Powder Coated Aluminium

Colours: 5 colours available

Length: 2,70 metres

External connection pieces: Code BBSE / BCSE-A\*

Jointing piece: Code BBSG / BCSG-A\*

H=mm	L = 42 mm	L = 55 mm	L = 75 mm	L = 95 mm
10	BBS 42 A*	BBS 55 A*	BBS 75 A*	BBS 95 A*
12,5	BCS 42 A*	BCS 55 A*	BCS 75 A*	BCS 95 A*

### BORDERTEC BBS-IL / BCS-IL Polished Stainless Steel AISI 304 - DIN 1.4301

Polished Stainless Steel AISI 304 ensures high resistance to most diluted chemical agents.

Material: Polished Stainless Steel AISI 304

Length: 2,70 metres

External connection pieces: Code BBSE / BCSE-IL

Jointing piece: Code BBSG / BCSG-IL

H=mm	L = 42 mm	L = 55 mm	L = 75 mm	L = 95 mm
10	BBS 42 IL	BBS 55 IL	BBS 75 IL	BBS 95 IL
12,5	BCS 42 IL	BCS 55 IL	BCS 75 IL	BCS 95 IL