



English / Englisch

Spare Parts

for the edge-, stair- and corner-sanding machine

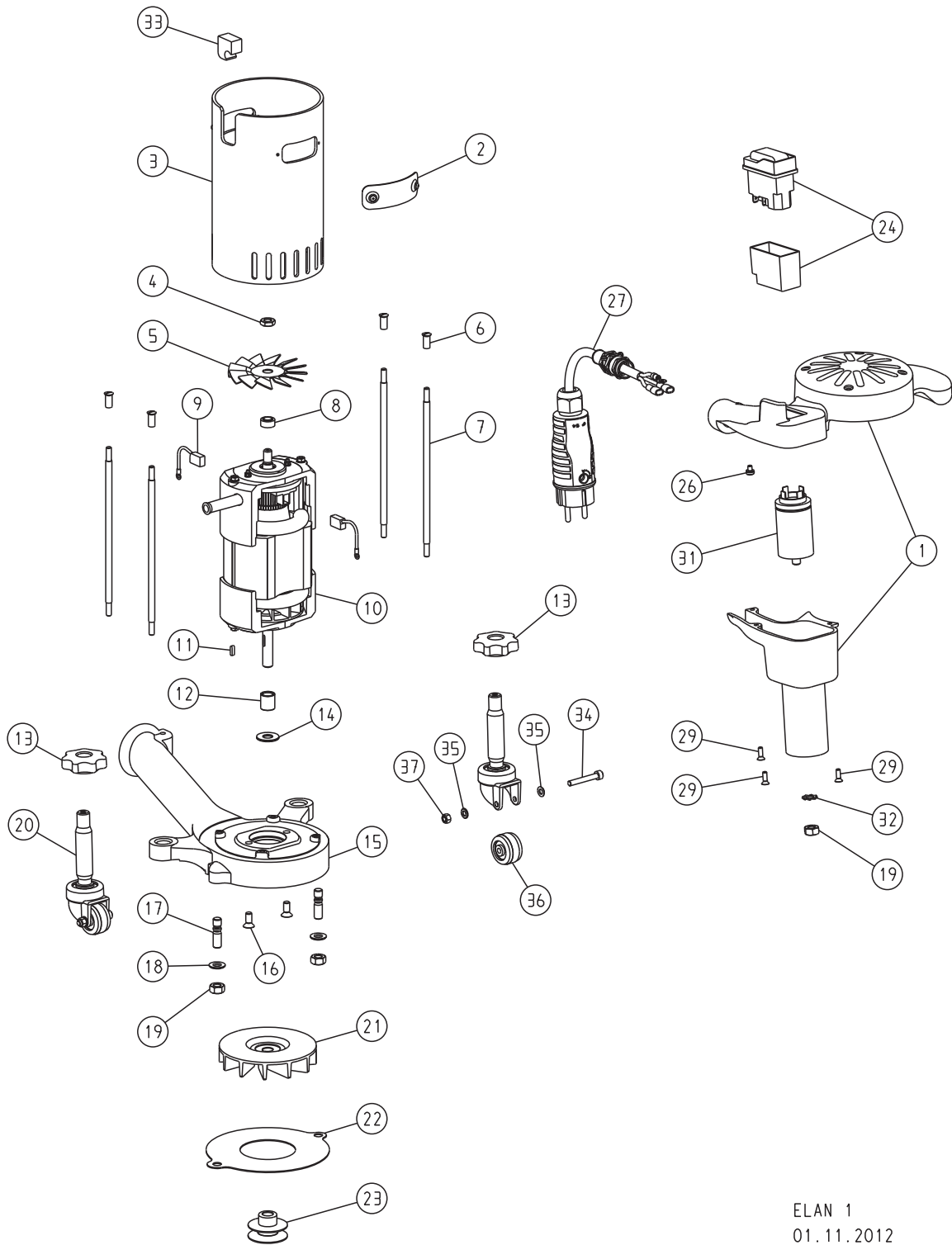
ELAN

Lägler
www.laegler.com



00.350.20.802 01.06.2014

SPARE PARTS

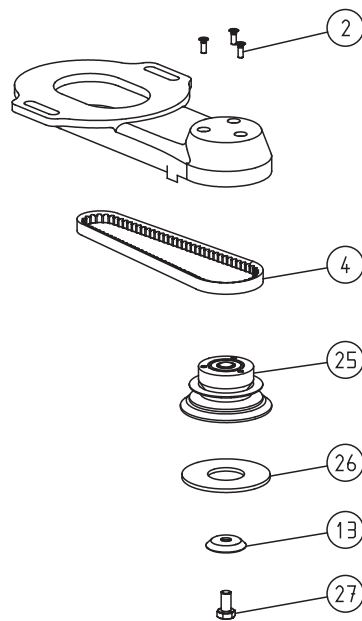
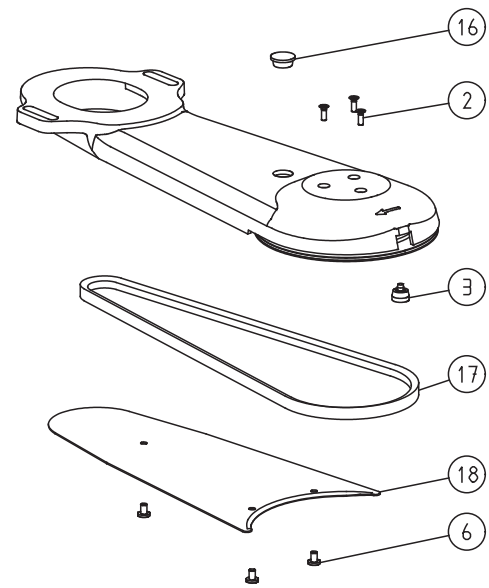
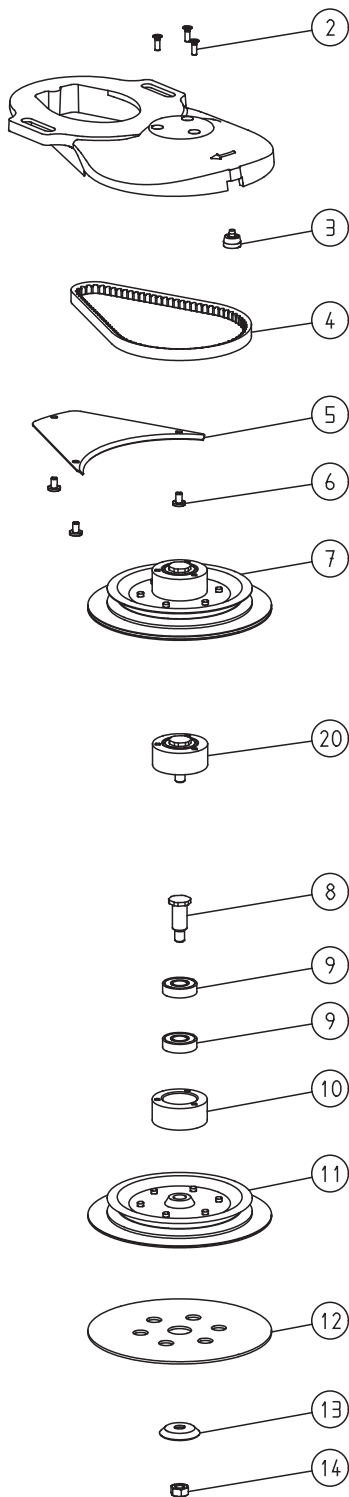


ELAN 1
01.11.2012

SPARE PARTS

| Item | Part number | Description |
|------|---------------|--|
| 1 | 350.05.00.100 | Handle ELAN, complete |
| | 352.05.00.100 | Handle ELAN USA, complete |
| 2 | 350.05.15.100 | Cover, complete |
| 3 | 350.05.10.100 | Casing tube, complete |
| 4 | 0439.1008.800 | Nut, left-handed thread |
| 5 | 350.65.02.100 | Fan blade |
| 6 | 000.50.14.051 | Sleeve nut |
| 7 | 350.01.03.105 | Spacer bolt |
| 8 | 350.65.04.105 | Spacer ring |
| 9 | 350.65.82.105 | Carbon brush ELAN |
| 10 | 350.65.00.200 | Universal motor, 230 V / 50 + 60 CPS |
| | 352.65.00.200 | Universal motor, 110 V / 50 + 60 CPS |
| 11 | 6885.0303.010 | Parallel key |
| 12 | 350.65.06.105 | Spacer bush |
| 13 | 320.05.11.205 | Star grip (lock nut) |
| 14 | 000.10.10.104 | Washer |
| 15 | 350.01.01.100 | Fan housing |
| 16 | 0965.1006.814 | Screw |
| 17 | 0939.1008.020 | Stud |
| 18 | 0125.1008.000 | Washer |
| 19 | 0934.1008.000 | Nut |
| 20 | 320.05.00.200 | Guide roller, complete |
| 21 | 350.65.03.100 | Fan wheel |
| 22 | 350.01.02.100 | Fan cover |
| 23 | 350.65.05.100 | Motor pulley |
| 24 | 000.65.60.255 | Switch 230 V / 50 + 60 CPS with dust cover |
| | 000.65.60.155 | Switch 110 V / 50 + 60 CPS with dust cover |
| | 000.65.62.160 | PVC cap with switch frame |
| 26 | 7985.4004.006 | Screw |
| 27 | 000.65.43.151 | Motor cable 3 x 1.5 mm ² (3 x 0.0023 sq.in.) |
| | 000.65.43.153 | Motor cable 3 x 1.5 mm ² (3 x 0.0023 sq.in.), USA |
| 29 | 7500.1004.812 | Screw |
| 31 | 000.65.18.010 | Interference-free capacitor |
| 32 | 6797.1008.900 | Washer |
| 33 | 350.05.31.100 | Sealing rubber |
| 34 | 0912.1005.035 | Screw |
| 35 | 0125.1005.000 | Washer |
| 36 | 320.05.09.305 | Wheel |
| 37 | 0980.1005.000 | Nut |

SPARE PARTS

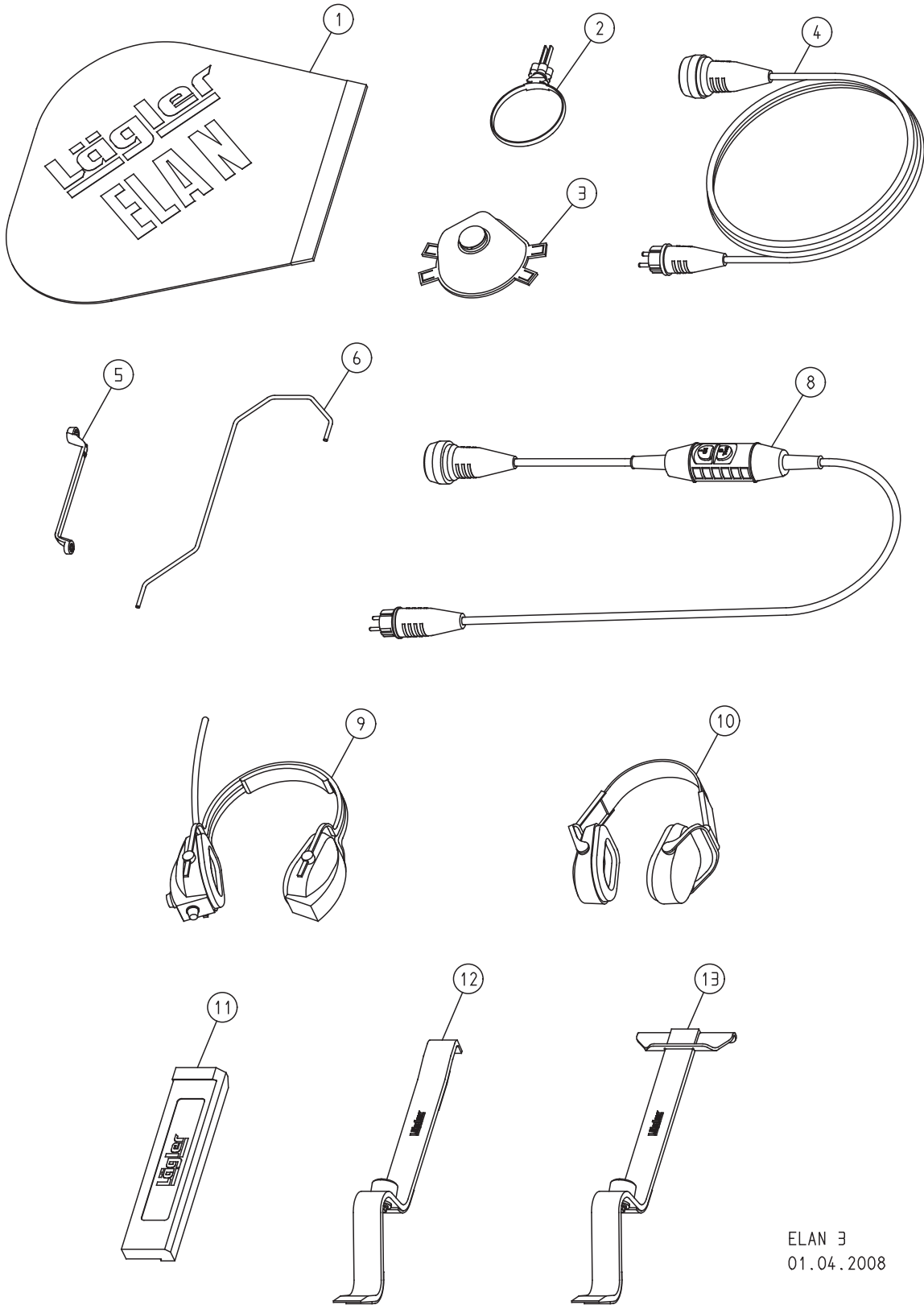


ELAN 2
01.01.2010

SPARE PARTS

| Item | Part number | Description |
|------|---------------|---------------------------------------|
| | 350.03.50.100 | Short attachment ELAN, complete |
| 2 | 7500.1004.812 | Screw |
| 3 | 350.03.25.100 | Wall-protecting roller, complete |
| 4 | 000.70.10.046 | V-belt |
| 5 | 350.03.02.100 | Cover, short |
| 6 | 000.10.12.051 | Screw |
| 7 | 350.03.52.100 | Sanding plate, complete |
| 8 | 350.03.12.105 | Sanding disc axle |
| 9 | 6001.0012.202 | Ball bearing |
| 10 | 350.03.11.100 | Bearing ring |
| 11 | 350.03.56.100 | Attachment pulley, complete |
| 12 | 350.03.35.205 | Velcro disc 150 mm (5.9") |
| | 350.03.34.105 | Felt disc 150 mm (5.9") |
| 13 | 350.03.16.100 | Paper tensioning disc |
| 14 | 0934.1008.000 | Nut |
| | 350.04.50.100 | Long attachment ELAN, complete |
| 16 | 000.40.30.017 | Plug |
| 17 | 000.70.10.085 | V-belt |
| 18 | 350.04.02.100 | Cover, long |
| 20 | 350.03.48.100 | Bearing ring, complete |
| | 350.08.00.100 | Corner attachment ELAN, complete |
| 25 | 350.08.10.100 | Sanding plate 75 mm (2.95"), complete |
| 26 | 350.08.13.105 | Felt disc 75 mm (2.95") |
| 27 | 0933.1008.016 | Screw |

SPARE PARTS



ELAN 3
01.04.2008

SPARE PARTS

| Item | Part number | Description |
|------|---------------|---|
| 1 | 350.00.80.105 | Dust bag ELAN |
| 2 | 000.01.40.110 | Multiclip |
| 3 | 000.01.20.010 | Respiratory protection mask P3 |
| 4 | 000.65.53.151 | Extension cable 3 x 1.5 mm ² (3 x 0.0023 sq.in.), 10 m (394") long |
| 5 | 000.95.21.103 | Closed mouth wrench 10/13 mm |
| 6 | 350.01.05.200 | Dust bag clamp |
| 8 | 000.01.65.020 | Safety switch PRCD-S (for German mains supply) |
| 9 | 000.01.10.011 | Foldable earmuff type MUSIMUFF with FM radio |
| 10 | 000.01.10.021 | Foldable earmuff type POCKET |
| 11 | 701.10.00.100 | Impact tool |
| 12 | 702.00.00.200 | Parquet layer tool ZUGEISEN, small |
| 13 | 703.00.00.200 | Parquet layer tool ZUGEISEN, broad |