



English / Englisch

Spare Parts

for the belt sanding machine



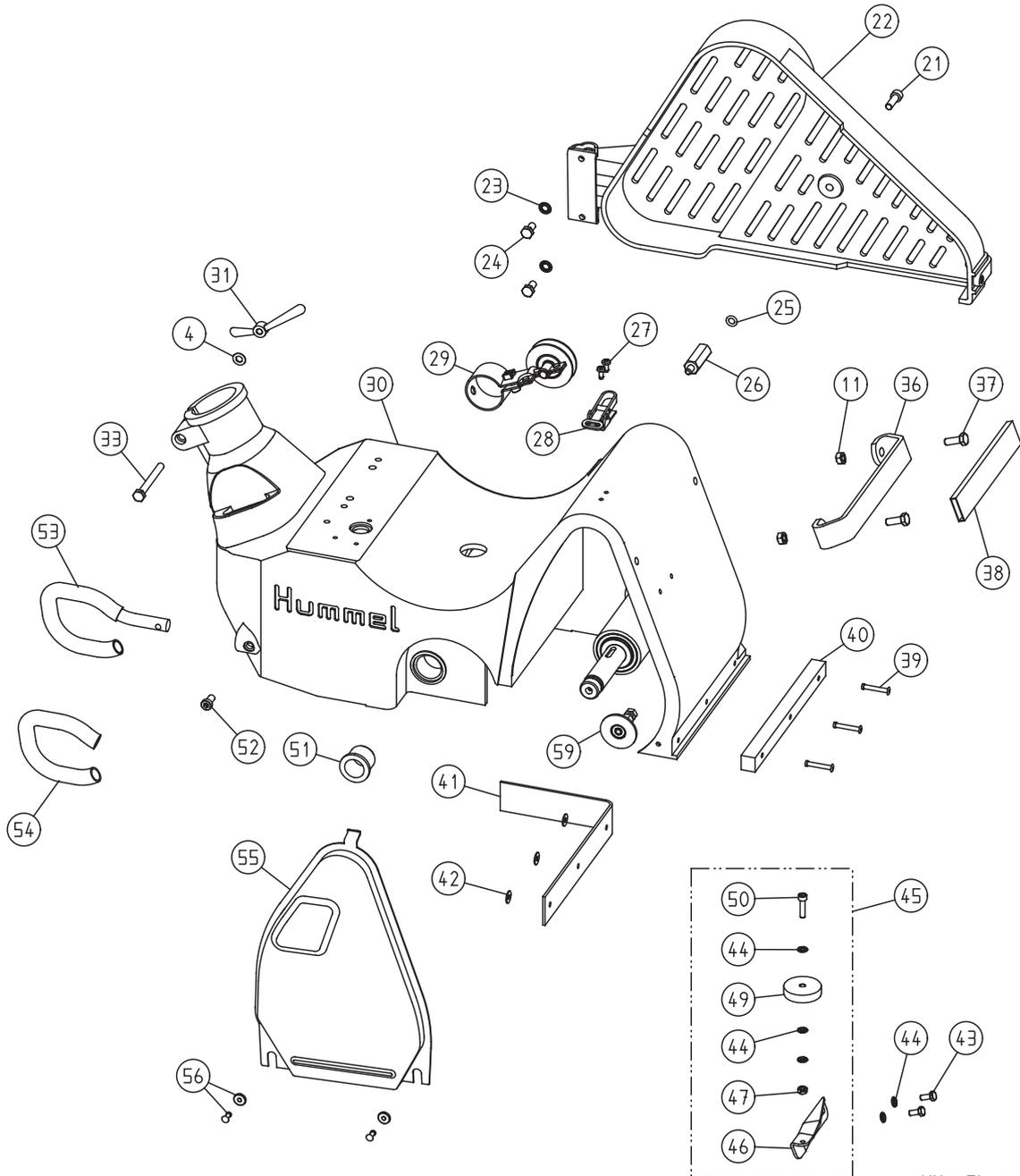
HUMMEL®

Lägler®



00.100.20.802 01.12.2012

SPARE PARTS

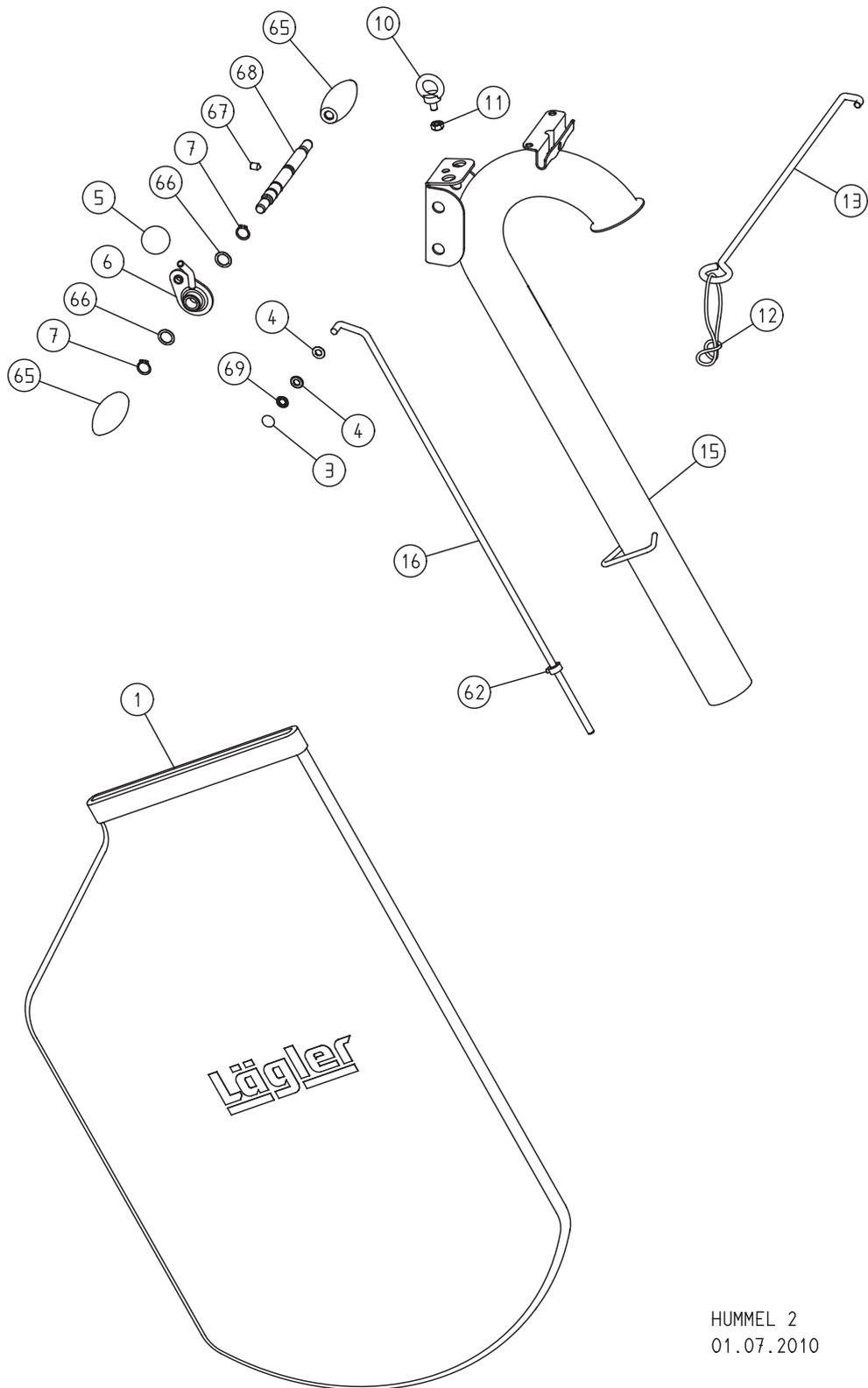


HUMMEL 1
01.05.2005

SPARE PARTS

| Item | Part number | Description |
|------|---------------|------------------------------------|
| 4 | 0125.1008.000 | Washer |
| 11 | 0980.1008.000 | Nut |
| 21 | 0912.1008.025 | Screw |
| 22 | 100.50.00.100 | Belt guard, complete |
| 23 | 6797.1008.000 | Washer |
| 24 | 0933.1008.016 | Screw |
| 25 | 000.01.40.001 | O-ring |
| 26 | 100.50.04.105 | Screw stud |
| 27 | 7500.1005.012 | Screw |
| 28 | 100.01.05.105 | Cover fastener |
| 29 | 100.58.00.200 | Belt tensioner, complete |
| 30 | 100.01.00.100 | Housing |
| 31 | 000.20.45.083 | Wing nut |
| 33 | 0931.1008.075 | Screw |
| 36 | 100.33.01.100 | Bracket |
| 37 | 0933.1008.022 | Screw |
| 38 | 100.33.02.100 | Grip |
| 39 | 7337.1005.033 | Rivet |
| 40 | 100.01.01.100 | Bumper felt |
| 41 | 100.01.02.100 | Sealing felt |
| 42 | 9021.1005.000 | Washer |
| 43 | 0933.1006.014 | Screw |
| 44 | 0125.1006.000 | Washer |
| 45 | 100.60.00.200 | Wall-protecting roller with holder |
| 46 | 100.60.01.100 | Holder for wall-protecting roller |
| 47 | 0934.1006.000 | Nut |
| 49 | 100.60.02.200 | Wall-protecting roller |
| 50 | 0912.1006.030 | Screw |
| 51 | 000.43.10.252 | Plastic bushing |
| 52 | 7984.1008.016 | Screw |
| 53 | 100.44.00.100 | Safety guard, complete |
| 54 | 100.44.01.100 | PVC tube |
| 55 | 100.01.03.100 | Side cover |
| 56 | 100.01.08.200 | Collar nut, complete |
| 59 | 100.01.30.100 | Guide roller, complete |

SPARE PARTS

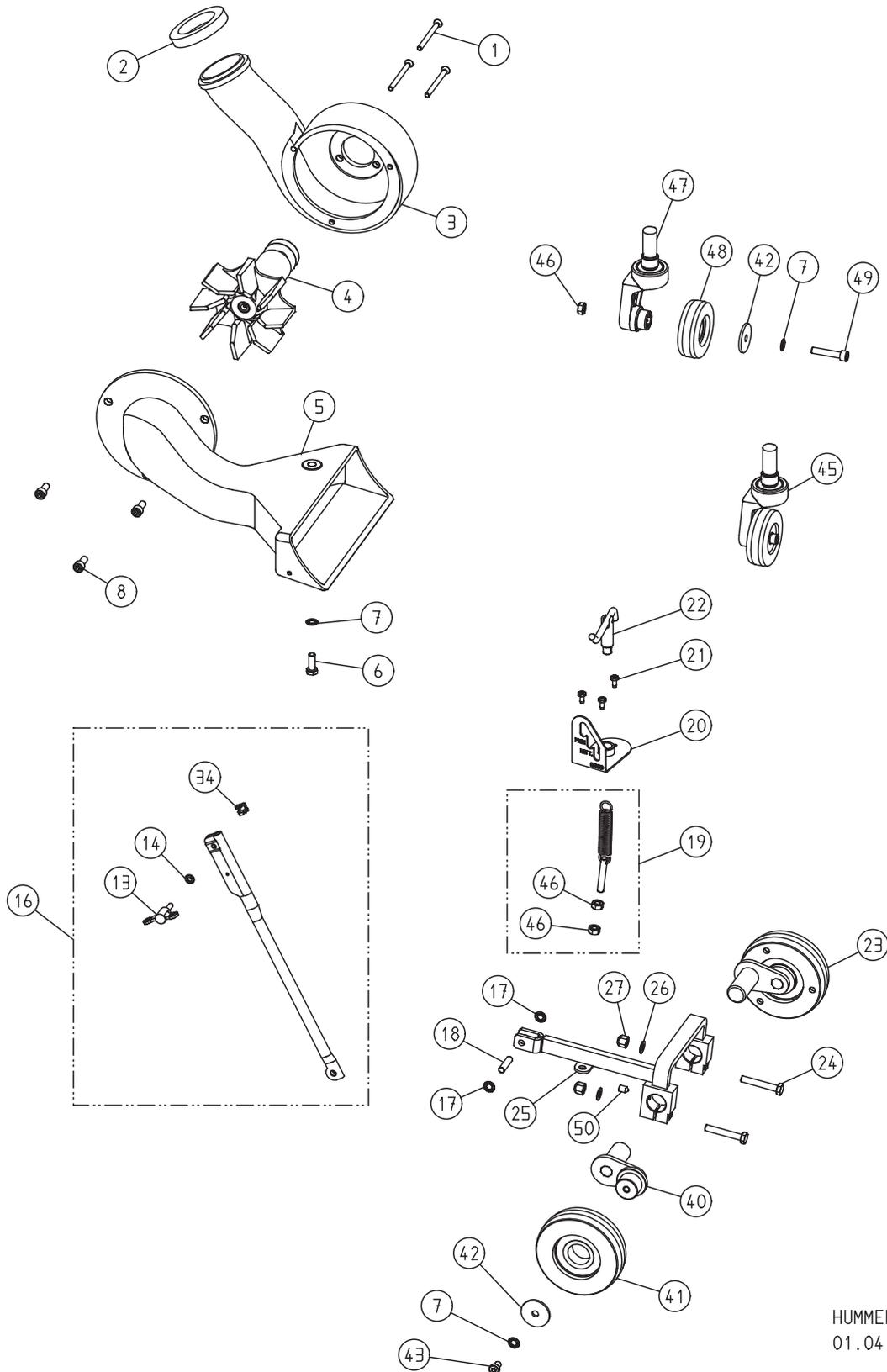


HUMMEL 2
01.07.2010

SPARE PARTS

| Item | Part number | Description |
|------|---------------|---------------------------|
| 1 | 100.00.80.105 | Dust bag HUMMEL® |
| 3 | 000.17.21.081 | Fixing cap |
| 4 | 0125.1008.000 | Washer |
| 5 | 000.20.56.351 | Ball knob |
| 6 | 100.20.18.200 | Lever |
| 7 | 0471.0015.000 | Circlip |
| 10 | 0580.1008.000 | Thread eye |
| 11 | 0980.1008.000 | Nut |
| 12 | 00.000.41.002 | Strain relief ring |
| 13 | 100.20.26.100 | Cable support, complete |
| 15 | 100.20.01.200 | Guide tube |
| | 102.20.01.200 | Guide tube USA |
| | 100.20.00.200 | Guide tube, complete |
| | 102.20.00.200 | Guide tube USA, complete |
| | 100.21.00.200 | Guide tube long, complete |
| 16 | 100.20.24.100 | Upper rod, complete |
| 62 | 100.20.23.200 | Adjusting ring, complete |
| 65 | 000.20.31.351 | Handle |
| 66 | 0988.0015.005 | Washer |
| 67 | 0914.0008.012 | Grub screw |
| 68 | 100.20.17.200 | Axle for handle |
| 69 | 000.17.20.081 | Quick-fixing-fastener |

SPARE PARTS

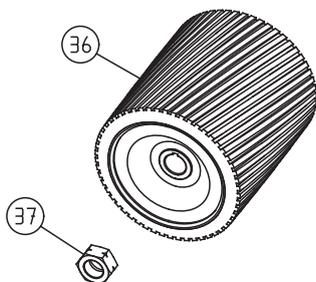
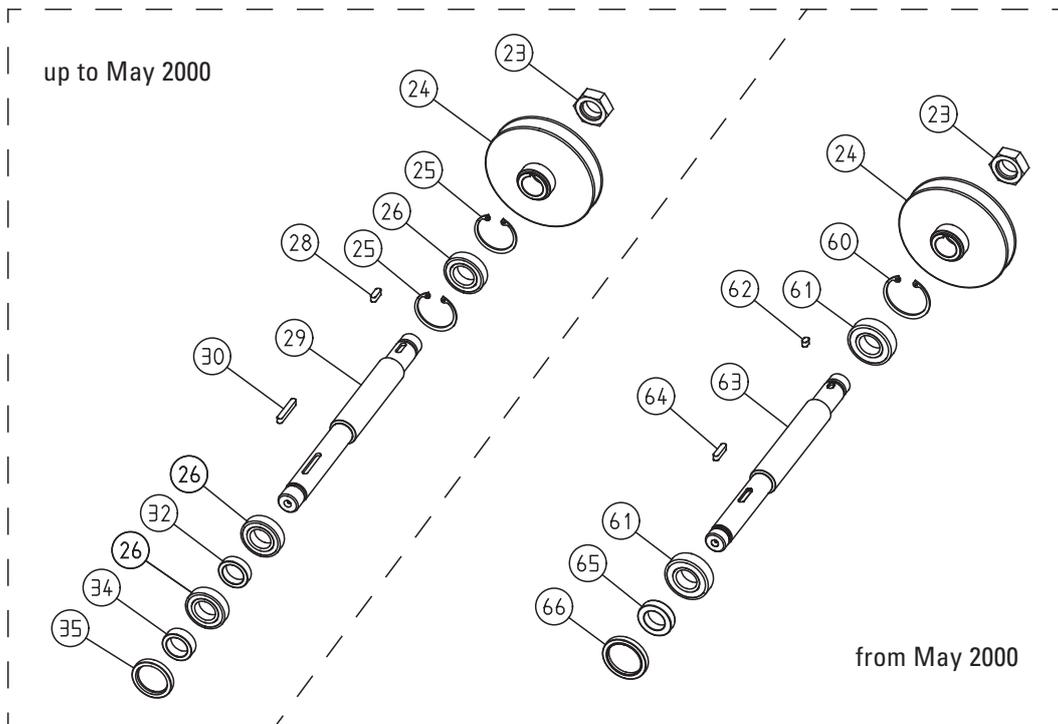
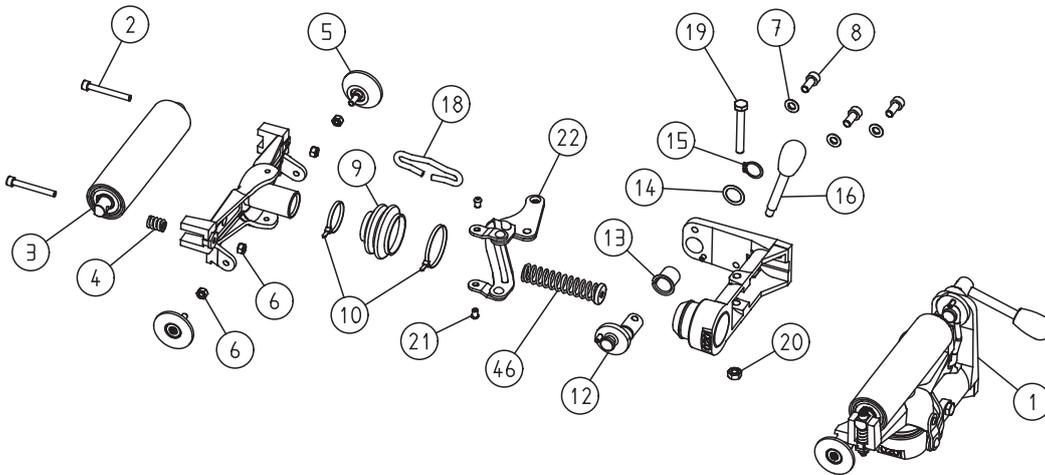


HUMMEL E
01.04.2012

SPARE PARTS

| Item | Part number | Description |
|------|---------------|---|
| 1 | 0965.1006.870 | Screw |
| 2 | 100.08.01.200 | Sealing ring |
| 3 | 100.08.00.100 | Fan housing |
| 4 | 100.10.00.200 | Fan insert, complete |
| 5 | 100.14.00.100 | Intake duct |
| 6 | 0933.1008.022 | Screw |
| 7 | 6797.1008.000 | Washer |
| 8 | 0912.1008.018 | Screw |
| 13 | 000.20.46.062 | Wing screw |
| 14 | 0125.1006.000 | Washer |
| 16 | 100.04.09.100 | Lower rod, complete |
| 17 | 000.17.20.081 | Quick-fixing-fastener |
| 18 | 100.04.01.200 | Pivot pin |
| 19 | 100.04.25.100 | Spring with screw, complete |
| 20 | 100.04.06.200 | Notch plate |
| 21 | 7500.1005.012 | Screw |
| 22 | 100.04.02.100 | Spring tensioner, complete |
| 23 | 100.05.00.200 | Lateral wheel, complete |
| 24 | 0931.1008.050 | Screw |
| 25 | 100.04.00.100 | Lifting fixture |
| 26 | 0125.1008.000 | Washer |
| 27 | 6330.1008.000 | Nut |
| 34 | 000.50.12.061 | Nut |
| 40 | 100.05.04.200 | Wheel arm |
| 41 | 100.05.29.100 | Lateral wheel |
| 42 | 000.10.10.085 | Washer |
| 43 | 7984.1008.012 | Screw |
| 45 | 100.18.00.300 | Rear wheel, complete |
| 46 | 0934.1008.000 | Nut |
| 47 | 100.18.18.300 | Tail axle housing, complete |
| 48 | 100.18.29.105 | Rear wheel (from year of manufacture 2002) |
| | 100.18.09.200 | Rear wheel (up to year of manufacture 2001) |
| 49 | 0912.1008.040 | Screw |
| 50 | 0914.0008.012 | Grub screw |

SPARE PARTS



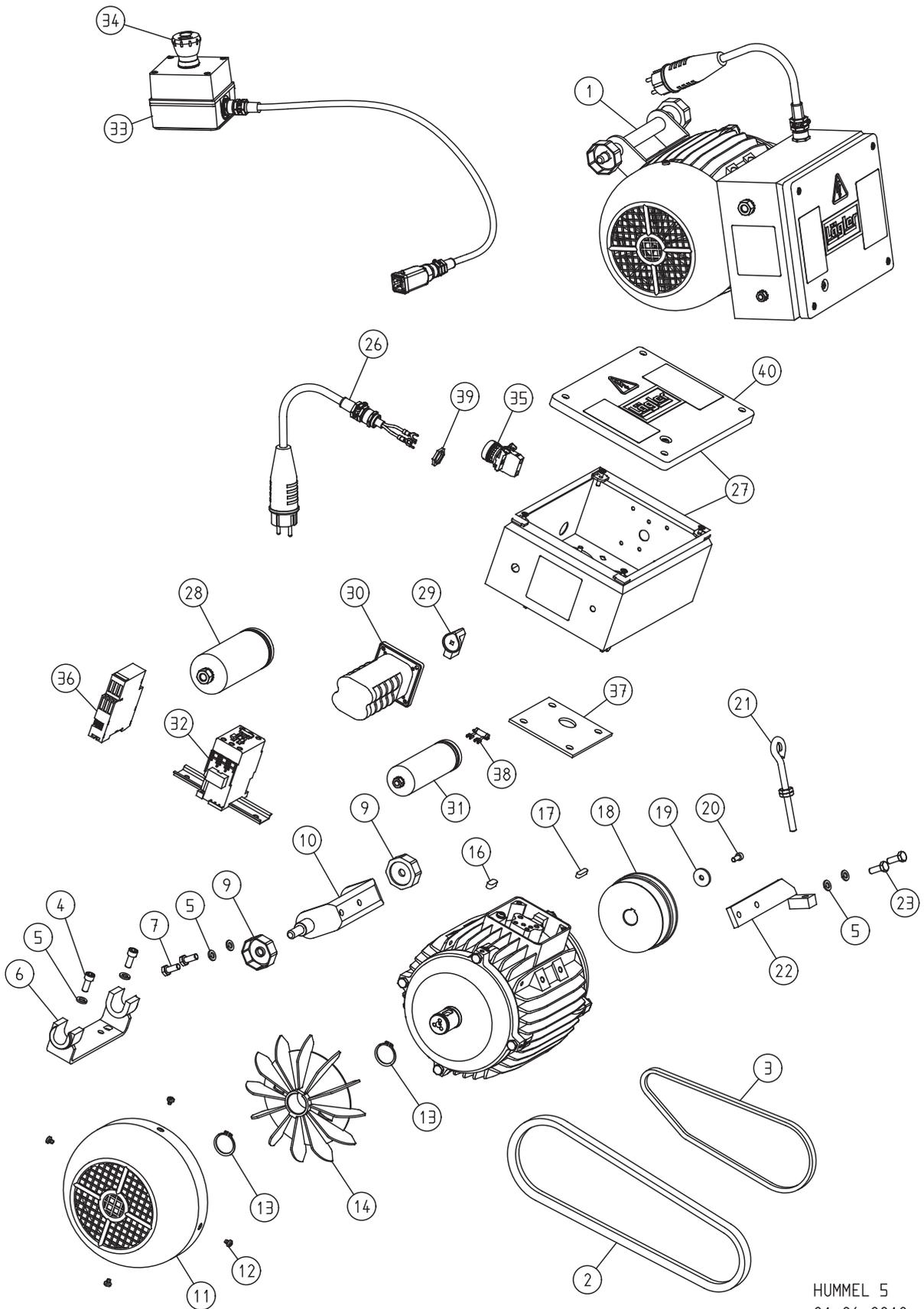
Please state the machine number with each order!

HUMMEL 4
12.02.2001

SPARE PARTS

| Item | Part number | Description |
|------|---------------|---|
| 1 | 100.45.00.100 | Drive unit, complete |
| 2 | 0912.1006.050 | Screw |
| 3 | 100.45.12.105 | Tensioning roller |
| 4 | 000.31.13.021 | Pressure spring |
| 5 | 100.45.01.105 | Guide roller |
| 6 | 0980.1006.000 | Nut |
| 7 | 0125.1008.000 | Washer |
| 8 | 0912.1008.018 | Screw |
| 9 | 100.45.81.105 | Collar |
| 10 | 000.61.10.363 | Cable tie |
| 12 | 100.45.20.100 | Crank |
| 13 | 100.45.24.105 | Bearing bush |
| 14 | 0988.0018.005 | Washer |
| 15 | 0471.0018.000 | Circlip |
| 16 | 000.20.32.104 | Operating lever |
| 18 | 100.45.17.100 | Clip |
| 19 | 0931.1008.060 | Screw |
| 20 | 0980.1008.000 | Nut |
| 21 | 100.45.61.205 | Screw |
| 22 | 100.45.37.100 | Double arm, complete |
| 23 | 100.02.05.100 | Nut, right-hand thread |
| 24 | 100.36.00.100 | V-belt pulley |
| 25 | 0472.0047.000 | Circlip |
| 26 | 6005.0025.205 | Ball bearing |
| 28 | 6885.0606.018 | Parallel key |
| 29 | 100.02.01.100 | Sanding shaft |
| 30 | 6885.0606.040 | Parallel key |
| 32 | 100.02.04.105 | Spacer ring |
| 34 | 100.02.03.105 | Slide ring |
| 35 | 000.11.35.102 | Shaft seal |
| 36 | 120.40.00.100 | Sanding drum HUMMEL® |
| | 120.41.00.100 | Sanding drum HUMMEL®, hard rubber cover |
| 37 | 100.02.06.100 | Nut, left-hand thread |
| 46 | 100.45.45.100 | Pressure spring |
| 60 | 0472.0052.000 | Circlip |
| 61 | 6205.0025.205 | Ball bearing |
| 62 | 6885.0606.010 | Parallel key |
| 63 | 100.02.01.200 | Sanding shaft |
| 64 | 6885.0606.025 | Parallel key |
| 65 | 100.02.03.200 | Spacer ring |
| 66 | 000.11.40.102 | Shaft seal |

SPARE PARTS



HUMMEL 5
01.06.2012

SPARE PARTS

| Item | Part number | Description |
|------|---------------|---|
| 1 | 100.65.00.100 | Motor, 230 V / 50 CPS / 2.2 kW |
| | 101.65.00.100 | Motor, 230 V / 60 CPS / 2.2 kW |
| | 102.65.00.100 | Motor, 220 V / 60 CPS / 2.9 kW, USA |
| | 105.65.00.100 | Motor, 400 V / 50 CPS / 4.0 kW, three-phase current |
| 2 | 000.70.17.092 | V-belt |
| 3 | 000.70.10.067 | V-belt |
| 4 | 0912.1008.020 | Screw |
| 5 | 0127.1008.000 | Spring washer |
| 6 | 100.65.29.200 | Motor bearing bracket |
| 7 | 0933.1008.020 | Screw |
| 9 | 100.65.30.100 | Motor nut |
| 10 | 100.65.25.100 | Motor mounting |
| 11 | 100.65.09.100 | Fan cover |
| 12 | 7500.1005.006 | Screw |
| 13 | 0471.0030.000 | Circlip |
| 14 | 100.65.08.105 | Fan wheel |
| 16 | 6885.0807.020 | Parallel key |
| 17 | 6885.0606.025 | Parallel key |
| 18 | 100.65.06.100 | Motor pulley |
| 19 | 000.10.10.061 | Washer |
| 20 | 0912.1006.014 | Screw |
| 21 | 100.65.80.205 | Eye bolt |
| 22 | 100.65.35.100 | Motor tensioner |
| 23 | 0933.1008.022 | Screw |
| 26 | 100.65.75.100 | Motor cable 3 x 2.5 mm ² (from year of manufacture 2008) |
| | 000.65.43.251 | Motor cable 3 x 2.5 mm ² (up to year of manufacture 2007) |
| | 102.65.75.100 | Motor cable 3 x 2.5 mm ² , USA (from year of manufacture 2008) |
| | 000.65.43.257 | Motor cable 3 x 2.5 mm ² , USA (up to year of manufacture 2007) |
| | 105.65.75.100 | Motor cable 5 x 1.5 mm ² for three-phase AC motor (from year of manufacture 2008) |
| | 000.65.45.151 | Motor cable 5 x 1.5 mm ² for three-phase AC motor (up to year of manufacture 2007) |
| 27 | 100.65.40.200 | Switch box, 230 V / 50 CPS |
| | 102.65.40.200 | Switch box, 220-230 V / 60 CPS + three-phase current |
| 28 | 000.65.10.041 | Running capacitor 40 µF |
| 29 | 000.65.62.211 | Switch button |
| 30 | 000.65.60.253 | Switch |
| | 000.65.60.401 | Switch for three-phase AC motor |
| 31 | 000.65.10.061 | Starting capacitor 60 µF |
| | 000.65.10.131 | Starting capacitor 130 µF, USA |
| 32 | 000.65.20.035 | Contacto |
| | 000.65.20.032 | Contacto complete for three-phase AC motor |
| 33 | 102.65.60.200 | Emergency switch USA, complete |
| 34 | 000.65.62.221 | Red button for emergency switch USA |
| 35 | 000.65.25.020 | Lamp red for three-phase AC motor |
| 36 | 000.65.20.220 | Relay for three-phase AC motor |
| 37 | 100.65.14.105 | Sealing plate |
| 38 | 000.65.12.091 | Discharging resistor |
| 39 | 000.68.60.207 | Nut (from year of manufacture 2008) |
| | 000.68.60.163 | Nut (up to year of manufacture 2007) |
| 40 | 100.65.47.100 | Cover with seal |

SPARE PARTS

| Item | Part number | Description |
|------|---------------|---|
| 2 | 000.01.40.110 | MultiClip |
| 3 | 000.65.53.251 | Extension cable 3 x 2.5 mm ² , 10 m long |
| | 000.65.53.252 | Extension cable 3 x 2.5 mm ² , 20 m long |
| | 000.65.55.151 | Extension cable 5 x 1.5 mm ² , 10 m long, for three-phase AC motor |
| 4 | 000.01.20.010 | Respiratory protection mask P3 |
| 5 | 000.01.50.010 | Safety belt |
| 6 | 000.95.21.103 | Closed mouth wrench 10/13 mm |
| 7 | 000.95.11.171 | Open mouth wrench 17 mm |
| 8 | 000.93.11.061 | Hexagonal socket screw wrench 6 mm |
| 9 | 000.93.11.051 | Hexagonal socket screw wrench 5 mm |
| 10 | 000.93.11.041 | Hexagonal socket screw wrench 4 mm |
| 11 | 100.00.50.100 | Setting fixture |
| 12 | 100.00.45.105 | Box wrench |
| 13 | 000.01.30.011 | Tool bag, empty |
| | 100.98.00.100 | Tool bag, complete |
| 20 | 720.00.00.200 | Trolley TRANSCART, complete |
| 21 | 000.01.10.011 | Foldable earmuff type MUSIMUFF with FM radio |
| 22 | 000.01.10.021 | Foldable earmuff type POCKET |
| 23 | 000.01.65.020 | Safety switch PRCD-S (for German mains supply) |
| 24 | 100.00.55.100 | Carrying handle HUMMEL® |
| 25 | 701.10.00.100 | Impact tool |
| 26 | 702.00.00.200 | Parquet layer tool ZUGEISEN, small |
| 27 | 703.00.00.200 | Parquet layer tool ZUGEISEN, broad |
| 30 | 720.10.00.200 | Accessories TRANSCART |
| 31 | 720.05.00.205 | Wheel TRANSCART |
| 40 | 000.10.42.240 | Milling drum 200 mm width, complete with accessories |
| 41 | 900.02.45.105 | Carbide tool (10 pcs. per box) |
| 42 | 900.02.47.105 | Screw for blade |
| 43 | 000.10.42.241 | Milling drum with carbide blades |
| 44 | 000.10.42.243 | Cutting depth adjustment, complete |
| 45 | 000.91.30.151 | Torx screwdriver T15 |