



# SMD600

## Very High Sensitivity Multi-Zone Metal Detector



**NEW  
GENERATION**

- Very high Sensitivity to all metals
- Exceptional Immunity to environmental interferences
- Compliant with the strictest detection standards
- Unmatched Reliability
- Rapid Installation



Phone: +39 0575 4181 Fax: +39 0575 418298 e-mail: [infosecurity@ceia-spa.com](mailto:infosecurity@ceia-spa.com)

[www.ceia.net](http://www.ceia.net)

*Threat Detection through Electromagnetics*



## SMD600

Very High Sensitivity Multi-Zone Metal Detector

## Superior Detection

The CEIA SMD600 is a Walk-Through Multi-Zone Metal Detector with very high sensitivity designed to satisfy the strictest security requirements



HIGH RESOLUTION AND PRECISION

- Very accurate pinpointing of individual and multiple metal targets



VERY HIGH SENSITIVITY

- Quick, accurate analysis of all parts of the body of people in transit, from the shoe level to the crossbar

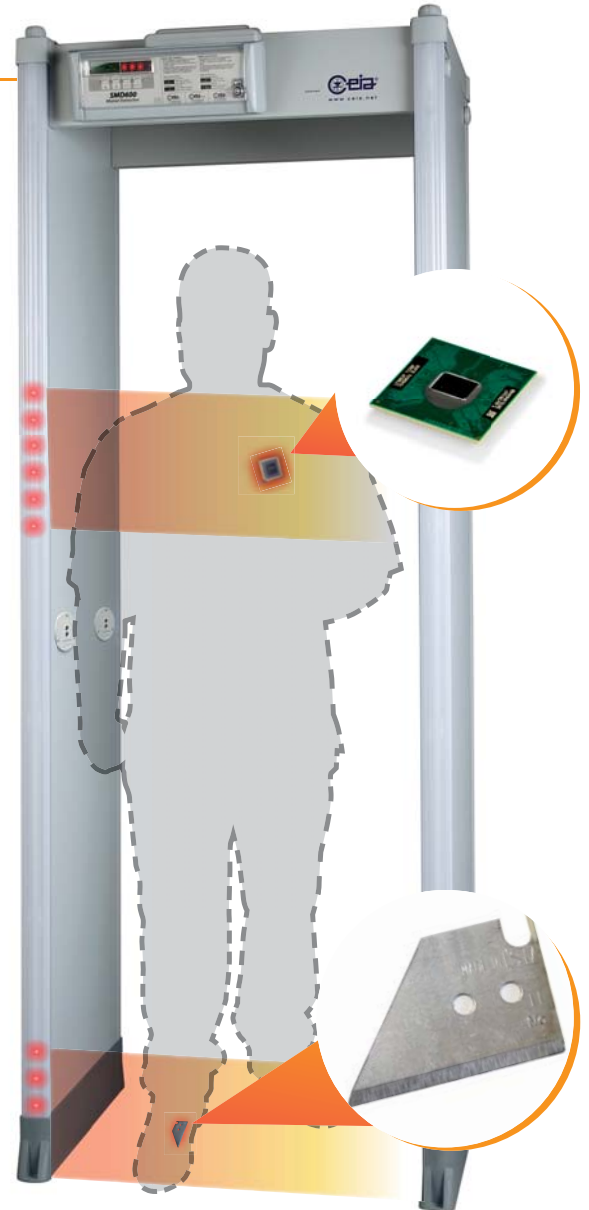


SECURITY LEVELS

- Built-in programs to screen people for weapons and contraband

The SMD600 Multi-Zone is characterized by a very high immunity to electrical interferences in the surrounding environment. As a result, it can be installed in those environments where the standard metal detectors could not perform.

A full-height light bar displays the vertical location of the detected metal masses in transit. This results in rapid identification of threats and a reduction or elimination of manual searches.



## Advanced Alarm Indication



PROGRAMMABLE DISPLAY BARS

- Entrance and Exit Multi-Zones Display Bars each programmable as entry pacing and/or localization lights



FLEXIBLE SOUND SYSTEM

- Flexible Acoustic Alarm Signaling System:

- 10 Continuous and Pulsed Tones
- 34 Special Sounds

- 10 Acoustic Intensity Levels programmable from 0 up to 90 dBA at 1 m



BIDIRECTIONAL COUNTER

- High Precision Transit Counter:

- In-Bound Transits
- Out-Bound Transits
- Alarm Rate



ENTRY PACING LIGHTS

# SMD600

Very High Sensitivity Multi-Zone Metal Detector



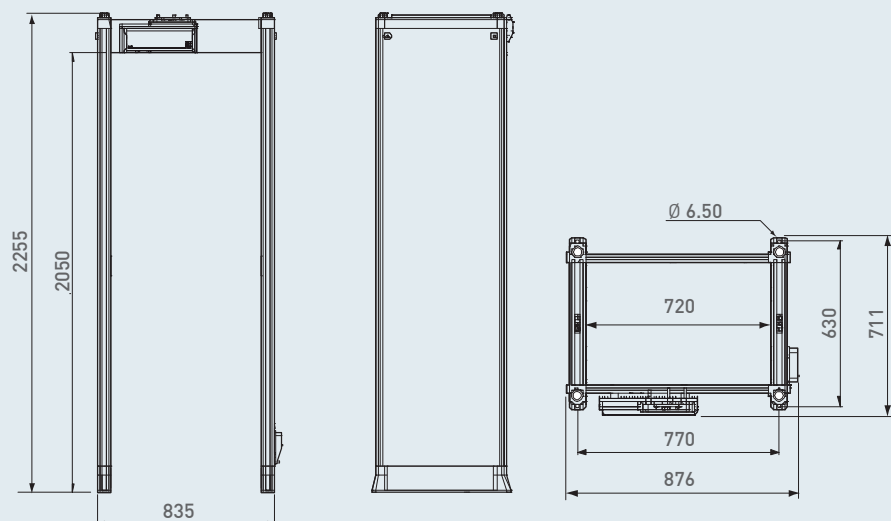
## Model Configuration

Features	SMD600/PZ
2 display bars programmable as zone indicators and/or pacing lights	●
Dual Side 20 localization zones	●
Powered by safe low voltage DC	●
Chip Card Reader	●
One Touch Automatic Self Installation (OTS)	●
Bluetooth, infrared and RS-232 communication	●
Password and hardware key access protection	●
Anti-tamper on/off switch	●
High precision transit counter	●
Programmable Random Alarm capability	●
Weather resistant protection	○
Anti-vandalism, anti-tampering protection	○
IP65 protection (includes weather resistant and anti-vandalism options)	○
Embedded battery back-up and charger	○
Integrated web-server & logger (includes Ethernet and USB interface)	○
Long life crossbar battery back-up	○

● STANDARD ○ OPTION



## Dimensions



VIEW OF THE SMD600 WITH ANTI-VANDALISM AND ANTI-TAMPERING PROTECTION OPTION

### UNDER THE ALARM THRESHOLD

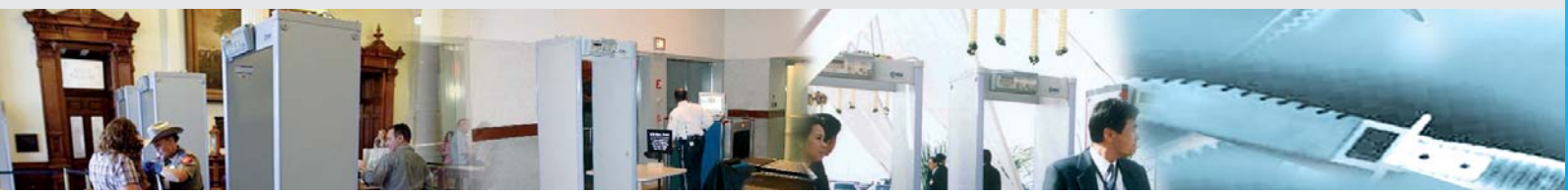
- Small metal mass
- Medium metal mass

### OVER THE ALARM THRESHOLD

- Medium metal mass
- Large metal mass

GREEN AND RED METERING SIGNALS PROPORTIONAL TO THE METAL MASS DETECTED





## Rapid Installation



- **One touch guided self installation (OTS)**

Innovative function assisting the installation through an automatic step-by-step procedure



- **Industry Leader in Immunity against environmental interferences**

- **Continuous self diagnostics assures monitored performance reliability**



## Options and Upgrade Kits

### WEATHER RESISTANT PROTECTION

Kit for upgrading the standard version to outdoor applications according to IEC 60950-22; this kit includes shelters, crossbars, protection covers for power supply and waterproof mains power supply adapter.

Part # 55630



### ANTI-VANDALISM, ANTI-TAMPERING PROTECTION

This option includes stainless steel control unit, waterproof mains power supply adapter, protection covers for power supply and antenna connection compartments, equipped with screws requiring tools for removal.

Part # 55629



### IP65 PROTECTION

This option includes the Weather Resistant and Anti-vandalism kits. Part # 55631

### LONG LIFE CROSSBAR BATTERY BACK-UP

Crossbar battery back-up in stainless steel case. Provides up to 14 hours of autonomous working time.

Part # 55681

14 HOURS TYPICAL (9.5 HOURS MINIMUM) CONTINUOUS OPERATION WITH SMD600



### EMBEDDED BATTERY BACK-UP AND CHARGER

Anti-tamper on/off switch, RS-232 interface, 55 minutes typical (45 minutes minimum) internal battery back-up with 12 hours mains disconnection diagnostic alarm.

Part # APSM2Plus/P



### INTEGRATED WEB-SERVER & LOGGER, BATTERY BACK-UP AND CHARGER

Anti-tamper on/off switch, RS-232, USB, 10/100 baseT Ethernet interface, data logger, real-time clock, integrated web-server, transit statistical data analysis, 20' internal battery back-up with 12 hours mains disconnection diagnostic alarm.

Part # APSiM2Plus/P



# Communication Capabilities

TYPE OF OPERATION	Ethernet	USB	Infrared	Bluetooth	RS-232
Maintenance	○	○		●	●
Remote Control	○		●	●	●
Remote Data collection	○				

● STANDARD ○ OPTION

## Accessories

### CHIP CARDS

Chip cards for simple and secure selection of Security Levels and parameter setting. List of chip-cards available on request.

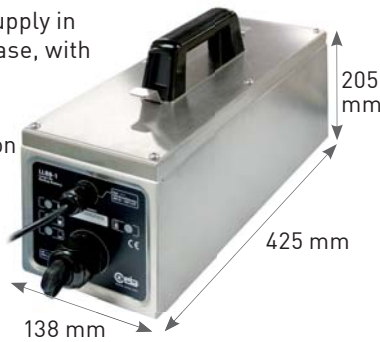


### MBSU-2

Independent, long life power supply in weatherproof stainless steel case, with embedded fast charger:

- 25.5 hours typical (17.5 hours minimum) continuous operation with SMD600
- 5 hours typical charging time

(Part # MBSU-2)



### IRC-1

Infrared Remote Controller for wireless remote programming of the control unit.

Part # 47180



### UPPER CONNECTION MODULE

This extension cable allows the connection of power supply and serial communication to personal computers or CEIA accessories, such as RCU-2. Part # 46650

### RRU

Remote relay unit (RRU) to repeat the detection alarms of the gate through a relay contact. The RRU module can be used for integration of the Metal Detector in interlocked door systems.

Part # RRU

### WATERPROOF MAINS POWER SUPPLY

100W IP67 power supply for outdoor applications. It is provided with flanges for simple installation.

Part # 43564



### RCU2

Control unit for full remote access, including alarm signalling and programming of CEIA Walk Through Metal Detectors.

Part # RCU2



VISUAL ALARM WITH ZONE INDICATION

### MD-SCOPE

Powerful, PC based installation and service Software. Includes oscilloscope and terminal functionality.

Part # MD-SCOPE2



### METAL DETECTOR DIVESTING TABLE FOR MANAGEMENT OF PERSONAL METAL BELONGINGS

- Standard length: 610 mm (Part # 18074)
- Extended length: 1200 mm (Part # 39491)



### TEST SAMPLES KIT

Reference Samples for accurate verification of the Security Level. Includes guided procedures and certificate of calibration.

Part # 3505 (NILECJ 0601.00 levels 1-5)

Part # 46919 (Half Cutter Blade)





## SMD600

Very High Sensitivity Multi-Zone Metal Detector

# Specifications

<b>KEY FEATURES</b>	Very High Sensitivity	
	20 High Precision localization zones	
	High precision bidirectional counter with automatic rescreening compensation	
	Chip Card capability for fast, simple, and secure programming	
	Random alarm capability programmable from 0% to 100%	
	Exceptional Immunity to external interferences	
	Powered by safe low voltage DC	
	Standard Interfaces: RS-232, Bluetooth, Infrared Other available interfaces: Ethernet, USB	
<b>QUALITY</b>	Continuous self diagnostic system	
	Proven reliability	
	No periodic re-calibration and preventive maintenance required	
	No scheduled maintenance	
<b>WALK-THROUGH GATE STRUCTURE</b>	State-of-the-art, robust and washable panels	
	Protected against aging, weather and wear	
<b>CENTRAL CONTROL UNIT</b>	Ergonomic and robust design	
	High visibility alphanumeric display and programming keyboard	
	Made of advanced plastics or stainless steel and anti-vandalism construction (option) Access to the front panel protected by hardware key and two levels of passwords	
<b>ALARM SIGNALLING</b>	<b>VISUAL SIGNALS</b>	Multi-zone display bar for "height on person" localization 2 light bars with selectable entry/exit and pacing indication Green and red metering signals proportional to the mass of the detected target
	<b>AUDIO SIGNALS</b>	10 selectable continuous and pulsed tone plus 34 special tones 10 selectable sound intensities ranging from 0 to 90 dBa at 1m
<b>TYPE OF SIGNALLING</b>	<b>VISUAL</b>	Fixed or proportional to the mass in transit - visible from 6m under lighting of 4000lux.
	<b>VISUAL ZONE INDICATION</b>	2, 4, 8 or 20 independent zones selectable
<b>PROGRAMMING</b>	Over 40 built-in security programs	
	Remote via RS-232, Infrared Remote Control Unit, Bluetooth™ or Ethernet 10/100 base T interface	
	<b>SECURITY LEVEL</b>	International Standard (IS) command Chip card
	Local by Control Unit alphanumeric display and keyboard Programming and chip-card access protected by user and super-user passwords	
<b>OPERATIONAL FEATURES</b>	Quick reset time as short as 0.2 seconds for high throughput rate	
	Very high detection speed (up to 50 ft/sec.)	
	Built-in operational functional verification One-touch key reading of inbound, outbound and Security Level Data	
<b>INSTALLATION DATA</b>	Automatic synchronisation between two or more metal detectors with distance as close as 5 cm without the use of external cables	
	Automatic Installation function (OTS)	

## Environmental Data

- **POWER SUPPLY** : 100...240V- -10/+15%, 47...63Hz, 25 VA max
- **OPERATING TEMPERATURE**: -20°C to +70°C
- **STORAGE TEMPERATURE**: -35°C to +70°C
- **RELATIVE HUMIDITY**: 0 to 95% (without condensation)

## Certification and Compliance

- Complies with and exceeds the applicable Standards for Law Enforcement and Correctional Facilities
- Compliant with the applicable electromagnetic Standards on Human Exposure and Pacemaker Safety
- Compliant with applicable International Standards for electrical safety and EMC
- Harmless to magnetic media (floppy disks, tapes, etc.)

## Comprehensive support

CEIA PROVIDES FULL OPERATIONAL AND TECHNICAL TRAINING SUPPORT BY CERTIFIED PERSONNEL EITHER AT CEIA FACILITY OR AT CUSTOMER PREMISES



- phone technical support
- in-house and on-site repair/services
- standard and custom training



Zona Industriale 54/G, 52041 Vicinomagno - Arezzo (ITALY)  
Tel.: +39 0575 4181 Fax: +39 0575 418298 E-mail: infosecurity@ceia-spa.com



Sos. Pipera 31-33, 014253 Bucuresti E-mail: office@elset.ro  
Mobil: +4 0723 354 613 www.elset.ro  
Fix/Fax: +4 021 232 97 19

[www.ceia.net](http://www.ceia.net)

CEIA reserves the right to make changes, at any moment and without notice, to the models (including programming), their accessories and options, to the prices and conditions of sale