

Z-2070 Series

Windows CE.NET Handheld Computer



- Modern and ergonomic industrial design
- Superior Microsoft® Windows® CE.NET 5.0 operating system and Intel 520 MHz CPU
- 2.4" TFT color display with touch panel
- Unique design of jacket-modules, easy on-site configuration and upgradeability
- Mini SD I/O slot for extra storage expandability
- Wireless solution with IEEE 802.11b, b/g
- Easy system control tool – Power Pack, the fast and economic software development solution

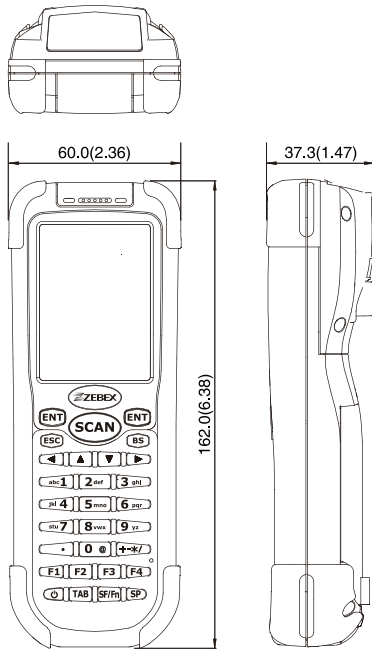
◀ Actual size



⚠ Product availability and specifications depend on territory market strategy; all are subjects to change without prior notice. ZEBEX is the trademark of ZEBEX INDUSTRIES INC., all rights reserved.

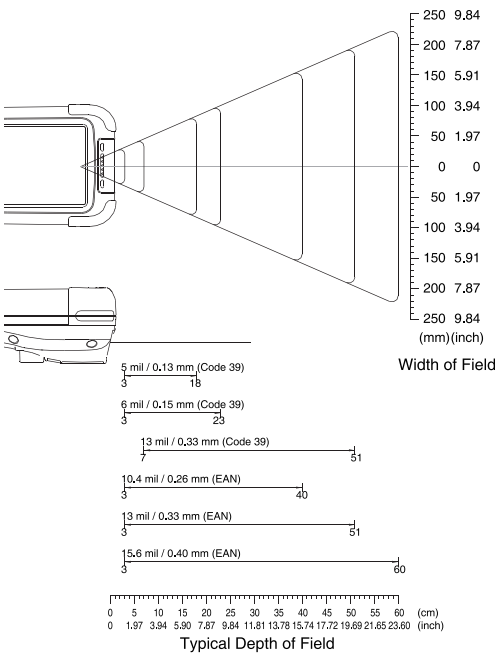
ZEBEX
www.zebex.com

[Dimensions]



Unit: mm(inch)

[Scan Field] - 1D Laser



[Specifications]

SYSTEM

CPU	Intel PXA 270 520 MHz processor
Operating System	Microsoft® Windows® CE.NET 5.0
RAM	64MB
F-ROM	64MB
Display (LCD)	2.4" TFT QVGA 240x320 color display with touch panel and backlight
Audio	One mono speaker
Keypads & Buttons	Total 29-key incl. one scan button for full alpha/numeric input and system control
Interfaces	RS-232, USB 1.1 Client
Expansion Slot	One mini SD I/O slot

RADIO

WLAN	IEEE 802.11b, b/g; via mini SD I/O card
-------------	---

POWER

Main Battery	2,200 mAh, 3.7V Li-ion rechargeable battery pack
Backup Battery	One rechargeable backup battery

INPUT DEVICE

Barcode	1D laser scan engine (SE-955) (built-in jacket JK-01)
----------------	---

PHYSICAL

Dimensions	(L)162.0 × (W)60.0 × (H)37.3 mm
Weight	Approx. 240 g (battery included)

ENVIRONMENTAL

Operating Temperature	0°C – 50°C (32°F – 122°F)
Storage Temperature	-20°C – 60°C (-4°F – 140°F)
Operating Humidity	10% – 70% RH (non-condensing)
Storage Humidity	5% – 70% RH (non-condensing)
Drop Durability	Withstand 1.5M drop to concrete
Environmental Sealing	IP54 rated sealing

REGULATORY

EMC	CE & FCC Part 15B
------------	-------------------

[Model Selections]

Model	WLAN
Z-2070BA	—
Z-2070WL	IEEE 802.11b, b/g

[Accessories]

- Cradle (including RS-232 and USB cables, AC adapter for communication and charging) (optional)
- Standard battery pack
- AC adapter DC 9V, 2A
- USB (client) cable for device to PC
- Travel adaptor USB type, DC 5V, 1A
- Stylus pen
- Hand strap

