

Z-2030 Series

Portable CCD/Laser Data Collector



- Integrated CCD & laser scan functionality
- Convenient, one-handed operation
- Ergonomic, modern cellular phone styling
- Built-in 96-character LCD
- 2MB internal memory
- Managing data via RS-232C
- Extended battery life enables over 50 hours of scanning
- PC-based task generator for customized applications

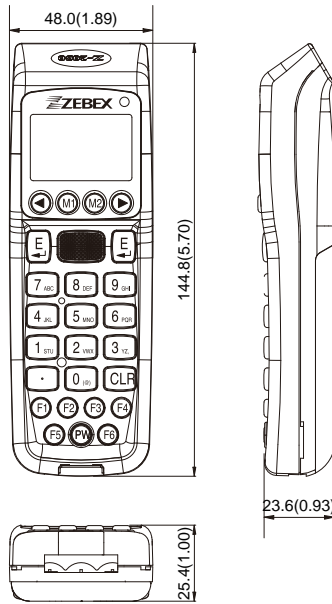
◀ Actual size



⚠ Product availability and specifications depend on territory market strategy; all are subjects to change without prior notice.
ZEBEX is the trademark of ZEBEX INDUSTRIES INC., all rights reserved.

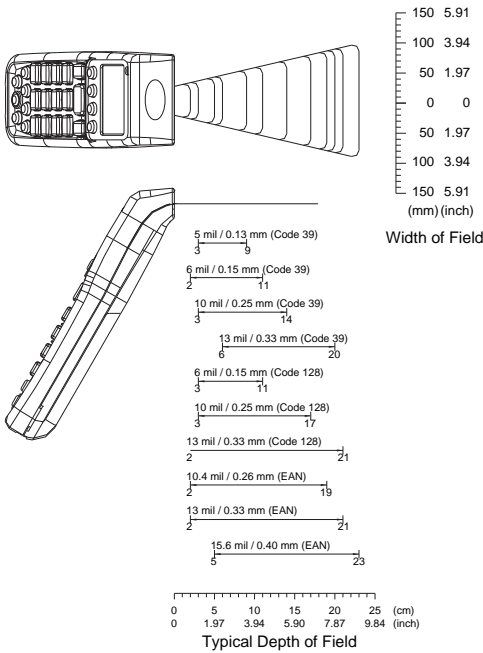
ZEBEX
www.zebex.com

[Dimensions]



Unit: mm(inch)

[Scan Field] - 1D CCD



[Specifications]

SYSTEM	
CPU	8-bit C-MOS microprocessor
RAM	2MB
F-ROM	128KB
Display (LCD)	FSTN, 98x64 dots graphic LCD (8x16 characters), with backlight
Keypads	Total 26-key for alpha/numeric input and system control
Indicators (LED)	Two-color LED (green & red)
Beeper Operation	Programmable tone & beep time
Interface	RS-232
POWER	
Main Battery	3 ea. 1.5V AAA alkaline batteries, or 3 ea. Ni-NH 900 mA/H rechargeable batteries
Backup Battery	3.0 V, 25 mA/H Li-Ion rechargeable battery
Battery Life	50 hours at 12 scans per minute
SCANNER	
Engine Type	1D linear image scanner (Z-2030Plus); 1D laser scanner (Z-2031)
Light Source	617 nm visible LED (Z-2030Plus); 650 nm visible laser diode (Z-2031)
Optical System	2,500 pixels CCD (Z-2030Plus); laser engine (Z-2031)
Scan Rate	100 scans per second
Print Contrast	30% @ UPC/EAN 100%
Depth of Field	50 – 200 mm (Z-2030Plus); 45 – 600 mm (Z-2031)
PHYSICAL	
Dimensions	(L)144.8 x (W)48.0 x (H)25.4 mm
Weight	146 g (batteries included)
ENVIRONMENTAL	
Operating Temperature	0°C – 50°C (32°F – 122°F)
Storage Temperature	-10°C – 60°C (14°F – 140°F)
Operating Humidity	10% – 70% RH (non-condensing)
Storage Humidity	5% – 70% RH (non-condensing)
Drop Durability	Designed to withstand 1.0M drops
Light Levels	Max. 3,000 Lux (fluorescence)
REGULATORY	
EMC	CE & FCC Part 15B, 15C
SOFTWARE & DEVELOPMENT	
(a) Built-in free task; (b) Support the TaskGen software; (c) Application generator and SDK support	

[Model Selections]

Model	Scanner	WLAN	Bluetooth®
Z-2030Plus	1D linear image	—	—
Z-2031	1D laser	—	—



[Accessories]

- Cradle (RS-232 or USB cable for communication and charging)
- RS-232 communication cable for device to PC
- Standard battery pack
- AC adaptor DC 9V, 1A

