

L2000 Fingerprint Lock



A lock that talks and connects



L2000 is a fingerprint lock for home, office and hotels. It is the first lock in the world which combines password, fingerprint, voice prompt, mini USB, RS485 and TCP/IP connection. The zinc alloy casing and slide cover design shows its elegance and luxury. Users can open door by password, ID+fingerprint, fingerprint and double finger in accordance with different security level. Clear voice prompt comes along with all operations, which makes it very user friendly and convenient for identification, enrollment, deletion and parameter setting etc. Mini USB can be used for data transfer to pc in one door installation. RS485 or TCP/IP can be used for multiple door installation in hotels for central management from the reception desk.

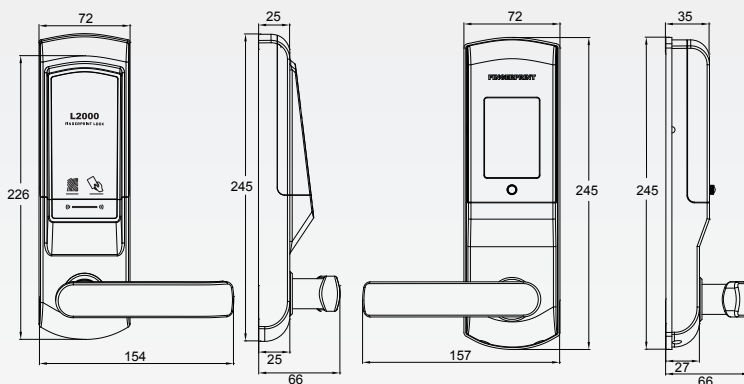
Feature

- Professional and elegant design by famous designer. Elegant and luxurious. Fashionable slide design
- Strong zinc alloy front panel. Waterproof. Bi-direction-lock structure. Automatic selflock after door-close
- Unique double circuit design. Automatic fault detection. Emergency door-open mode available. Durable waterproof coated PCB circuit board. Fingerprint technology
- Clear customizable voice prompt along with all operations. Door-open, door-close, enrollment and deletion of fingerprint is extremely easy
- Identification method: FP, PW, PW + FP, Double FP. No hidden risk of mechanical key. Safe and reliable
- System auto shut down for 3 minutes upon three times of wrong password in 1 minute
- USA Ti chip of low consumption. 4 AA batteries for one year (20 times door-open/day) (maximum 8 AA batteries available)
- Alarm sent when power is low. 500 door-open still available. External 9V battery for emergency use
- Mini USB interface or optional RS485 and TCP/IP for record collection to PC. Door-open records can be tracked in the software
- Can be set on the lock for free entry when needed during meetings etc.

Parameter

Fingerprint Sensor	ANVIZ optical fingerprint sensor	Front Panel	72(w)*245(h)*66(d)mm
Identification Method	FP, ID+FP, Double finger, Emergency PW	Back Panel	72(w)*245(h)*66(d)mm
Identification Speed	<1 second	Battery Life	1 year (20 times/day 1.5V*4) (8 maximum)
Register Method	Fingerprint enroll (twice), Password (6 digits)	Door Thickness	40mm ~ 50mm
Door-open Record	10000	Battery	DC6V (1.5V*4)
User Capacity	300 FP,300 PW(Each user can enroll 4 FP and 1 PW maximum)	Working Temperature	-20°C~60°C
FRR	0.001%	Color	Matt champagne, Matt silver, Antique bronze
FAR	0.0001%	Material	Strong zinc alloy+Reinforced plastic
Communication	Standard Mini USB, optional RS485 or TCP/IP		

Appearance drawing



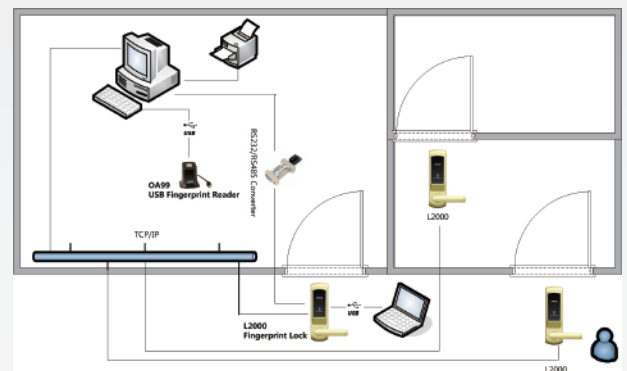
Front view

Side view

Back view

Side view

Network topology illustration



Multiple door network access control solution