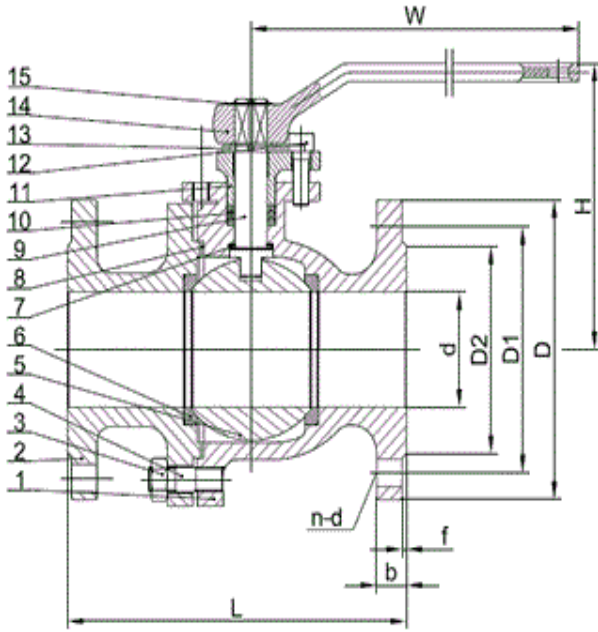


SC TIMOREX IMPEX SRL ZALAU

Robinet de inchidere cu sfera fonta PN 16



Nr. crt		Material
1	Corp	Gray cast iron (GG25 RAL5017)
2	Bonnet	Gray cast iron (GG25)
3	Piulita	Carbon steel
4	Surub	Carbon steel
5	Bila	Stainless steel (SS304)
6	Scaun	PTFE
7	Saiba	PTFE
8	Garnitura	FIFE
9	Stern	Stainless steel (55304)
10	Tija	PTFE
11	Flansa	Gray cast iron (GG25)
12	Surubul	Carbon steel
13	Manson	Carbon steel
14	Levier	Ductile iron (GGG40)
15	Inel de siguranta	Carbon steel

DN	d	L	H	W	D1	D2	D	b	n-d
15	15	115	78	130	45	65	95	14	4-14
20	20	120	113	160	58	75	105	16	4-14
25	25	125	107	160	68	85	115	16	4-14
32	32	130	113	160	78	100	140	18	4-18
40	40	140	130	250	88	110	150	18	4-18
50	50	150	146	250	102	125	165	20	4-18
65	65	170	176	350	122	145	185	20	4-18
80	80	180	222	350	138	160	200	22	8-18
100	100	190	300	400	158	180	220	24	8-18
125	125	325	325	600	188	210	250	26	8-18
150	150	350	350	600	212	240	285	26	8-23
200	200	400			268	295	340	30	12-23
250	250	450			320	355	405	32	12-27