



ARGO BROCHURE

RANGE AND ACCESSORIES CATALOGUE - SELECTION GUIDE

Operator

Radar

Control systems

Accessories

BFT. SAFE AND RELIABLE SOLUTIONS ANY TIME, ANYWHERE

2



Our Schio premises in Italy's Northeast stretch over 21,000 square metres, which include 15,000 sq m of indoor floor space. It is a modern facility that has recently been extended with the addition of two new buildings. Getting here is easy. From Verona's "Catullo" airport or Venice's "Marco Polo" airport or from the Milan/Venice A4 motorway: take the A31-Valdastico road, following the signs for Pivovene Rocchette. Take the Schio/Thiene exit and follow the signs for Schio's northern industrial estate "Zona Industriale. BFT have always believed in service as a key element in their dealings with customers. A widespread network of installers and professionals work nationwide and across the globe to promptly solve technical and business issues of any kind. The quality of each product is guaranteed by an exclusive warranty formula that covers the purchase for 24 months. Giving you lasting peace of mind for years to come.



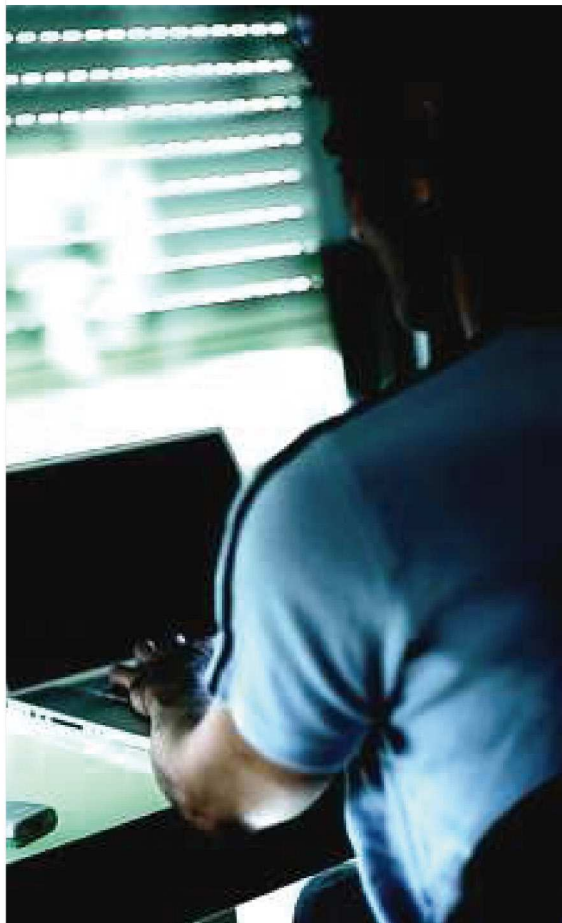
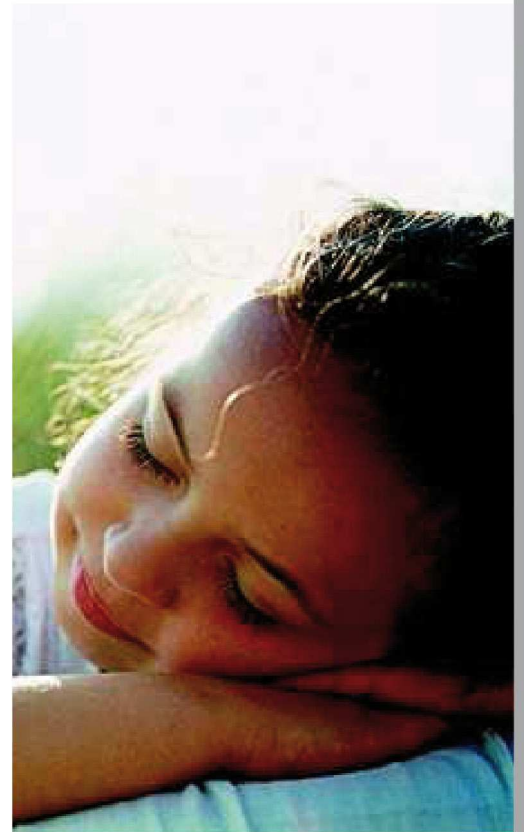
COMPANY CERTIFICATION



UNI EN ISO 9001-2000

Hinged on customer satisfaction, it specifies the total quality requirements of a company management system, with the aim of achieving better internal organization and improving relationships with stakeholders outside the company, with a focus on ensuring ISO 14001 customers receive increasingly efficient services.

BFT SpA's Environmental Management System was certified according to the standard UNI EN ISO 14001:1996 on 30/12/2003. BFT was awarded this company certification as a guarantee of its commitment to the environmental protection that always goes hand in hand with the development of a great company..



PRODUCT CERTIFICATIONS



CE

Compulsory European product self-certification that guarantees conformity with safety standard requirements



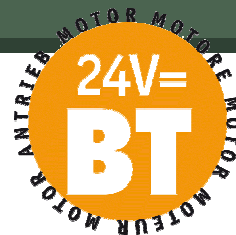
CSA

This certification guarantees product quality in compliance with certain standards that must be met for exports to be accepted into the North American market

ARGO

OPERATOR FOR SECTIONAL DOORS UP TO 20 M²

4



POWERFUL AND COMPACT

55Nm maximum torque with extremely compact dimensions:

The most powerful **24V** sectional door operator on the market.

Only 65mm from the base to the output axis: can be installed in any situation

ACCURATE AND RELIABLE

Limit switch and intermediate positioning controlled by **ABSOLUTE ENCODER** technology

24V technology and solid design: tested to guarantee maximum durability and reliability in any use conditions whether domestic, commercial or industrial.

SAFE AND IN-LINE WITH CURRENT REGULATIONS

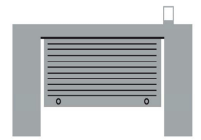
Control panel with microprocessor technology: thanks to simply automatic function settings, it guarantees **EUROPEAN STANDARD system CERTIFICATION**

Electronic torque, speed and slow-down control system

FAST AND UNIVERSAL

Maximum 30 rpm on 20 m² doors: the fastest operator on the market!

Extremely silent, easy to install, with an external steel cable-operated release system and attractive design. It is the ideal operator for a wide range of applications.



TECHNICAL SPECIFICATIONS

POWER SUPPLY	230Vac 50Hz
MOTOR POWER SUPPLY	24Vdc
MAXIMUM TORQUE	55Nm
OPERATING CYCLE	Heavy-duty
MAX. DOOR DIMENSIONS	20 m ²
MAXIMUM OUTPUT SHAFT SPEED	30 rpm
MAXIMUM OUTPUT SHAFT REVOLUTIONS	19
LIMIT SWITCH	Electronic with absolute encoder
PARTIAL OPENING	Adjustable position
ANTI-CRUSH	Electronic ampere-stop
OPERATING TEMPERATURE RANGE	-20°+55°C
RADIO-RECEIVER	Built-in

ADJUSTABLE FUNCTIONS

- Automatic closing (0-40 sec)
- Opening torque (0-99%)
- Closing torque (0-99%)
- Partial opening (1-99%)
- Zone localisation (0-127)
- Adjustable door closing output
- Adjustable door opening output (*on SCS IO board*)
- 3 or 4 step logic
- Pre-alarm
- Jog lock in opening
- Photocells only on in closing
- Gate open light
- 2nd radio channel (*on SCS IO board*)
- Photocell test (*on SCS IO board*)



AUTOMATIC ADJUSTMENTS (AUTOSET)

- Acceleration
- Opening slow-down distance
- Closing slow-down distance
- Opening speed
- Closing speed
- Opening torque
- Closing torque
- Safety operation testing

START COMMAND LOGIC

- | | |
|-------------------------|---------|
| 4 STEP LOGIC | |
| 1 st impulse | Opening |
| 2 nd impulse | Stop |
| 3 rd impulse | Closing |
| 4 th impulse | Stop |
| 3 STEP LOGIC | |
| 1 st impulse | Opening |
| 2 nd impulse | Stop |
| 3 rd impulse | Closing |

COMPONENTS AND ACCESSORIES

RADIO CONTROL SYSTEMS

Thanks to the built-in radio receiver (433MHz rolling code system with memory up to 64 remote controls), the ARGO operator can be controlled with new BFT wireless control systems:

- The **RB wall remote control guarantees maximum performance (up to 150mt in open field)** in an attractive design and extremely compact dimensions. Quick and easy to program, it can be either wall-mounted or used as a desk control
- The digital electronic **T-BOX keypad permits 100 user code management and the control of up to 10 operators**. This is provided through a backlit touch pad and 150 meter working capacity in open field.



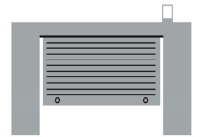
HARDWIRING CONTROL SYSTEMS

The new range of **SPC** control panels combines durability, simplicity and industrial design. Available in several versions to meet any need:

- SPC Start - Stop
- SPC2 Open - Close
- SPC3 Open - Stop - Close
- SPCE Emergency

The SPC range is combined with the **SEK** vandalism proof key selector in a metallic body.





FALCON - Microwave Radar



- Universal motion detector which can be installed up to 7 meters
- Vehicle/pedestrian distinction, rejecting parallel traffic
- REMOTE CONTROL programming
- Antenna with planar technology used for the first time in an automatic industrial door, able to provide high precision and stability in the detection field
- IP65



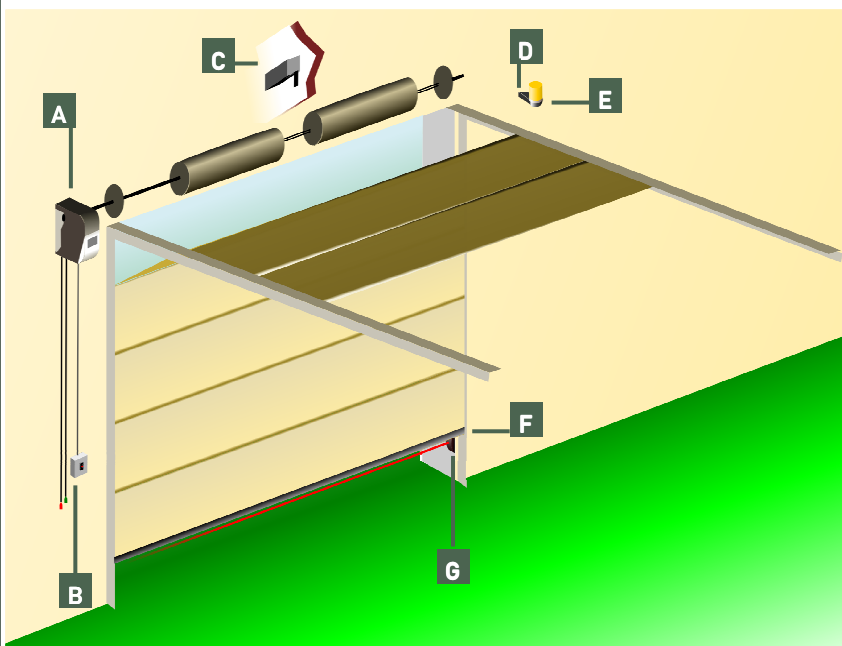
Example of installation

REMOTE CONTROL
Instrument employed to program the FALCON sensor by adjusting:

- Sensitivity
- Programming mode
- Immunity
- Relay output configuration



EXAMPLE OF A SYSTEM



Key :

A	ARGO	24V operator for sectional doors up to 20 m ²
B	SPC3	3 function pushbutton panel Open-Stop-Close
C	FALCON	Microwave radar with traffic direction reading and parallel traffic management
D	RWS	Wall support for RAY series flashing lights
E	RAY X	Flashing light with or without built-in antenna, available with 230V or 24V power supply
F	BAR C BA	Rubber safety edge with double lip to guarantee total insulation when the door is closed. Associated with VENTIMIGLIA NS, it guarantees the utmost door safety meeting European regulations (EN12978).
G	CELLULA 130	Infrared photocell



ITALIA
BFT S.P.A.

Via Lago di Vico 44
36015 Schio (Vi) /Italy
tel. +39 0445 69 65 11
Fax +39 0445 69 65 22
www.bft.it
e-mail: info@bft.it

GREAT BRITAIN
BFT AUTOMATION UK STD

Unit 8E, Newby Road
Industrial Estate
Hazel Grove, Stockport,
Cheshire, SK7 5DA - UK
tel. +44 (0) 161 4560456
fax +44 (0) 161 4569090
info@bftautomation.co.uk

FRANCE
AUTOMATISMES BFT FRANCE

Multiparc de Parilly
50 Rue Jean Zay, Bat C
69800 Saint Priest - France
tel. +33 (0)4 78 76 09 88
fax +33 (0)4 78 76 92 23
contacts@automatismes-bft-france.fr

GERMANY
BFT TORANTRIEBSSYSTEME GMBH

Faber Castel Strasse 29
D - 90522 Oberasbach - Germany
tel. +49 (0)911 766 00 90
fax +49 (0)911 766 00 99
service@bft-torantriebe.de

BELGIUM
BFT BENELUX SA

Parc Industriel 1
Rue du Commerce 12
1400 Nivelles - Belgium
tel. +32 (0)67 55 02 00
fax +32 (0)67 55 02 01
info@bftbenelux.be

CROATIA
BFT - ADRIA d.o.o.

Obrovac 39
51218 Drazice (Rijeka)
Hrvatska - Croatia
tel. +385 (0)51 502 640
fax +385 (0)51 502 644
info@bft.hr

POLAND
BFT POLSKA SP. Z.O.O.

ul. Kolacinska 35
03-171 Warszawa / Poland
tel. +48 22 814 12 22
fax +48 22 814 39 18
biuro@bft.com.pl

USA
BFT USA

BFT U.S., Inc.
6100 Broken Sound Pkwy, N.W.
Suite 14
Boca Raton, FL 33487, U.S.A.
T. +1 561.995.8155
F. +1 561.995.8160
info.bft@bft-usa.com

PORTUGAL
BFT SA-COMERCIO DE AUTOMATISMOS
E MATERIAL DE SEGURANCA

urbanização da pedrulha lote 9
apartado 8123
3020-305 Coimbra - Portugal
tel. +351 239 082 790
fax +351 239 082 799
geral@bftportugal.com

SPAIN
BFT GROUP ITALIBERICA DE AUTOMA-
TISMOS S.L.

Pol. Palou Nord
Sector F - C/Cami - Can Basa n° 6-8
08401 Granollers - (Barcelona) - Spain
tel. +34 938 61 48 28
fax +34 938 70 03 94
bftbcn@bftautomatismo.com

P.I. Comendador - C/
informatica, Nave 22 - 19200
Azuqueca de Henares
(Guadalajara) - Spain
tel. +34 949 26 32 00
fax +34 949 26 24 51
administracion@bftautomatismo.com

AUSTRALIA
BFT AUTOMATION AUSTRALIA PTY LTD

29, Bentley Street
Wetherill Park NSW 2164
Australia
Tel: +61 (0) 2 9757 0677
Fax: +61 (0) 2 9725 4225
info@bftaustralia.com.au
Www.bftaustralia.com.au